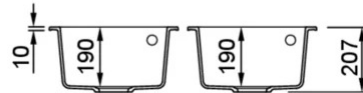
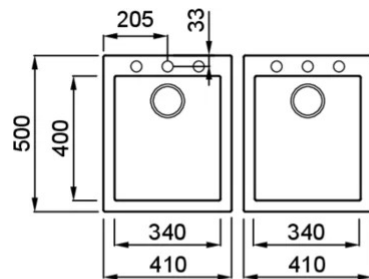


QUADRA 200



MÉRETRAJZ



JELLEG	2 medence
MODELL	QUADRA 200
SZEKRÉNYMÉRET (mm)	900
	munkalapra szerelhető
MOSOGATÓTÁLCA MÉRET (mm)	410 x 500 + 410 x 500
KIVÁGÁSI MÉRET (mm)	390 x 480 + 390 x 480 (minimum distance 50 mm)
MEDENCÉK SZÁMA	2



KERATEK



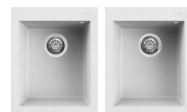
LKQ20086 K86
8031873020781



LKQ20093 K93
8031873027513



LKQ20095 K95
8031873027537



LKQ20096 K96
8031873020774



LKQ20097 K97
8031873027551



LKQ20099 K99
8031873027575

GRANITEK

METAL



LMQ20073 M73
8031873951061



LMQ20079 M79
8032557952954

GRANITEK

MATT



LGQ20040 G40
8032861046097



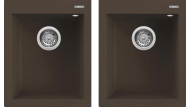
LGQ20043 G43
8032861042044



LGQ20048 G48
8032557030812



LGQ20068 G68
8031873053475



LGQ20078 G78
8032557067214

GRANITEK

CLASSIC



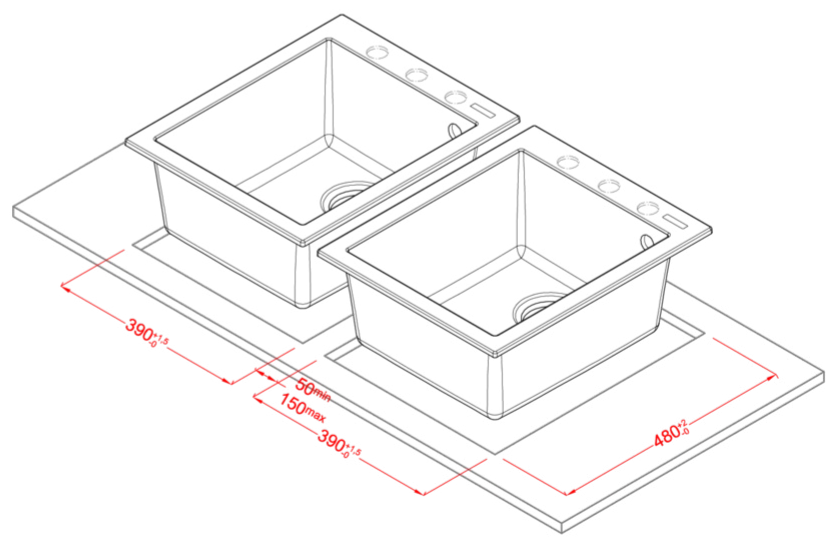
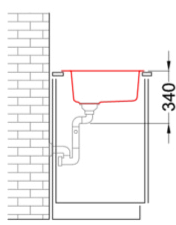
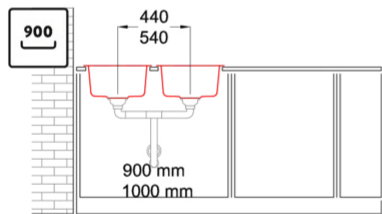
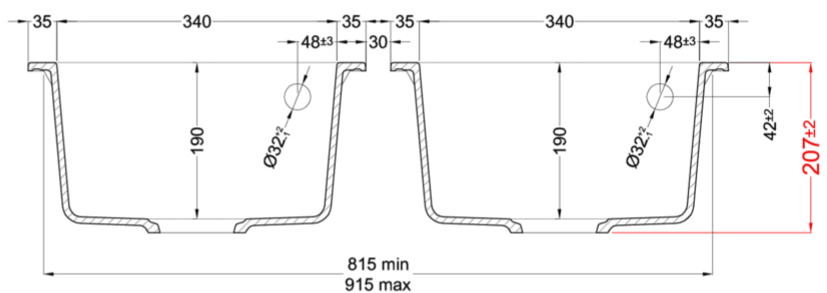
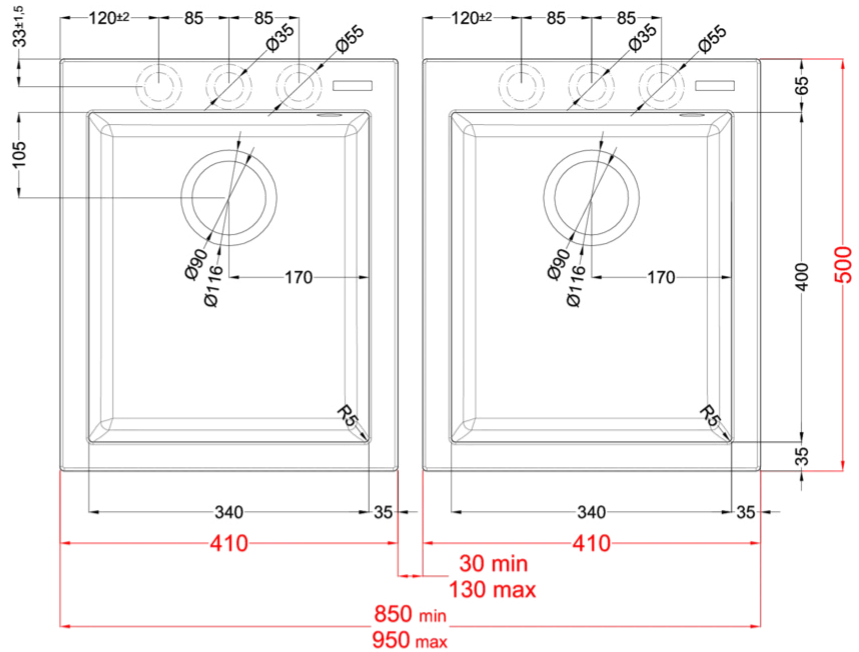
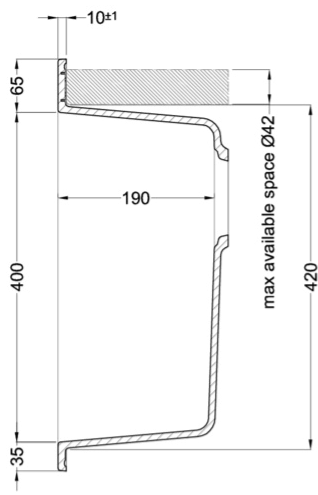
LGQ20051 G51
8031873053352



LGQ20059 G59
8031873053451



LGQ20062 G62
8031873053468



Quadra 200

general tolerances where not expressly communicated ±1 mm
connection dimensions according to UNI EN 695
eventual exception are reported with *

