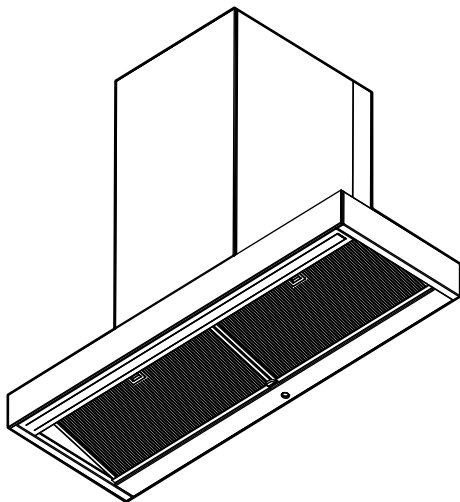


elica

ELICA HAIKU DRY FALI ELSZÍVÓ

EN Instruction on mounting and use
HU Felszerelési és használati utasítás



The product is designed for the extraction of cooking fumes and steam and it is for domestic use only.

Strictly observe the instructions in this manual. No liability shall be accepted for any inconvenience, damage or fire caused to the product as a result of not following the instructions given in this manual.

The device may have different aesthetic features with respect to the illustrations in this handbook, however the operating, maintenance and installation instructions remain the same.

- It is important to keep all the manuals accompanying the product so that they can be consulted at all times. If sold, transferred or moved, make sure it remains with the product.
- Read the instructions carefully: they contain important information on installation, operation and safety.
- Check the integrity of the product prior to its installation. Otherwise, contact the dealer and do not continue with the installation.

■ NOTES



: the parts marked with this symbol can be purchased separately from specialised dealers.



: the parts marked with this symbol are optional accessories supplied only with some models and can be purchased from the websites www.elica.com and www.shop.elica.com.

■ SAFETY AND REGULATIONS



GENERAL SAFETY

- Do not make electrical or mechanical changes on the product or on the exhaust pipes.
- Before doing any cleaning or maintenance work, disconnect the product from the mains power supply by removing the plug or turning off the mains switch.
- For all installation and maintenance operations, always wear work gloves.
- The product can be used by children over the age of 8 and by people with reduced physical, sensory or mental capabilities or without experience or the necessary knowledge, as long as they are properly supervised or have been instructed on how to safely use the device and understand the inherent dangers.
- Children must be supervised to make sure that they do not play with the product.
- Cleaning and maintenance must never be performed by children unless they are properly supervised.
- The room must have sufficient ventilation when the product is used at the same time as other appliances burning gas or other fuels.
- The product must be cleaned frequently both inside and out (AT LEAST ONCE A MONTH); always follow the instructions given in the maintenance manual.
- Failure to comply with the rules indicated for cleaning the product and replacing/cleaning the filters may result in the risk of fire.
- It is strictly forbidden

- to cook food on the flame under the product.
- **WARNING:**
 - When the hob is on, the accessible parts of the product may become hot.
 - Do not connect the product to the electrical power supply until the installation is complete.
 - The regulations laid down by local authorities must be strictly followed with regard to the technical and safety measures to adopt for fume extraction.
 - The extracted air must not be conveyed through the same ducts used to extract the fumes generated by gas combustion or other types of combustion products.
 - Do not use or leave the product without appropriately installed lamps, as this may result in the risk of electric shock.
 - The product must NEVER be used without the grille correctly fitted.
 - The product must NEVER be used as a support surface unless expressly indicated.

- Range hoods and other cooking fume extractors may adversely affect the safe operation of appliances burning gas or other fuels (including those in other rooms) due to back flow of combustion gases. These gases can potentially result in carbon monoxide poisoning. After installation of a range hood or other cooking fume extractor, the operation of flued gas appliances should be tested by a competent person to ensure that back flow of combustion gases does not occur.

- To replace the lamp, only use the lamp indicated in the maintenance/lighting system section of this manual.
- Using a naked flame may damage the filters and cause a fire hazard, and must therefore be avoided under all circumstances.
- Extra care must be taken when frying to prevent the oil from overheating and catching fire.
- In case of doubt, contact the authorised service centre or similar qualified personnel.



INSTALLATION SAFETY

- Use the fixing screws supplied with the product only if suitable for the surface; otherwise purchase the correct type of screws.
- Check for accessories (e.g. bags containing screws, warranty certificates, etc.) inside the product (placed there for transport reasons). If there are any, remove them and keep them safe.
- **WARNING:** Failure to install screws and fasteners in accordance with these instructions may result in electrical hazards.
- The exhaust pipe is not supplied and must be purchased.
- The diameter of the exhaust pipe must be equivalent to the diameter of the connecting ring.
- For installation of the product on the hob, respect the height indicated in the drawings.
- The minimum distance between the surface of the container supports on the cooker and the lowest part of the range hood must not be less than 50 cm (not less than 65 cm only for Australia and New Zealand) for electric cookers and 65 cm for gas or mixed cookers.
- If the installation instructions of the gas cooker specify a greater distance, take it into account.

ELECTRICAL CONNECTION SAFETY

•The mains voltage must correspond to the voltage indicated on the label found inside the product. •If it features a plug, connect the product to a socket that complies with current standards, located in an area accessible even after installation. •If it does not feature a plug (direct connection to the mains) or the plug is not located in an accessible area, even after installation, apply a standard double pole switch that ensures complete disconnection from the mains in category III overvoltage conditions, in accordance with the installation rules. •The product features a special power cable; if the cable is damaged, contact the Service Centre for a replacement.

● **Attention!** Before reconnecting the circuit to the mains power supply and making sure that it is working correctly, always check that the power cable is correctly installed.

Please note! Do not use with a programmer, timer, separate remote control or any other device that activates automatically.

■ RECOMMENDATIONS FOR USE

Recommendations for correct use in order to reduce the impact on the environment: When cooking begins, the device should be turned on at minimum speed, and left on for a few minutes even after cooking is complete. Increase the speed only if there is a large quantity of fumes and steam, using the Booster function only in extreme cases. To keep the odour reduction system running efficiently, replace the carbon filter/s when necessary. To ensure the high performance of the grease filter, clean it when necessary. To improve efficiency and minimise noise, use the maximum duct diameter indicated in this manual.

■ END-OF-LIFE DISPOSAL



This device is marked in compliance with the European Directive 2012/19/EC - UK SI 2013 No.3113, Waste Electrical and Electronic Equipment (WEEE). Make sure that this product is disposed of correctly. The user helps prevent potential negative consequences for the environment and for health.

The symbol on the product or accompanying documentation indicates that this product should not be treated as household waste but should be handed over at a suitable collection point for the recycling of electrical and electronic equipment. Dispose of it in accordance with local regulations for waste disposal. For further information about the treatment, recovery and recycling of this product, please contact your local authority, the collection service for household waste or the shop from where the product was purchased.

■ REGULATIONS

Equipment designed, tested and manufactured in compliance with safety regulations: EN/IEC 60335-1; EN/IEC 60335-2- 31, EN/IEC 62233. Performance: EN/IEC 61591; ISO 5167-1; ISO 5167-3; ISO 5168; EN/IEC

60704-1; EN/IEC 60704-2-13;EN/IEC 60704-3; ISO 3741; EN 50564; IEC 62301. EMC: EN 55014-1; CISPR 14-1; EN 55014-2; CISPR 14-2; EN/IEC 61000-3-2; EN/IEC 61000-3-3.

■ USE

The extraction system can be used in the duct-out version with external evacuation, or in the recirculating version with filtering and internal recirculation.

● Duct-Out Version:

Vapours are evacuated outside through an exhaust pipe attached to the connecting flange.

CAUTION! If the product features one or more carbon filters, they must be removed.

Connect the product to wall-mounted exhaust pipes and holes with a diameter equivalent to the air outlet (connecting flange).

The use of pipes and outlet holes in the wall with a smaller diameter will reduce the extraction performance and drastically increase the noise level.

All responsibility in this regard is therefore denied.

- Use a ducting pipe with the shortest length necessary.
- Use a ducting pipe with the least number of bends possible (maximum bend angle: 90°).
- Avoid drastic changes in the ducting pipe diameter.

● Recirculating Version:

The suctioned air will be degraded and deodorised before it is sent back into the room. To use the product in this version, it is necessary to install an additional activated carbon filter system.

■ ASSEMBLY BEFORE INSTALLATION

- Check that the product is the right size for the installation area.
- Remove the activated carbon filter(s) if supplied (see also relevant paragraph).
- It(they) must be reinstalled if the product is used in the filter version.
- If there are panels and/or walls and/or wall units on the sides, make sure that there is enough space to install the product and that it is always possible to access the control panel easily.
- The product is equipped with fixing plugs suitable for most walls/ceilings. However, it is necessary to consult a qualified technician to make sure that the materials are suitable for the type of wall/ceiling. The wall/ceiling must be strong enough to support the weight of the hood.

■ ELICA CONNECT

The hood features a Wi-Fi function for remote connection via the **Elica Connect** App. Minimum system requirements:

- 2.4GHz Wi-Fi b/g/n wireless router
- Android or iOS

Smartphone. Via the stores, check that the app is compatible with the operating system your Smartphone is running.

Note: The ELICA manufacturer declares that this model of household appliance with WiFi module radio equipment complies with Directive 2014/53/EU.

The radio equipment operates within the 2.4GHz ISM frequency band, the maximum radio frequency power transmitted does not exceed 20 dBm (e.i.r.p.).

Warnings:

- **Data protection:** The data that the connected device detects is collected to allow for all the services of the connected appliance to be used. Further information on how the collected data is processed and on the privacy policy is available at www.elica.com.
- **Availability in different countries:** The Elica Connect service is available in specific countries. For further information, see the dedicated section at www.elica.com or check for availability from your Smartphone store by searching for the **Elica Connect App**.
- **Future changes:** Elica reserves the right to make any changes deemed useful to improve the Elica Connect service. As a result, the descriptions contained in this manual are not binding and should be treated as purely indicative.

■ ELICA BLUETOOTH

The hood features the Bluetooth function.

It is an automatic function that connects the hob to a hood. Both the hob and the hood have a radio frequency signal communicator.

With the Bluetooth connection, the hood will adapt its operation to the cooking parameters of the induction hob.

The smart algorithm used in the devices accurately monitors the cooking intensity on the hob and, based on the data detected, selects the power of the hood.

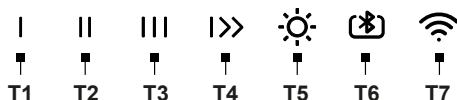
ATTENTION! For further information on how to use the function, see the "ASSEMBLY AND USE" manual of the hob compatible with the hood.

The connection between the **Hob and Hood** only works with **Elica** products. The range of compatible products is shown on the website www.elica.com.

ATTENTION!

- During the **Wi-Fi** pairing procedure of the hood with the **Cloud** via the **Elica Connect App**, the **Bluetooth** connection services with the hob are temporarily suspended.
- During the **Bluetooth** pairing procedure of the hood with the hob (or when the hob is switched off), the **Wi-Fi** connection services with the **Cloud** via the **Elica Connect App** are temporarily suspended.

■ OPERATION



T1 = ON (Speed 1) - OFF (motor) key - Exclusion of electronics (Cleaning mode).

- Exclusion of electronics (Cleaning mode)

This function can be useful when cleaning the product.

With the hood switched off, press **T1** for 2 seconds and it will start flashing quickly, while the other keys will start flashing slowly (electronics excluded).

To switch the electronics back on, press **T1** for 2 seconds.

When the **Cleaning mode** function is active, only the Lights key can be used (**T5**).

T2 = ON (Speed 2) - OFF (motor) key

T3 = ON (Speed 3) - OFF (motor) key

T4 = ON (Intensive Speed) - OFF (motor) key

Intensive: it lasts 5 minutes, after which it goes back to the previously selected setting. It is possible to exit this mode by pressing any button.

T5 = Light ON/OFF and Light intensity adjustment (Dimmer) key.

- **Light intensity adjustment (Dimmer):** with the light on, if you press **T5** for more than 2 seconds, an acoustic signal followed by the flashing of the LED will allow you to adjust the intensity of the light evenly and calibrated to the work surface.

T6 = Bluetooth function key.

The function is activated only with a hob compatible with the hood. For pairing, see the "**Assembly and Use**" manual of the Hob.

T7 = Wi-Fi connectivity key.

- Delayed switch-off of the hood (Delay switch off):

ATTENTION! This function is available only if the product is NOT connected to the **Elica Cloud**.

It is possible to set the delayed switch-off of the hood (**OFF**) by pressing once again the key of the extraction speed (power), active at that time with the LED flashing slowly, for more than 2 seconds, after which the hood switches off.

The available delayed switch-off times are:

T1= Extraction speed (power) **20 minutes**

T2= Extraction speed (power) **15 minutes**

T3= Extraction speed (power) **10 minutes.**

Please note!

- Briefly pressing the key set to **delay switch off** switches off the hood.
- Briefly pressing any key other than the key set to **delay switch off**, activates the set extraction speed.
- By long-pressing the key set to **delay switch off**, the hood maintains the speed but without timing.

Note: (only for products with **Wi-Fi** function): the **delay switch off** can be programmed in a more advanced way, when connected to the **Elica Cloud**, via the **Elica Connect App**.

CONTROLLING THE PRODUCT VIA BLUETOOTH (T6)

The hood can be paired with several hobs at the same time (max.2). For pairing, see the “**Assembly and Use**” manual of the Hob.

CONTROLLING THE PRODUCT VIA Wi-Fi (T7)

This feature allows the product to be controlled from a mobile device, even when away from home. To use the product via **Wi-Fi**, it is necessary to download the **Elica Connect App** and follow the instructions given.

- Wi-Fi Configuration:

Follow the instructions provided in the **Elica Connect App** for the **Wi-Fi** configuration. During the configuration procedure, the LED of key **T7** will light up indicating the connectivity status (see the **Wi-Fi** status table below).

To interrupt or reactivate the **Wi-Fi** configuration procedure, press **T7** for 6 seconds.

- Wi-Fi configuration reset:

This operation is used to reset the product to the factory configuration.

Press **T7** for 6 seconds; the status will be “not configured” and the LED of key **T7** will go out.

Note: The password and all other settings made from the **Elica Connect App** will be reset and will need to be set again.

- Wi-Fi On/Off:

after the configuration, the **Wi-Fi** can be switched on / off. Press **T7** for 2 seconds.

Note: switching off the **Wi-Fi** with this procedure does not result in the loss of the previously saved parameters.

Wi-Fi status table

T7 LED	Wi-Fi Status
Light off	Wi-Fi not configured or off
Orange light flashing fast	Entering the router credentials. Attention: there is a maximum time limit of 5 minutes to enter the credentials.
Steady orange light	Attempt to connect to the Wi-Fi router
White light flashing slowly	Attempt to connect to the Elica Cloud
White light on steady	Wi-Fi connected
White light on with short flashing light	Command received from Elica Cloud App: motor on or light on, etc.

Filter saturation indicator

The hood indicates when maintenance is needed for the filters.

Grease filter alarm (every 40 hours of use approximately):

- with the hood switched off, by pressing any speed, the keys **T1+T2** light up for **10 seconds**, indicating maintenance of the **grease filters**.

- After carrying out maintenance on the **grease filters**, it is necessary to **reset** by pressing keys **T1+T2** for **2 seconds** while the alarm is displayed.

- The reset operation is confirmed if the LEDs of keys **T1-T2** flash quickly and then go out.

To deactivate the grease Filter Alarm function, proceed as follows:

This alarm is normally **active**; to deactivate it, perform this procedure:

with the hood switched off, press and hold keys **T1-T2 -T3** at the same time: LEDs **T1 T2 and T3** will light up with different intensities from bright to soft; you will enter the management menu of the **grease Filter alarm**, to deactivate it press keys **T1-T2** at the same time for **2 seconds**.

Please note! The function is deactivated if **T2** has LED with a soft light; if the light of LED **T2** is bright, the operation must be repeated.

To reactivate the **grease Filter Alarm** function, repeat the operation.

Activated carbon odour Filter Alarm (every 160 hours of use approximately):

- with the hood switched off, by pressing any speed, the keys **T1+T3** light up for **10 seconds**, indicating maintenance of the **activated carbon filters**.

- After carrying out maintenance on the **activated carbon filters**, it is necessary to **reset** by pressing keys **T1+T3** for **2 seconds** while the alarm is displayed.

- The reset operation is confirmed if the LEDs of keys **T1-T3** flash quickly and then go out.

Activation of activated carbon odour Filter Saturation alarm.

This alarm is normally **deactivated**.

To activate it, proceed as follows:

with the hood switched off, press and hold keys **T1-T2 -T3** at the same time: LEDs **T1 T2 and T3** will light up with different intensities from bright to soft; you will enter the activation menu of the **activated carbon odour filter saturation** indicator function, to activate it press keys **T1-T3** at the same time for **2 seconds**.

Please note! The function is active if **T3** has LED with a bright light; if the light of LED **T3** is soft, the operation must be repeated.

- To deactivate the **activated carbon odour Filter Saturation** function, repeat the operation.

■ MAINTENANCE WARNINGS

- **Cleaning:** For cleaning, simply use a cloth moistened with neutral liquid detergents. Do not use cleaning tools or instruments.
- Avoid the use of abrasive products. **DO NOT USE ALCOHOL!**



For product maintenance, see the images at the end of the installation marked by this symbol.



• **A Anti-Grease Filter:** The metallic anti-grease filter must be cleaned once a month with non-aggressive detergents, manually or in a dishwasher on a short wash at low temperatures. To remove the anti-grease filter, pull the spring release handle.

- The Anti-Grease Filter traps the grease particles produced during cooking. When cleaned in the dishwasher, the metal grease filter may discolour, but its filtering characteristics remain unchanged.



• **B Carbon filter (for filter version only):** The cartridge must be replaced at least every four months. It CANNOT be washed or regenerated. As indicated in the drawings section: remove the anti-grease filters, apply a carbon filter on each side and attach it to the product. Put the anti-grease filters back in place.

- The carbon filter retains any unpleasant odours produced during cooking.
- The saturation of the carbon filter can occur after somewhat prolonged use depending on the type of cooking and how regularly the grease filter is cleaned.



• **B Washable activated carbon filter (for filter version only):**

The carbon filter can be washed every two months (or when indicated by the filter saturation system - if included in your model). As indicated in the drawing section: remove the grease filter, remove the carbon filter and wash using hot water and suitable detergents or in a dishwasher at 65°C (if washing in a dishwasher, carry out the complete washing cycle without dishes inside). Remove any excess water without damaging the filter, then place it in the oven for 10 minutes at 100°C to dry it out completely. Put the anti-grease filters back in place.

Replace the foam layer every 3 years and each time the cloth appears damaged.



• **D Maintenance of the condensation drip tray**

The tray should be emptied and cleaned AT LEAST once a week or more frequently depending on the use of the hood.

1. Place a container under the drain hole.
2. Press the tab down to open the drain and empty the condensation.
3. Dispose of the liquid collected.



• **N Maintenance of BE SILENCE panels:** this is a revolutionary product designed to reduce noise in extraction systems.

The patented surface layer features mechanical properties that absorb sound waves and guarantee the best performance. The acoustic panels are made from recycled materials.

Easy of use and maintenance: The panels are easy to install and maintain thanks to the built-in magnet.

They can be removed without tools and they can be washed by hand using neutral detergents.

After washing, they must be left to dry in a well-ventilated place.

Important: the Panels must be completely dry before they are reinstalled in the appliance.

■ Illumination

• The lighting system is based on LED technology. LEDs provide optimal illumination, last up to 10 times longer than conventional lamps and save 90% of electricity.

• **Lighting system :** The lighting system cannot be replaced by the user, contact Customer Service in case of malfunction.


A terméket a főzés közben keletkező pára és gőzök elszívására tervezték és csak háztartási használatra.

A kézikönyvben leírtakat szigorúan tartsa be. Nem vállalunk felelősséget a jelen kézikönyvben összefoglalt utasítások be nem tartása miatt a termékekben bekövetkező hibákért, károkért vagy tüzesetekért.

A készülék esztétikailag elérhető a kézikönyvben található rajzoktól, de a használati, karbantartási és telepítési utasítások nem változnak.

• Fontos, hogy a termékhez mellékelte összes kézikönyvet mindig megőrizze, hogy konzultálás céljából bármikor fellapozhassa őket. Eladás, átadás vagy áttelepítés esetén győződjön meg róla, hogy a kézikönyvet a készülékkel együtt adja át. • Figyelmesen olvassa el az utasításokat: fontos beszerelési, használati és biztonsági információkat tartalmaz. • Ellenőrizze a termék épségét, mielőtt hozzákezdene a beszereléshez. Ellenkező esetben vegye fel a kapcsolatot a viszonteladóval és ne szerelje be a készüléket.

■ MEGJEGYZÉSEK

: az ezzel a szimbólummal jelölt részek külön megvásárolhatók az erre specializálódott viszonteladóknál.

*: az ezzel a szimbólummal jelölt részek opcionális tartozékok, melyek csak némely modell esetében képezik a felszereltség részét, és amelyek megvásárolhatók a www.elica.com és www.shop.elica.com weboldalakon.

■ BIZTONSÁG ÉS ELŐÍRÁSOK

ÁLTALÁNOS BIZTONSÁG

• Ne végezzen elektromos vagy mechanikai módosításokat a terméken vagy a kivezető csöveken. • Mindenféle tisztító vagy karbantartó folyamat előtt húzza ki a terméket az elektromos hálózatról a csatlakozódugóval vagy az otthoni főkapcsoló lekapcsolásával. • Minden telepítési vagy karbantartási folyamathoz viseljen munkavédelmi kesztyűt. • A terméket 8 évnél nem fiatalabb gyermekek és csökkent fizikai, érzékszervi vagy mentális képességekkel rendelkező, vagy tapasztalatlan, vagy a szükséges ismeretekkel nem rendelkező személyek csak akkor használhatják, ha felügyelet alatt vannak vagy ha megkapták a készülék biztonságot használataival és a benne rejlő veszélyek megértésével kapcsolatos utasításokat. • Ügyeljen arra, hogy a gyermekek ne játsszanak a termékkel. • A tisztítási és karbantartási műveleteket gyermekek csak felügyelet mellett végezhetik. • A helyiségben megfelelő szellőztetés legyen, amikor a termék más gáz vagy tüzelőberendezéssel egyidejűleg használja. • A terméket gyakran tisztítsa mind belül, mind kívül (LEGALÁBB HAVI EGYSZER), mindenképp tartsa be a karbantartási utasításokban leírtakat. • A termék tisztítási,

valamint a szűrők tisztítási és a cseréjükre vonatkozó szabványainak nem betartása tűzveszélyt okozhat. • Szigorúan tilos az ételeket nyílt lángon főzni a termék alatt. • FIGYELEM: Amikor a főzőlap működésben van, a termék hozzáférhető részei felforrósodhatnak. • Ne csatlakoztassa a terméket az elektromos hálózathoz, amíg a telepítést nem fejezte be. • Ami a füstelvezetéssel kapcsolatos műszaki és biztonsági intézkedéseket illeti, kifejezetten tartsa be a felelős helyi hatóságok szabályait. • A beszívott levegőt ne engedje gáztüzelésű vagy egyéb üzemenyaggal működő berendezések füstelszívó csatornájába. • Ne használja és ne hagyja a terméket megfelelően felszerelt lámpák nélkül, az áramütés veszélye miatt. • A terméket SOHA nem szabad helyesen felszerelt rács nélkül használni. • A termékét SOHA nem szabad támasztófelületként használni, hacsak kifejezetten nem jelezzük.

• A lámpacseréhez csak a jelen kézikönyv karbantartás/világítási rendszer című fejezetében megadott lámpatípust használja. • Nyílt láng használata a szűrők számára káros és tüzet okozhat, ezért minden esetben kerülje azt. • Felügyelet mellett süssön olajban, hogy elkerülje, hogy az olaj túlforrósodva tüzet fogjon. • Kétség esetén forduljon a hivatalos szervizközpontozhoz vagy hasonlóan képzett szakemberhez.

A TELEPÍTÉS BIZTONSÁGA

• Csak akkor használja a termékhez kapott rögzítőcsavarokat, ha azok megfelelnek a felületnek, különben vásárolja meg a megfelelő típust. Ellenőrizze, hogy a termékben ne legyen (a szállítás miatt) csomagolóanyag (mint például zacskó csavarral, jótállás stb.), ezeket vegye ki és őrizze meg. • FIGYELMEZTETÉS: A csavarok és rögzítő elemek nem az útmutató szerinti felhelyezésének hiánya elektromos veszélyt okozhat. • A kivezető cső nem a felszereltség része és külön meg kell vásárolni. • A kivezető cső átmérője legyen a csatlakozógyűrű átmérőjével azonos. • A termék főzőlapra történő felszereléséhez kövesse a rajzokon feltüntetett magasságot. • A főzőeszközön lévő edények támasztó felülete és a páraelszívó legalacsonyabb része közötti minimális távolságnak legalább 50 cm kell lennie elektromos és 65 cm gáz- vagy vegyes tüzelésű tűzhelyek esetén. • Ha a gáztűzhely telepítési útmutatója nagyobb távolságot határoz meg, azt figyelembe kell venni.

AZ ELEKTROMOS CSATLAKOZÁS BIZTONSÁGA

• A hálózati feszültségnek meg kell egyeznie a termék belsejében található címkén feltüntetett feszültséggel. • Ha dugóval van ellátva, csatlakoztassa a terméket az aktuális előírásoknak megfelelő aljzathoz, amely a beépítés után is hozzáférhető helyen található. • Ha nincs dugó (közvetlen csatlakozás az elektromos hálózathoz), vagy ha a dugó még a felszerelés után sem helyezkedik el hozzáférhető

helyen, akkor alkalmazzon egy szabványos bipoláris kapcsolót, amely a III. kategóriájú túlfeszültség esetén teljes hálózati leválasztást biztosít, a telepítés szabályainak megfelelően. • A termék speciális tápkábelrel van felszerelve; ha a kábel megsérült, kérjen újat a műszaki ügyfélszolgálatától.

● **Figyelem!** Mielőtt visszakötné a készüléket az elektromos hálózatra, ellenőrizze a készülék helyes működését, minden esetben ellenőrizze, hogy a tápkábel helyesen lett-e beszerelve.

Figyelem! Ne használja programozóval, időzítővel, külön távirányítóval vagy bármilyen más, automatikusan aktiválódó eszközzel.

■ A HASZNÁLATRA VONATKOZÓ JAVASLATOK

A helyes használat a környezetszennyezés csökkentése érdekében: Amikor főzni kezd, akkor kapcsolja be a készüléket minimális sebességen, hagyja néhány percen keresztül bekapcsolva a főzés után is. A sebességet csak nagy mennyiségű füst és gőz esetén növelje a booster funkcióval csak különleges esetekben. A szagelszívó rendszer hatékonyságának megőrzése érdekében szükség esetén cserélje ki a szénzsűrő(ke)t. A zsírszűrő hatékonyságának megtartása érdekében szükség esetén cserélje ki. A hatékonyság optimalizációja és a zajcsökkentés érdekében használja a kézikönyvben megadott maximális átmérőjű csatornarendszert.

■ ÁRTALMATLANÍTÁS AZ ÉLETTARTAM VÉGÉN

Ez a készülék a 2012/19/EK európai irányelvnek, valamint a UK SI 2013 No.3113, Waste Electrical and Electronic Equipment (WEEE) angol jogszabálynak megfelelően van jelölve. Győződjön meg arról, hogy a terméket megfelelően ártalmatlanítja. A felhasználó hozzájárul a környezetre és az egészségre vonatkozó, lehetséges negatív következmények megelőzéséhez.



A terméken, vagy az azt kísérő dokumentáción szereplő jelölés jelzi, hogy ez a termék nem kezelhető háztartási hulladékként, hanem az elektromos és elektronikus készülékek újrahasznosítására szakosodott megfelelő begyűjtő helyre kell szállítani. Ártalmatlanítását a helyi hulladékgazdálkodási szabályoknak megfelelően végezze. Ha részletesebb tájékoztatásra van szüksége a termék újrahasznosítására vonatkozóan, kérjük, lépjen kapcsolatba a helyi önkormányzattal, a háztartási hulladékok kezelését végző szolgáltattal vagy azzal a bolttal, ahol a terméket vásárolta.

■ SZABVÁNYOK

A biztonsági előírásoknak megfelelően tervezett, tesztelt és gyártott berendezés: EN/IEC 60335-1; EN/IEC 60335-2-31, EN/IEC 62233. Teljesítmény: EN/IEC 61591; ISO 5167-1; ISO 5167-3; ISO 5168; EN/IEC 60704-1; EN/IEC 60704-2-13; EN/IEC 60704-3; ISO 3741; EN 50564; IEC

62301. EMC: MSZ EN 55014-1; CISPR 14-1; MSZ EN 55014-2; CISPR 14-2; MSZ EN/IEC 61000-3-2; MSZ EN/IEC 61000-3-3.

■ HASZNÁLAT

Az elszívőrendszert beszívó vagy külső üritő illetve szűrős belső keringtető verzióban is lehet használni.

● Szívó változat:

A gőzök a csatlakozó karimához csatlakoztatott elvezető csővön keresztül távoznak a szabadba.

FIGYELEM! Ha a termék szénszűrővel (szűrővel) van felszerelve, akkor ezt (ezeket) el kell távolítani.

A levegő kimenetnek megfelelő átmérővel (csatlakozó karima) csatlakoztassa a terméket a tömlőkhöz és a kieresztő lyukakhoz.

Kisebb átmérőjű tömlők és fali kieresztő lyukak csökkentik az elszívó teljesítményt és drasztikusan növelik a zajszintet.

Erre vonatkozó minden felelősség kizárt.

- Használja a szükséges legrövidebb hosszat.
- A lehető legkevesebb mennyiségű kanyart használja (a kanyarok maximális szöge: 90°).
- Kerülje a csatornaszakaszban a drasztikus cseréket.

● Szűrő változat:

Az elszívott levegőt zsírtalanítják és szagtalanítják, mielőtt visszavezetik a helyiségbe. A termék ebben a változatban történő használatához további aktívzsenes szűrőrendszert kell felszerelni.

■ SZERELÉS ELSŐ TELEPÍTÉS

- Ellenőrizze, hogy a megvásárolt termék a beszerelésre kiválasztott zóna méretének megfelelő-e.
- Távolítsa el az aktívzsenes szűrő(ke)t, ha van (lásd a vonatkozó bekezdést is).
- Ezt (ezeket) csak akkor kell újra felszerelni, ha a terméket a szűrő változatban kívánja használni.
- Oldalpanelek és/vagy falak és/vagy fali egységek esetén ellenőrizze, hogy elegendő hely áll-e rendelkezésre a termék felszereléséhez, és hogy a kezelőpanelhez mindig könnyen hozzá lehet-e érni.
- A termék a legtöbb fal/mennyezet típusához alkalmas rögzítődübelekkel van ellátva. A fal/mennyezet típusától függően azonban szakképzett szakemberrel kell konzultálni az anyagok alkalmasságának megállapítása érdekében. A falnak/mennyezetnek elég erősnek kell lennie ahhoz, hogy elbírja a motorháztető súlyát.

■ ELICA CONNECT

Az elszívó WiFi funkcióval rendelkezik, amely távoli kapcsolatot biztosít az **Elica Connect** applikáción keresztül. Minimális rendszerkövetelmény: • 2,4GHz WiFi

b/g/n vezeték nélküli router • Smartphone Android vagy iOS. Ellenőrizze az app store-ban az applikáció kompatibilitását az okostelefon operációs rendszerével.

Megjegyzés: Az ELICA gyártó kijelenti, hogy a WiFi rádiómodulus háztartási készülék megfelel a 2014/53/EU irányelvnek.

A rádióberendezés a 2,4 GHz-es ISM frekvenciasávban működik, a maximális továbbított rádiófrekvencia-teljesítmény nem haladja meg a 20 dBm-t (e.i.r.p.).

Figyelmeztetések:

- **Adatvédelem:** A csatlakoztatott készülék által észlelt adatokat összegyűjtése annak érdekében történik, hogy a csatlakoztatott készülék összes szolgáltatása felhasználható legyen. Az adatkezeléssel kapcsolatos további információ megtalálható a www.elica.com honlapon.

- **Elérhető az alábbi országokban:** Az Elica Connect szolgáltatás bizonyos országokban érhető el. További információkért látogasson el az www.elica.com weboldal erre a célra fenntartott részébe, vagy ellenőrizze az elérhetőséget az okostelefonján az **Elica Connect** alkalmazás segítségével.

- **Későbbi módosítások:** Elica fenntartja a jogot az Elica Connect szolgáltatás fejlesztéséhez hasznosnak vélt módosítások végrehajtására. Ezért a jelen kézikönyvben található leírások nem kötelező erejűek és tájékoztató jellegűek.

■ ELICA BLUETOOTH

A páraelszívó Bluetooth funkcióval rendelkezik.

Ez egy olyan automata funkció, amelyik a főzőlapot összeköti a páraelszívóval. Mind a főzőlap, mind a páraelszívó rendelkeznek rádiófrekvenciás jeladóval.

A Bluetooth csatlakozás révén a páraelszívó az indukciós főzőlap főzési paramétereire igazítja a működését.

A készülékekben alkalmazott intelligens algoritmus pontosan figyeli a főzőlapon a főzés intenzitását, és a beolvasott adatok alapján választja ki a páraelszívó teljesítményét.

FIGYELEM! A funkció használatával kapcsolatos további információkért kérjük, olvassa el a páraelszívóval kompatibilis főzőlap „BESZERELÉS ÉS HASZNÁLAT” című kézikönyvét.

A **Főzőlap és az Elszívó** csatlakozása csak Elica termékekkel működik. A kompatibilis termékek készlete megtalálható a www.elica.com oldalon.

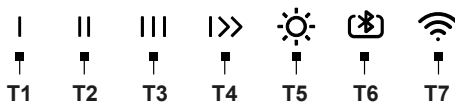
FIGYELEM!

- A páraelszívó és a **Cloud Wi-Fi** csatlakoztatási eljárása során az **Elica Connect alkalmazáson** keresztül a főzőlappal való **Bluetooth** csatlakozás szolgáltatásai átmenetileg felfüggesztésre kerülnek.

- A páraelszívó és a főzőlap **Bluetooth** csatlakoztatási eljárása során (vagy ha a főzőlap ki van kapcsolva), az **Elica Connect alkalmazáson** keresztül a **Cloud**dal való

WiFi-kapcsolat szolgáltatásai ideiglenesen felfüggesztésre kerülnek.

■ MŰKÖDÉS



T1 = ON gomb (1. sebesség) - **OFF** (motor) - **Elektronika kiiktatása (Cleaning mode).**

- **Elektronika kiiktatása (Cleaning mode)**

Ez a funkció a termék tisztítási művelete során lehet hasznos.

Amikor a páraelszívó ki van kapcsolva, a **T1** gomb 2 másodpercig történő megnyomásával a gomb gyorsan villogni kezd, míg a többi gomb lassan villogni kezd (az elektronika ki van kapcsolva).

Az elektronika visszakapcsolásához nyomja meg a **T1** gombot 2 másodpercre.

Amikor a **Cleaning mode** aktív, csak a **Fények (T5)** gombot lehet használni.

T2 = ON gomb (2. sebesség) - **OFF** (motor)

T3 = ON gomb (3. sebesség) - **OFF** (motor)

T4 = ON gomb (Intenzív sebesség) - **OFF** (motor)

Intenzív: 5 percig tart, majd visszatér a korábban kiválasztott beállításra. Ebből az üzemmódból bármelyik billentyű megnyomásával kiléphet.

T5 = Fény ON/OFF és Fény intenzitás szabályozása (Dimmer) gomb.

- **Fény intenzitás szabályozása (Dimmer):** amikor a fény be van kapcsolva, a **T5** gomb 2 mp-nél hosszabb ideig történő megnyomásával egy hangjelzés, majd a LED villogása lehetővé teszi a fényerősség egyenletes beállítását és a munkafelülethez való kalibrálását.

T6 = Bluetooth funkció gomb.

A funkció csak a páraelszívóval kompatibilis főzőlapon aktiválható. A csatlakoztatást lásd a főzőlap **"Beszerelés és használat"** c. kézikönyvében.

T7 = Wi-Fi csatlakoztatási gomb.

- **A páraelszívó késleltetett kikapcsolása (Delay switch off):**

Figyelem! Ez a funkció csak akkor érhető el, ha a termék **NINCS** a **Cloud Elica**-hoz csatlakoztatva.

Lehetőség van a páraelszívó késleltetett kikapcsolásának (**OFF**) beállítására, ha az adott pillanatban aktív szivási sebesség (teljesítmény) gombját 2 másodpercnél hosszabb ideig ismét megnyomja, a LED lassan villog, majd a páraelszívó kikapcsol.

A rendelkezésre álló késleltetett kikapcsolások a következők:

T1= Elszívási sebesség (teljesítmény) **20 perc**

T2= Elszívási sebesség (teljesítmény) **15 perc**

T3= Elszívási sebesség (teljesítmény) **10 perc.**

Figyelem!

- Ha röviden megnyomja a **delay switch off**-ra állított gombot, az elszívó kikapcsol.

- Ha röviden megnyomja bármelyik, de az előzőleg **delay switch off**-ra állítottól eltérő gombot, aktiválódik a beállított elszívási sebesség.

- Ha hosszan megnyomja a **delay switch off**-ra állított gombot, az elszívó megtartja a sebességet, időzítés nélkül.

Megjegyzés: (csak **Wi-Fi** funkcióval rendelkező termékek esetében) a **kikapcsolási késleltetés (delay switch off)** az **Elica Connect** alkalmazáson keresztül, az **Elica Cloud**hoz csatlakozva fejlettebb módon programozható.

A TERMÉK VEZÉRLÉSE BLUETOOTH-AL (T6)

Az elszívót egyszerre több főzőlappal társíthatja (max. 2). A csatlakoztatást lásd a **főzőlap "Beszerelés és használat"** c. kézikönyvében.

A TERMÉK VEZÉRLÉSE Wi-Fi-vel (T7)

Ez a funkció lehetővé teszi a termék mobiltelefonról történő vezérlését, még akkor is, ha nem tartózkodik otthon. A termék **Wi-Fi** révén történő használata érdekében le kell tölteni az **Elica Connect** alkalmazást és követni kell a jelzett útmutatásokat.

- Wi-Fi konfiguráció:

A **Wi-Fi** konfigurálásához kövesse az **Elica Connect alkalmazásban** foglalt útmutatásokat. A konfigurálási eljárás során a **T7** gomb led jelzőfénye felgyullad, jelezve a csatlakozás állapotát (lásd a lent **Wi-Fi** állapotot bemutató táblázatot).

A **Wi-Fi** konfigurálási eljárás megszakítása vagy újbóli aktiválása érdekében nyomja meg a **T7** gombot 6mp-ig.

- Wi-Fi konfiguráció visszaállítása:

Ez a művelet a termék gyári konfigurációjának visszaállítására szolgál.

Nyomja meg a **T7** gombot 6 másodpercig, az állapot nem lesz konfigurálva, és a **T7** gombon lévő LED kikapcsol.

Megjegyzés: A jelszó és az **Elica Connect** elvégzett összes többi beállítás visszaáll, és újra be kell azokat állítani.

- Wi-Fi be-/kikapcsolása:

A konfigurálás elvégzése után hozzá lehet férni / ki lehet kapcsolni a **Wi-Fi**-t.

2Mp-is nyomja a **T7** gombot.

Megj.: a **Wi-Fi**-nek ezzel az eljárással történő kikapcsolása nem vonja maga után a korábban elmentett paraméterek elvesztését.

WiFi állapot táblázat

T7 LED	Wi-Fi állapot
Nem világító fény	Wi-Fi noncs konfigurálva vagy ki van kapcsolva

T7 LED	Wi-Fi állapot
Gyors pulzáló naranccsárga fény	Router azonosító adatainak bevitel. Ügyeljen az azonosító adatok becsatlakozásra, max. 5 perc áll rendelkezésre.
Folyamatos naranccsárga fény	Kísérlet a Wi-Fi routerhez való csatlakozásra
Lassan pulzáló fehér fény	Csatlakozási próbálkozás az Elica Cloudhoz
Állandó fehér fény	Wi-Fi csatlakoztatva
Fehér fény rövid pulzáló fényvel	Parancs fogadása az Elica Cloud alkalmazásból: motor vagy fény bekapcsolása stb...

Szűrő telítettség kijelző

A páraelszívó jelzi, ha el kell végezni a szűrők karbantartását.

Zsírészívő riasztás (kb. 40 óránként):

- amikor a páraelszívó bármelyik sebesség megnyomásával kikapcsol, a **T1+T2** gombok **10 másodperc**re felgyulladnak, jelezve a **zsírészívő** karbantartását.

- A **zsírészívő** karbantartása után a visszaállítást a **T1+T2** billentyűk **2 másodperc**ig történő megnyomásával kell elvégezni, miközben a riasztás megjelenik.

- Az alaphelyzetbe állítási művelet megerősítése, ha a **T1-T2** gombok led-jei gyorsan villognak, majd kialszanak.

A Zsírészívő riasztás funkció kikapcsolásához az alábbiak szerint kell eljárni:

Ez a riasztás általában **aktív**, kikapcsolásához ezt az eljárást kell követni:

kikapcsolt páraelszívó mellett és a **T1-T2-T3** gombokat hosszú ideig egyidejűleg lenyomva tartva, az **T1 T2 és T3** ledek különböző intenzitással világítanak, az intenzitástól a halvány fényig, belép a **Zsírészívő riasztás** funkció kezelési menüjében, kikapcsolásához nyomja meg a **T1 - T2** gombokat egyidejűleg **2 másodperc**ig.

Figyelem! A funkció kikapcsol, ha a **T2** gomb **ledje** halványan világít; ha az **T2 led** intenzíven világít, ismétlje meg a műveletet.

A **Zsírészívő riasztás funkció** újbóli aktiválásához ismétlje meg a műveletet.

Aktív szénészívővel működő zsírészívő riasztás (kb. 160 használati óránként):

- ha a páraelszívó ki van kapcsolva, bármelyik sebesség megnyomásával a **T1+T3** gombok **10 másodperc**re bekapcsolnak, jelezve az **aktív szénészívő** karbantartását.

- Az **aktív szénészívő** karbantartása után a **T1+T3** gombok **2 másodperc**ig történő megnyomásával **alaphelyzetbe állítást** kell végezni, miközben a riasztás megjelenik.

- Az alaphelyzetbe állítási művelet megerősítése, ha a T1-T3 gombok led-jei gyorsan villognak, majd kialszanak.

Aktív szénnel működő Szagszűrő telítettség riasztás aktiválása.

Ez a riasztás általában **ki van kapcsolva**.

A bekapcsoláshoz a következőképp járjon el:

Kikapcsolt páraelszívó mellett nyomja meg és hosszú ideig, egyidejűleg tartsa lenyomva a T1-T2 -T3 gombokat, az T1 T2 és T3 ledek különböző intenzitással világítanak az intenzitívól a halványig, belép az **aktív szénnel működő szagszűrő telítettségjelző** funkció aktiválási menüjébe, aktiválásához egyidejűleg nyomja meg a T1 - T3 gombokat **2 másodpercig**.

Figyelem! A funkció aktív, ha a T3 gomb **ledje** intenzíven világít; ha az T3 led halványan világít, ismétlje meg a műveletet.

- Az **aktív szénnel működő szagszűrő telítettség** funkció kikapcsolásához ismétlje meg a műveletet.

■ KARBANTARTÁSI FIGYELMEZTETÉSEK

• **Tisztítás:** A tisztításhoz kizárólag semleges folyadékkal megnedvesített ruhát használjon. Ne használjon tisztító eszközöket vagy szerszámokat.

• Kerülje a súrolóanyagokat tartalmazó termékeket. NE HASZNÁLJON ALKOHOLT!



A termék karbantartásához lásd a telepítés végén lévő, ezzel a szimbólummal jelölt képeket.



• **XA Zsirszűrő:** A fém zsirszűrőt havonta egyszer enyhe mosószerrel, kézzel vagy mosogatógépbén, alacsony hőmérsékleten és rövid ciklusban kell megtisztítani. A zsirszűrő leszereléséhez húzza meg a rugós kikapasztó nyitókart.

• A zsirszűrő megfogja a főzésből származó zsírrészecskéket. Mosogatógépbén mosáshoz a fém szírtalanító szűrő színét vesztheti, de a szűrő tulajdonságai egyáltalán nem változnak.



• **XB Szénszűrő (csak a szűrő verzióhoz):** Legfeljebb négy havonta ki kell cserélni a patront. NEM lehet kimosni vagy regenerálni. Mint ahogy az a rajzok szakaszban jelölt: vegye ki a zsirszűrőket, tegyen be oldalanként egy szénszűrőt és akassza a termékre. Tegye vissza a zsirszűrőket.

• A szénszűrő megfogja a főzésből származó kellemetlen szagokat. • A szénszűrő telítettsége a főzés módjától és a zsirszűrő tisztításának gyakoriságától függően, hosszabb használat után következik be.



• **XB Mosható aktív szénszűrő (csak a szűrős változathoz):**

a szénszűrőt két havonta lehet mosni (vagy amikor a szűrők telítettségét jelző rendszer - ha van ilyen a saját modellen - jelzi ennek szükségességét). A rajzokat

tartalmazó szakaszban leírtak szerint: távolítsa el a zsirszűrőket, vegye ki a szénszűrőt, és mossa ki forró vízben és megfelelő mosószerrel vagy mosogatógépbén 65°C-on (mosogatógépbén történő mosás esetén a teljes mosási ciklust úgy végezze el, hogy az edények ne legyenek a gépbén). Távolítsa el a felesleges vizet anélkül, hogy a szűrő megsérülne, majd tegye a sütőbe 10 percre 100°C-on, hogy megszáradjon. Tegye vissza a zsirszűrőket.

3 évente cserélje ki a matracot és minden alkalommal, amikor a szövet megsérül.

• XD A kondenzvíz gyűjtő tálca karbantartása

A tálcát legalább hetente egyszer, vagy a páraelszívó használatától függően gyakrabban kell kiüríteni és tisztítani.

1. Tegyen egy edényt a légtelenítő nyílás alá.
2. A légtelenítő nyílás nyitása érdekében nyomja a nyelvet lefelé és végezze el a kondenzvíz gyűjtő tálca ürítését.
3. Öntse ki az összegyűjtött folyadékot.



• **XB A BE SILENCE panelek karbantartása:** egy forradalmi termék, amelyet az elszívórendszerek zajcsökkentésére terveztek.

A szabadalmaztatott felületi réteg olyan mechanikai tulajdonságokkal rendelkezik, amelyek képesek elnyelni a hanghullámokat és a legjobb teljesítményt biztosítják. Az akusztikus panelek újrahasznosított anyagokból készülnek.

Könnyű használat és karbantartás: A panelek könnyen telepíthetők és karbantarthatók, a bennük lévő mágnesnek köszönhetően.

Szerszám nélkül eltávolíthatók és semleges mosószerrel kézzel moshatók.

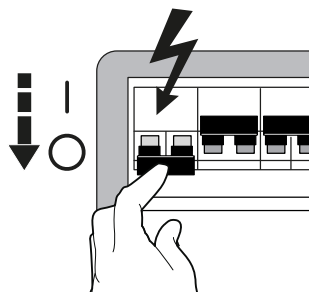
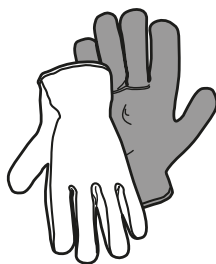
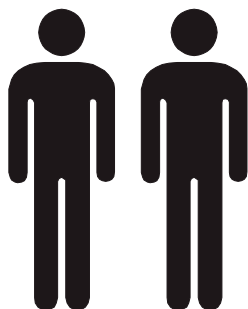
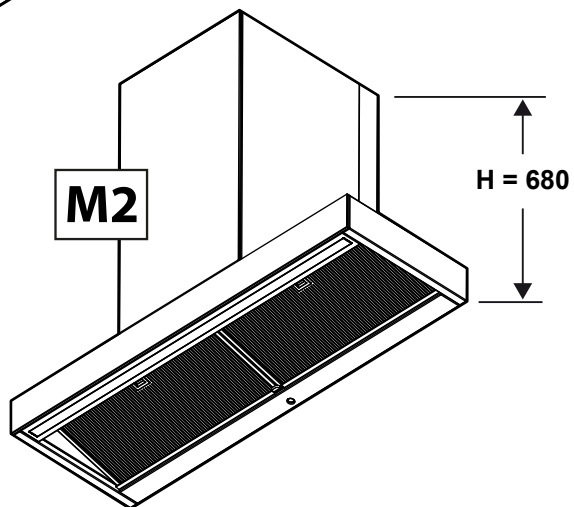
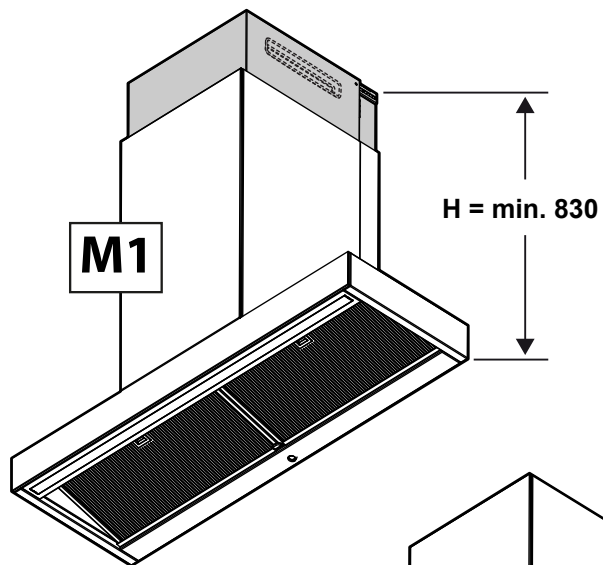
A mosás után jól szellőző helyen szárítsa meg őket.

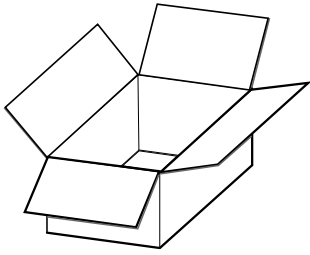
Fontos: a paneleknek teljesen száraznak kell lenniük a készülékbe történő visszaszerelés előtt.

Megvilágítás

• A világítási rendszer LED-technológián alapul. A LEDEK optimális megvilágítást biztosítanak, a hagyományos lámpák élettartamánál 10-szer nagyobb élettartammal rendelkeznek, mindemellett 90%-os elektromos energia megtakarítást tesznek lehetővé.

• **Világítási rendszer** : A világítási rendszer cseréjét nem végezheti a felhasználó, működési rendellenesség esetén lépjen kapcsolatba a műszaki szervizszolgálattal.

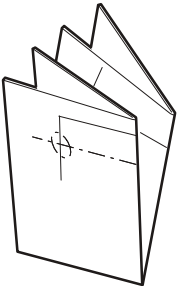




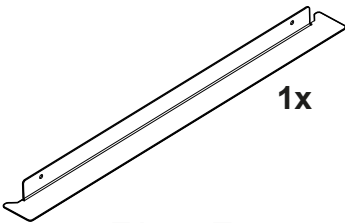
M1 **M2**



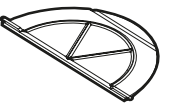
1x



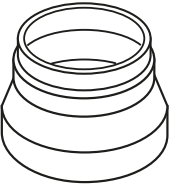
1x



1x



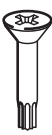
2x



1x*

T10

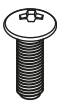
T20



2x*



1x*



2x*

M4x8,5



2x*

M4x0,7



4x

M5x0,8



1x



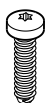
2x

Ø4x8 mm



2x

Ø3,5x6,5 mm



2x

Ø3,5x16 mm



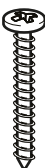
6x

M5x16



8x

Ø8x40 mm



8x

Ø5x45 mm



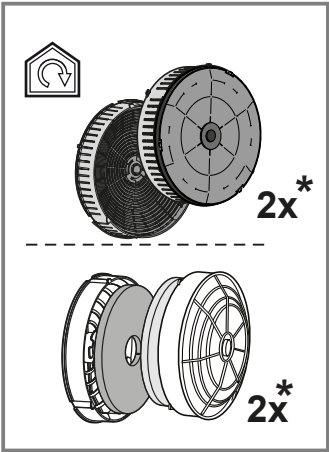
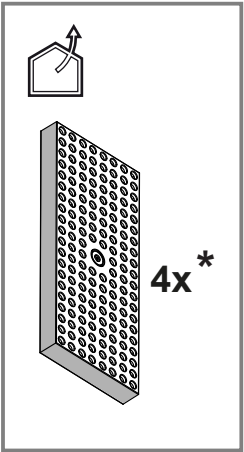
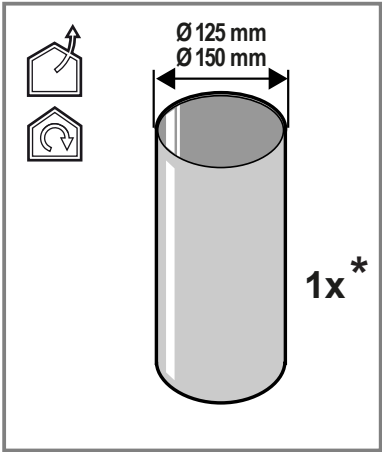
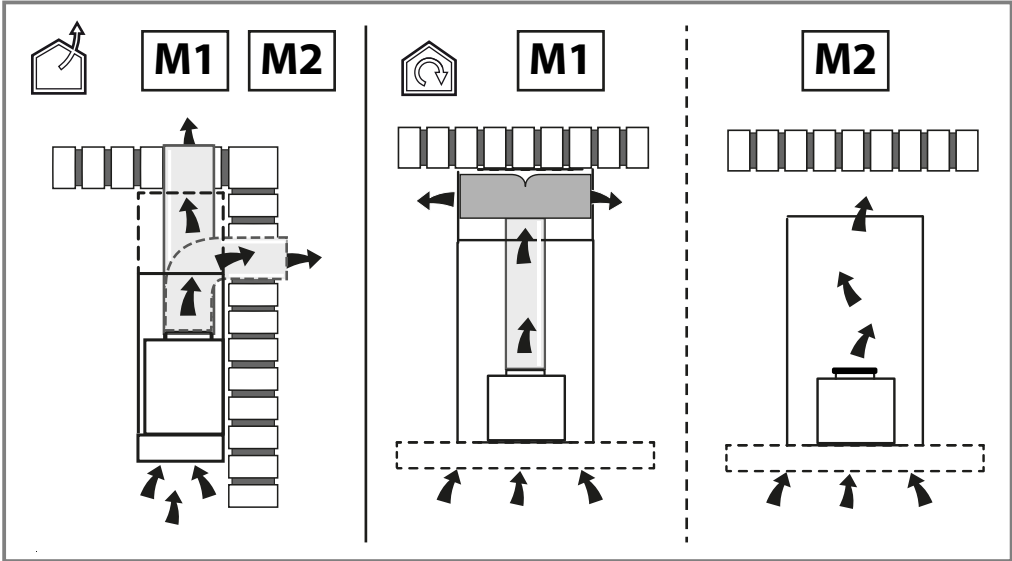
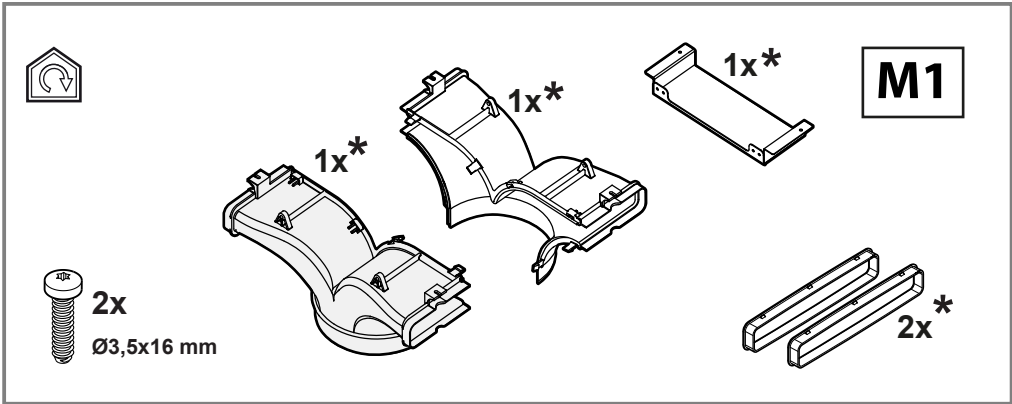
1x

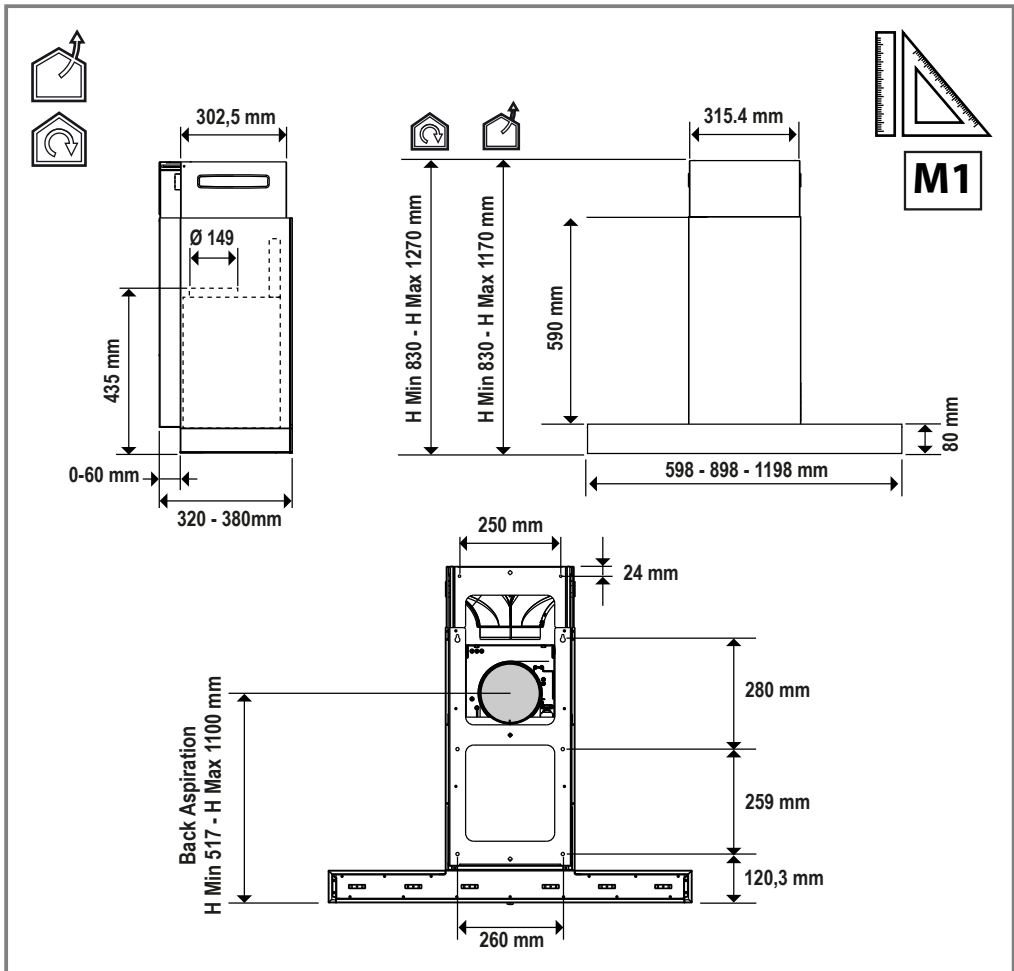
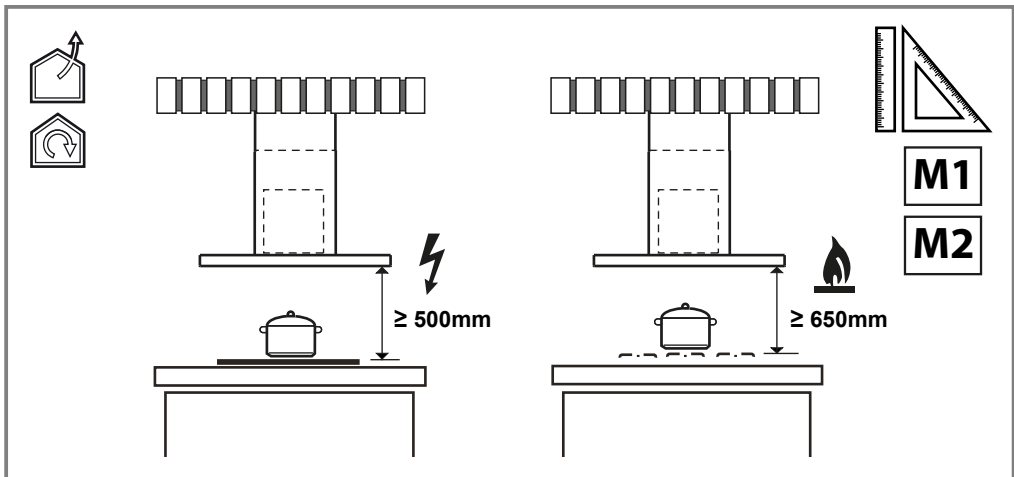
Ø3,5x9,5 mm

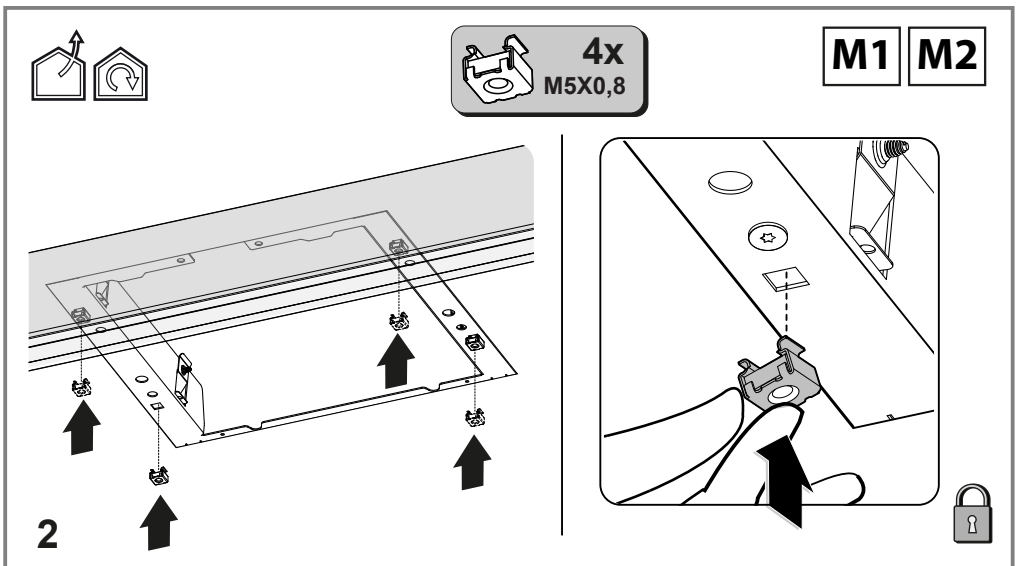
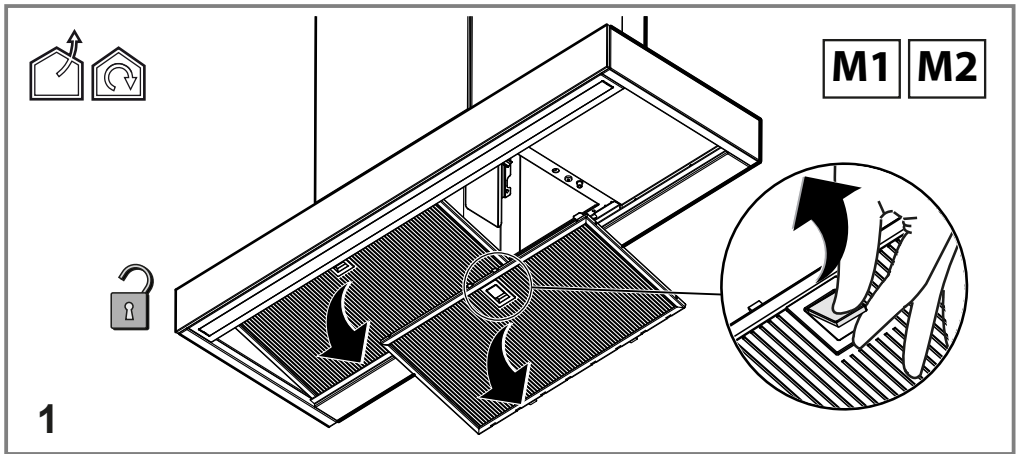
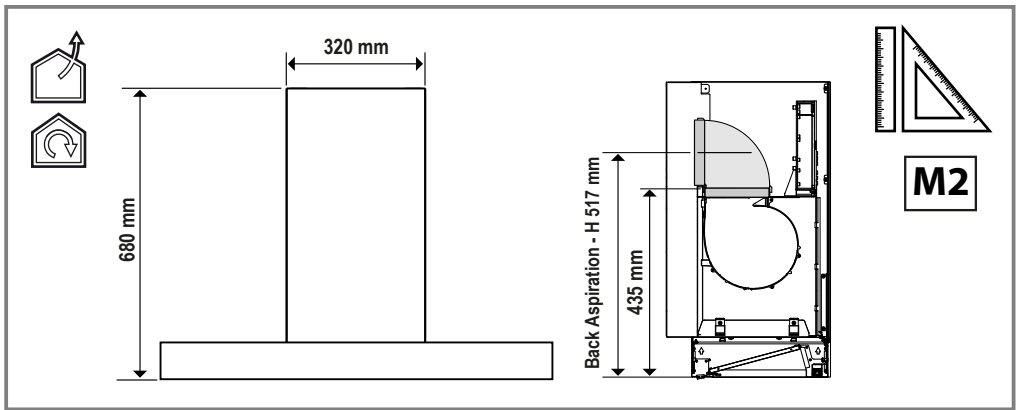


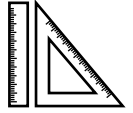
2x

Ø2,9x9,5 mm



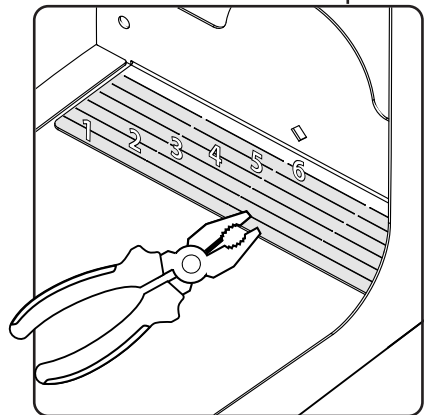
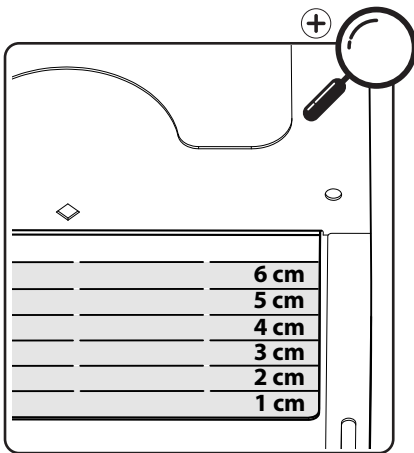
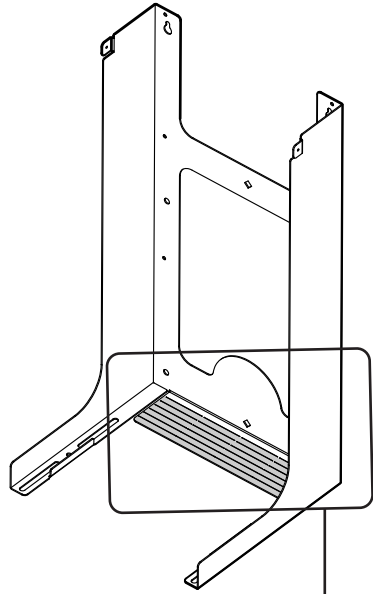
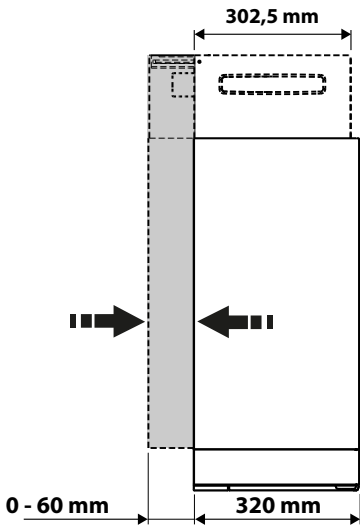


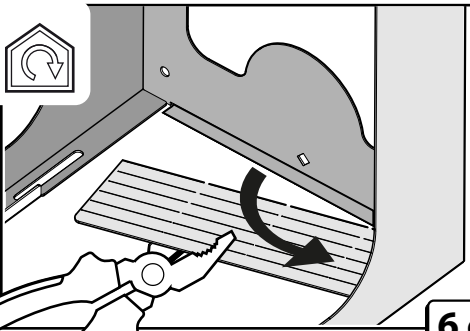




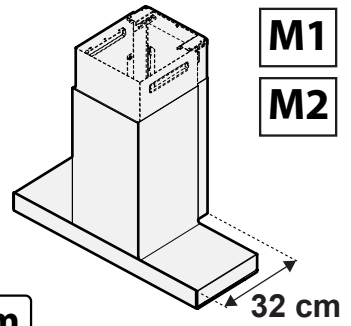
M1

M2





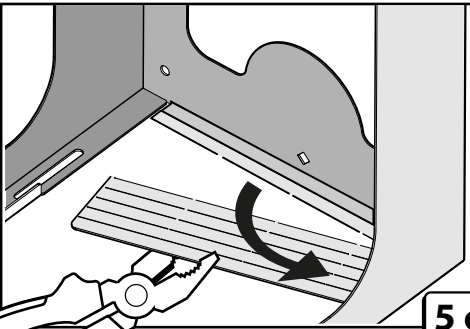
6 cm



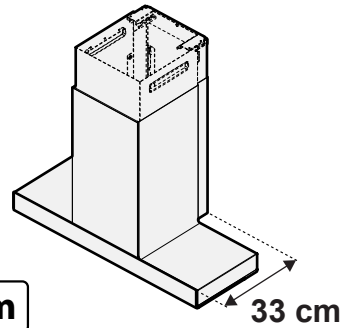
M1

M2

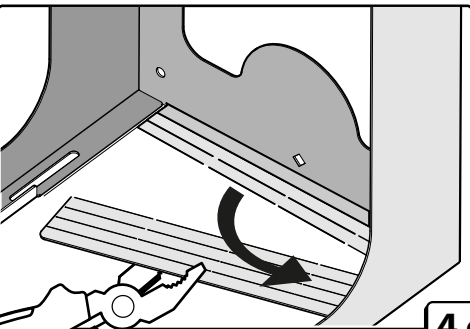
32 cm



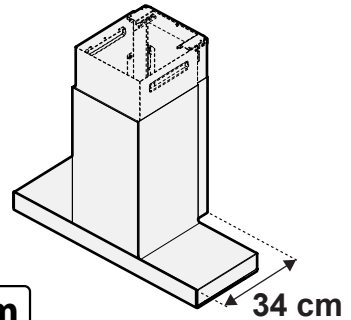
5 cm



33 cm



4 cm



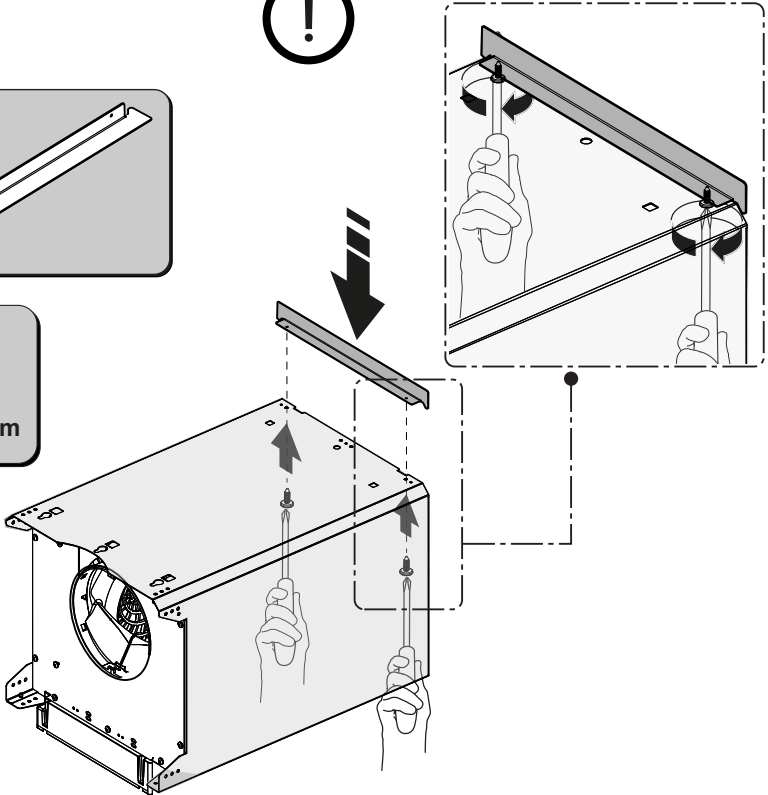
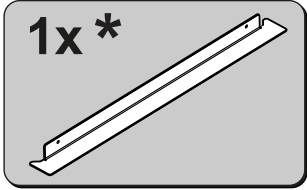
34 cm



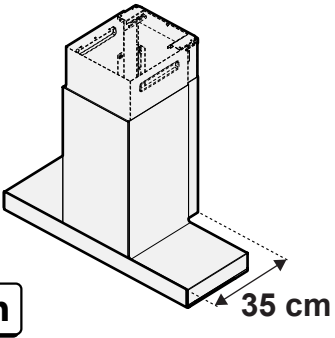
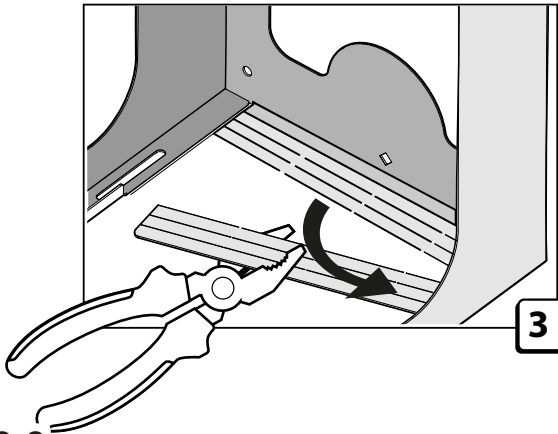
≥ 35-38 cm

M1

M2



3.2

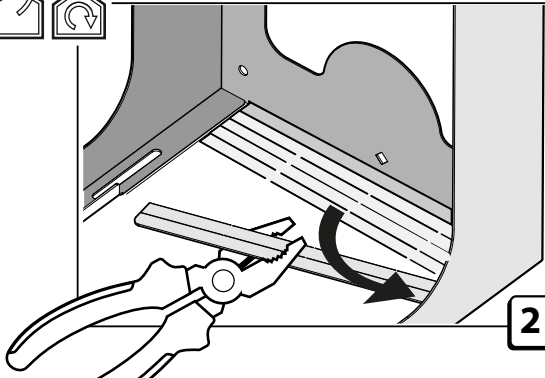


3.3

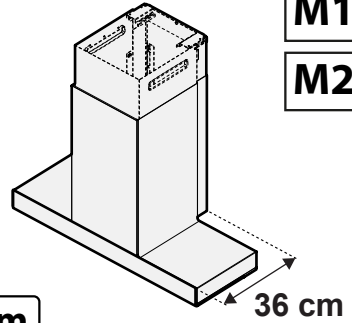


M1

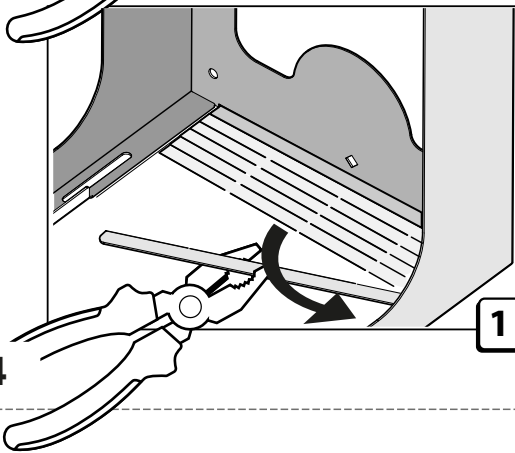
M2



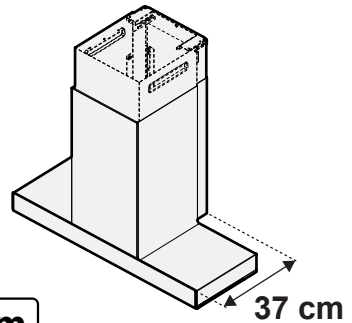
2 cm



36 cm

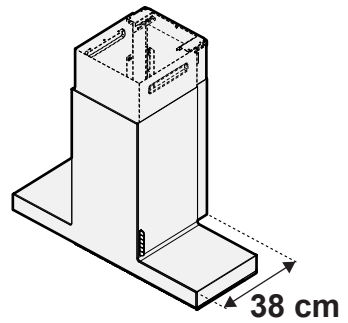
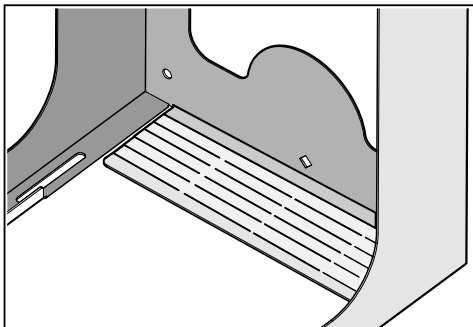


1 cm

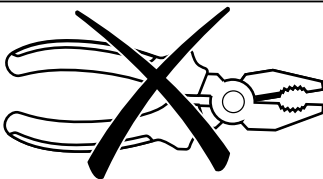


37 cm

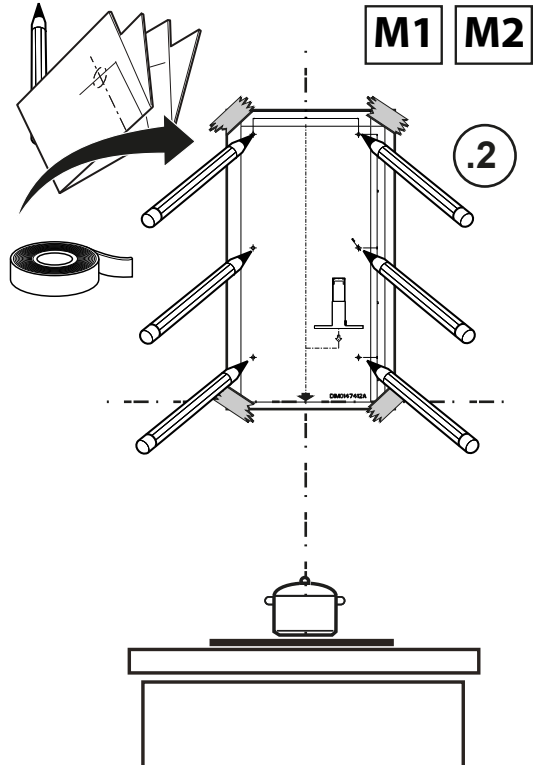
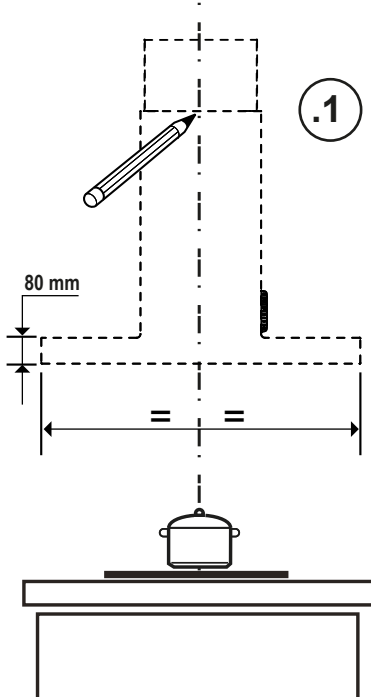
3.4



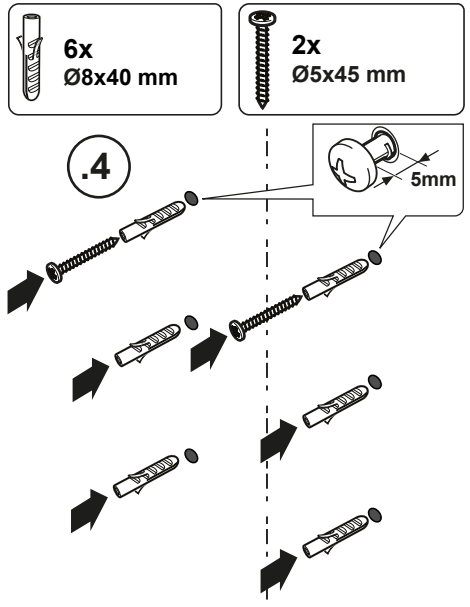
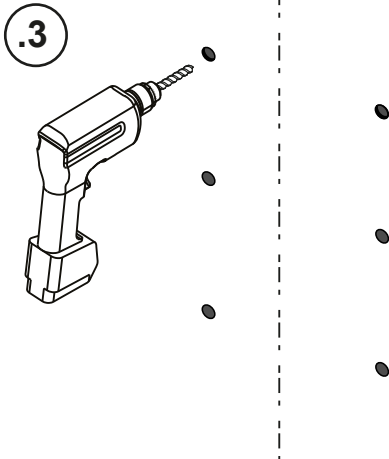
38 cm



3.5

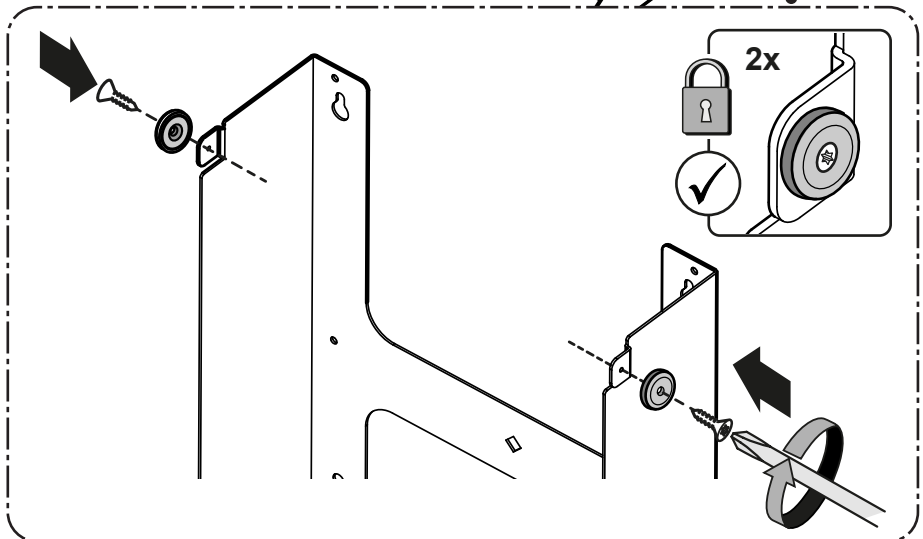
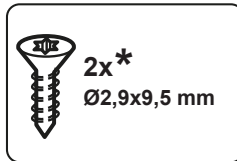
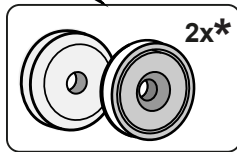
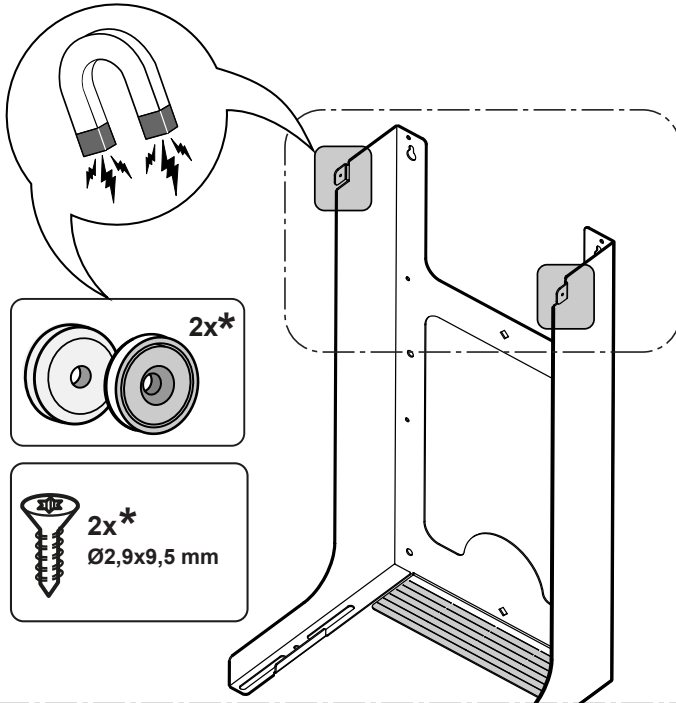


6 x $\varnothing 8$ mm



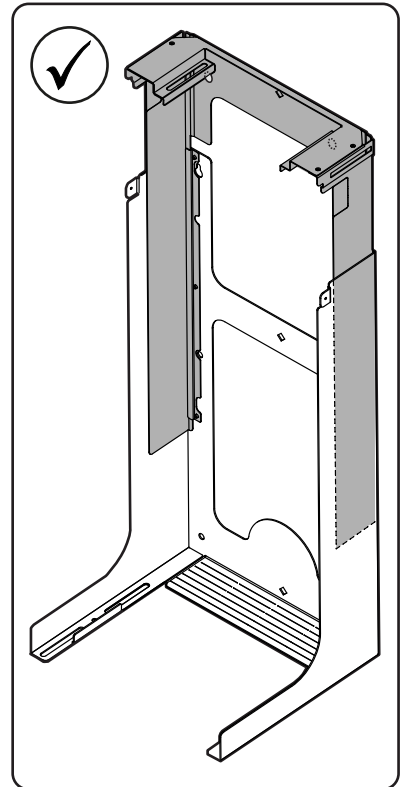
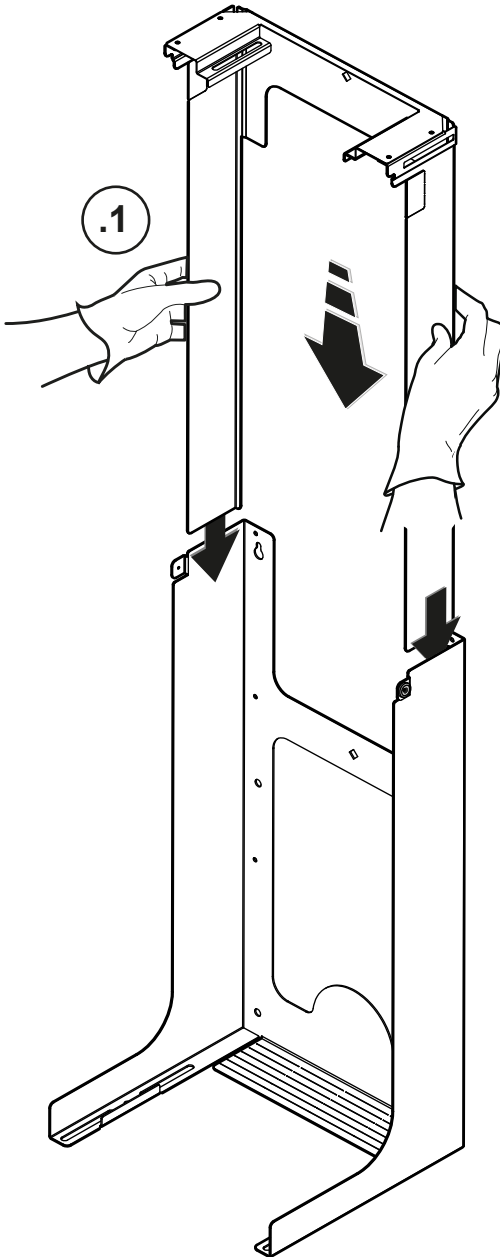
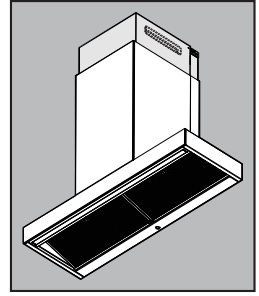


M1 M2



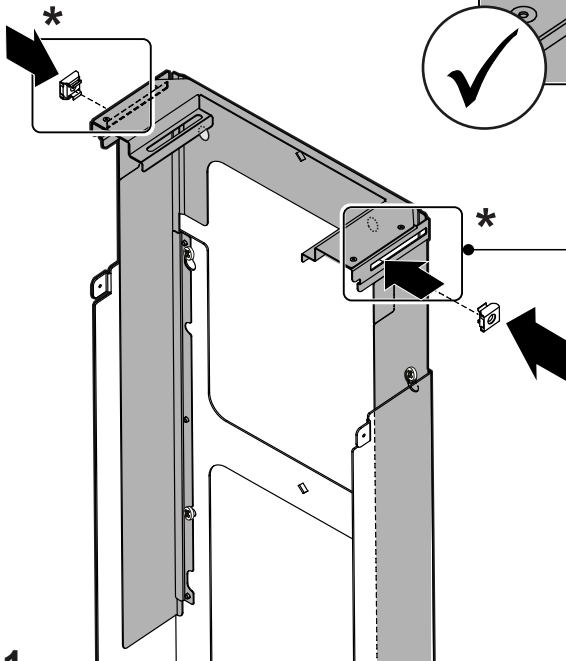
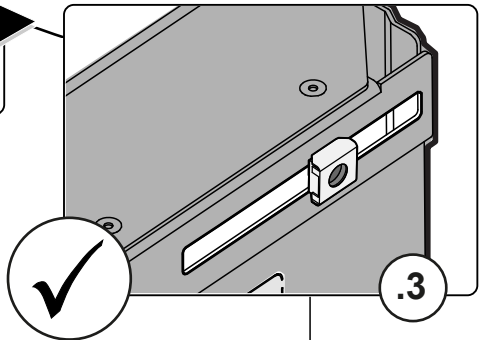
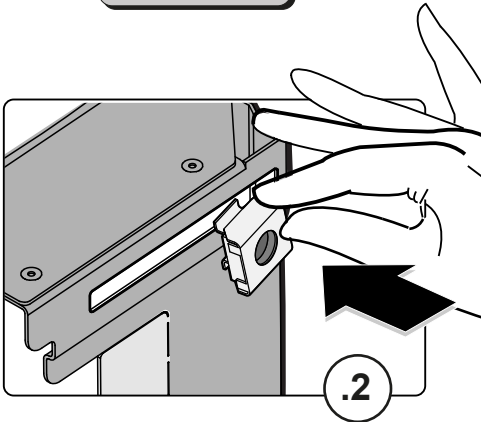
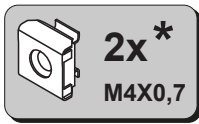
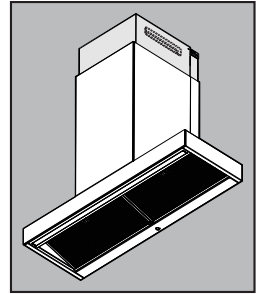


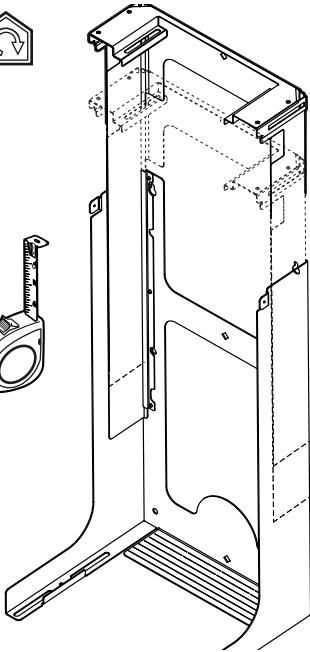
M1





M1



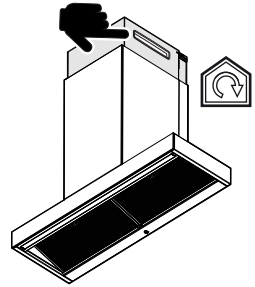
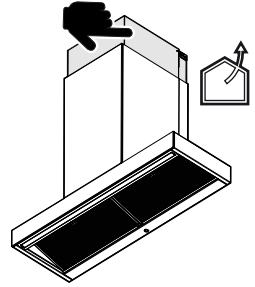


M1

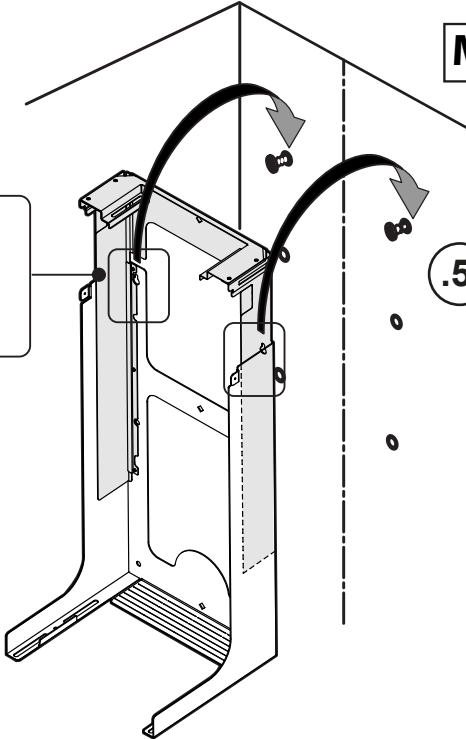
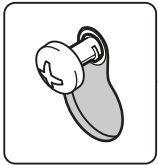
.4

h min. 748 mm
max 1088 mm

h min. 748 mm
h max 1168 mm

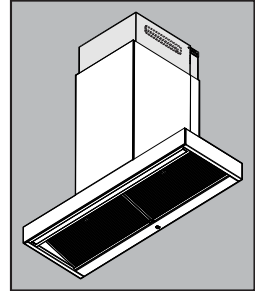


6.2



M1

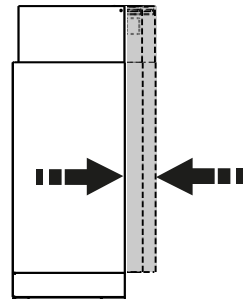
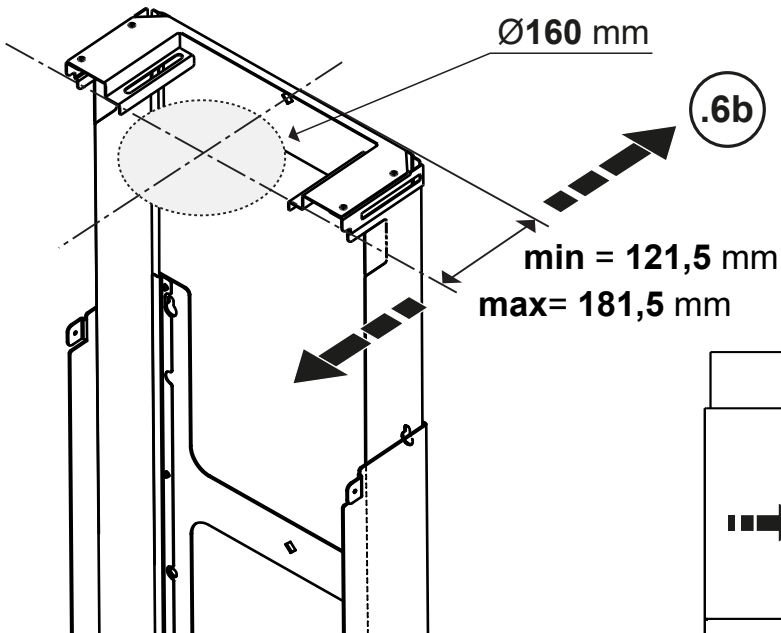
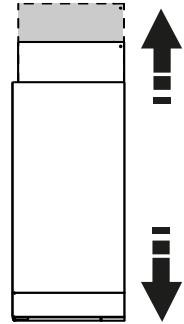
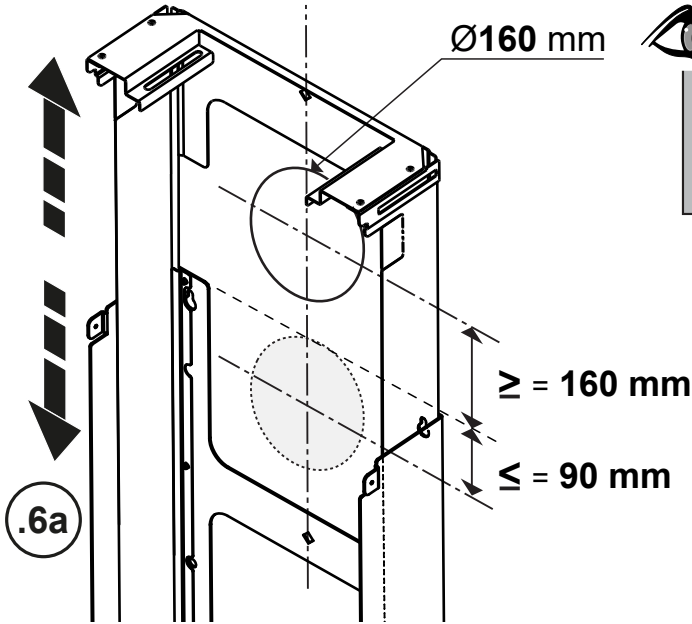
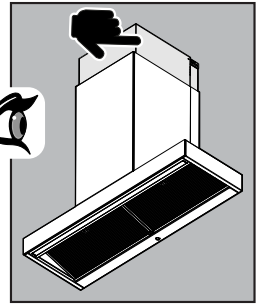
.5



6.3



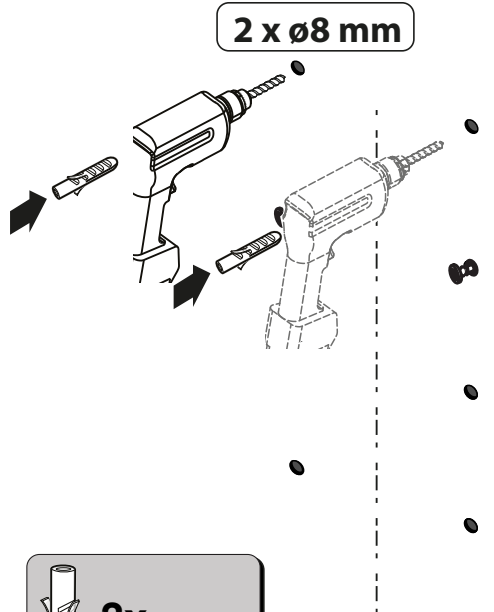
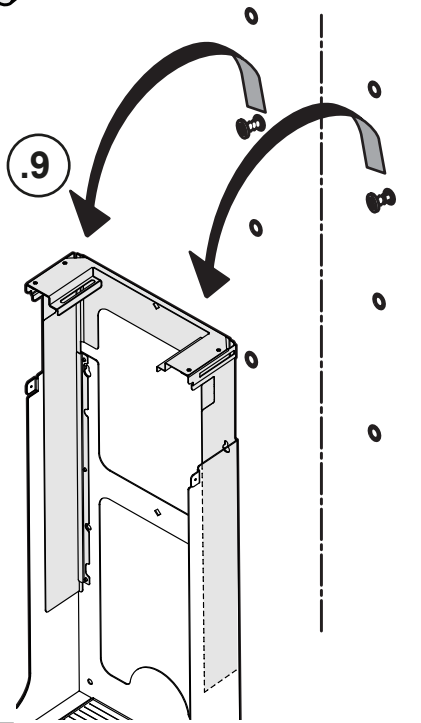
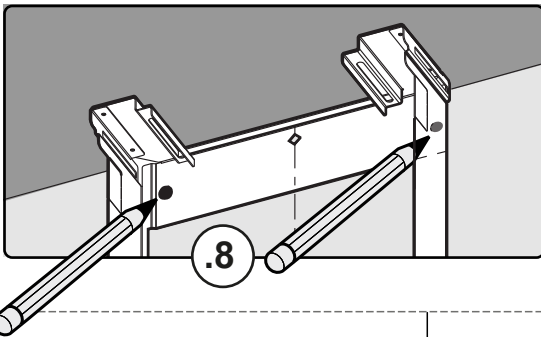
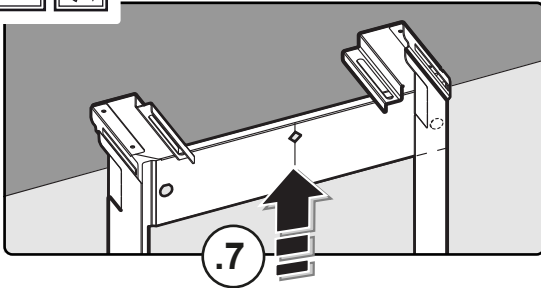
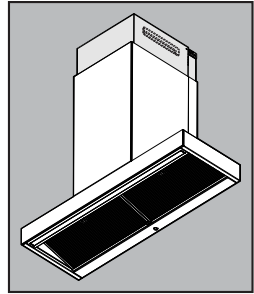
M1



6.4



M1

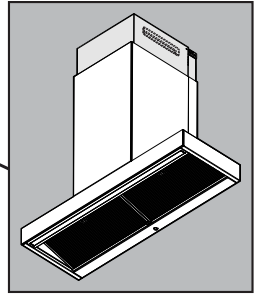


2 x $\varnothing 8$ mm

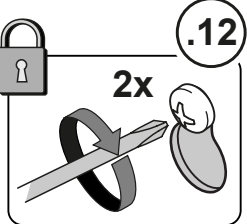
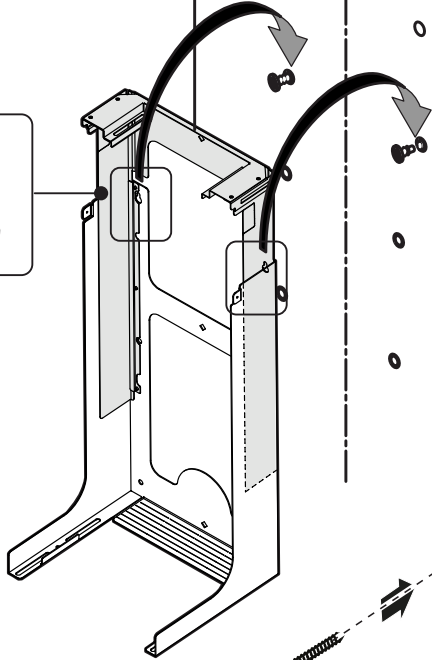
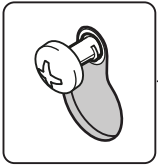
2x
 $\varnothing 8 \times 40$ mm



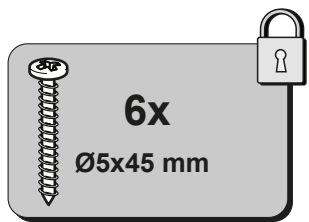
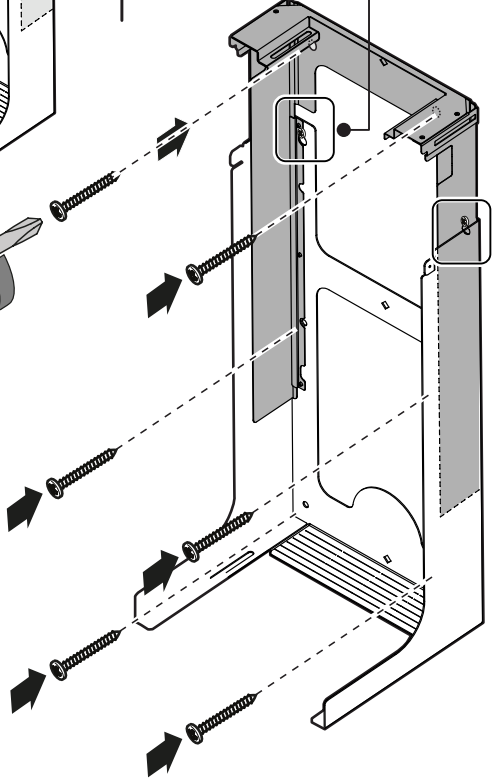
M1

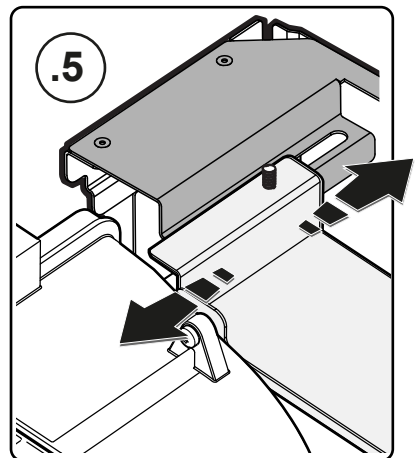
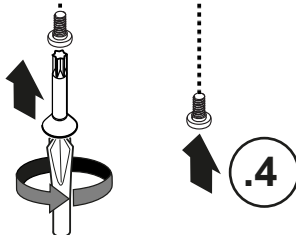
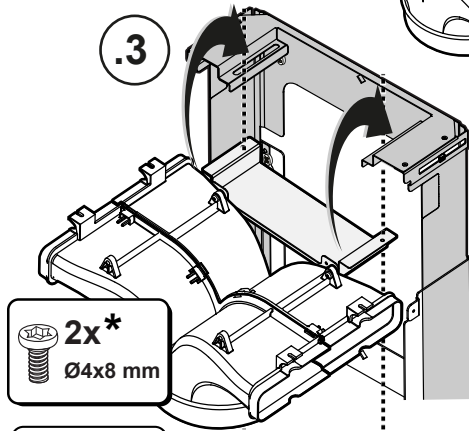
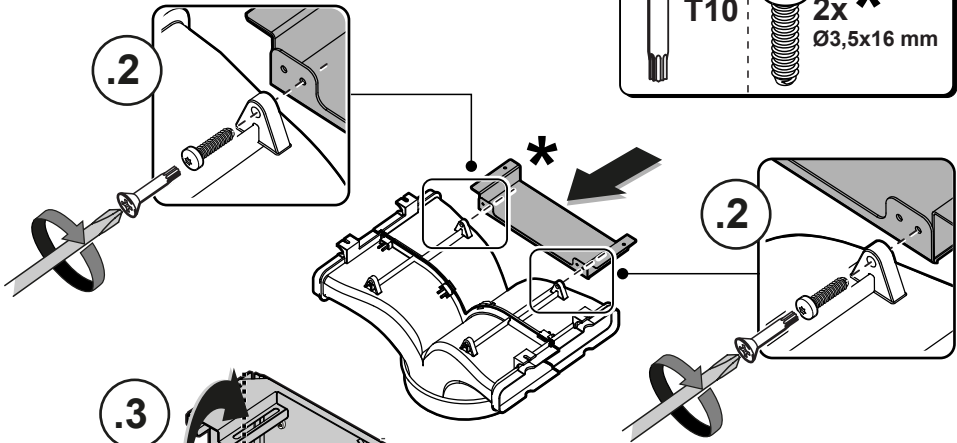
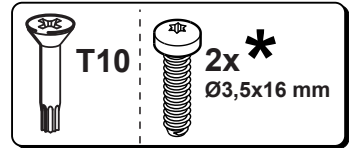
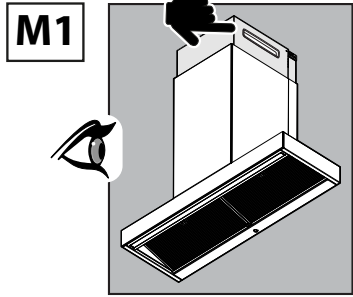
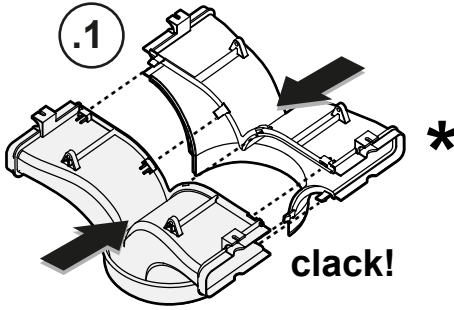


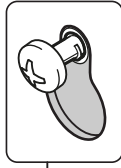
.11



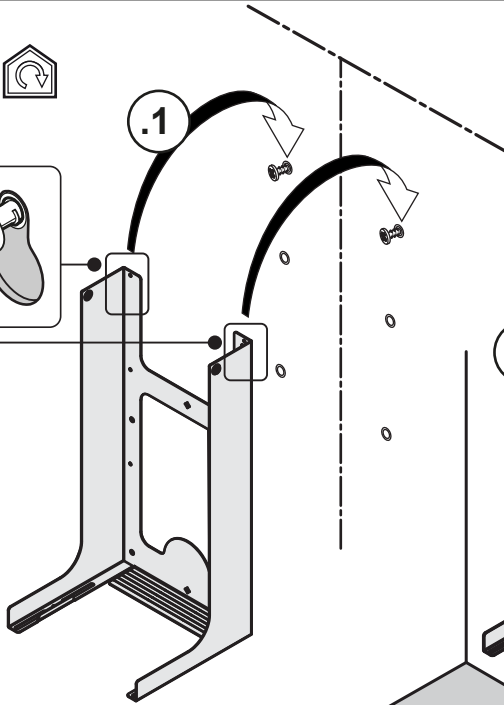
.13



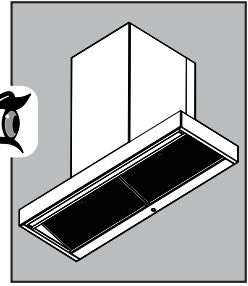




.1



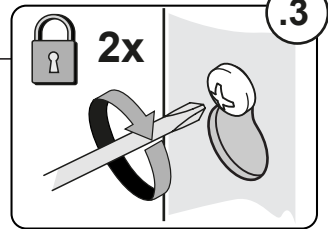
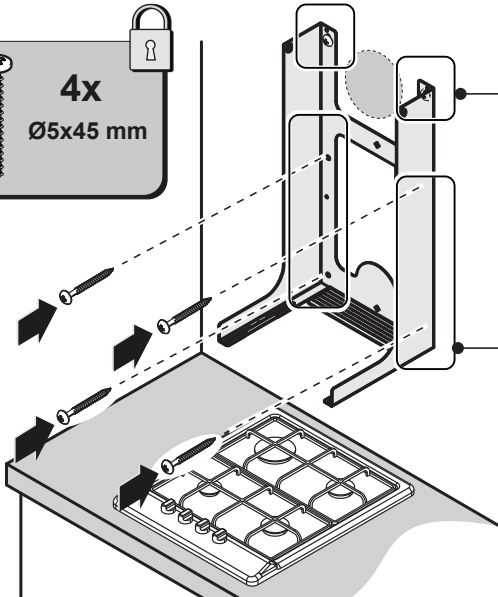
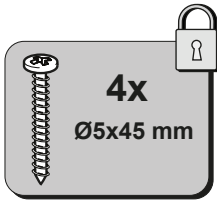
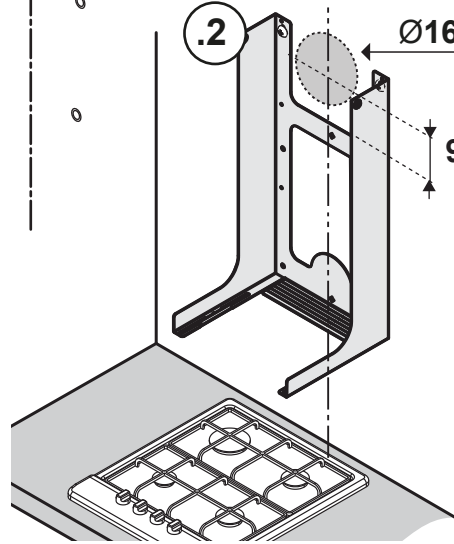
M2



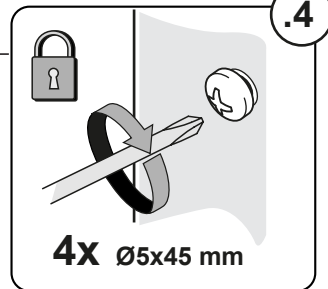
.2

Ø160mm

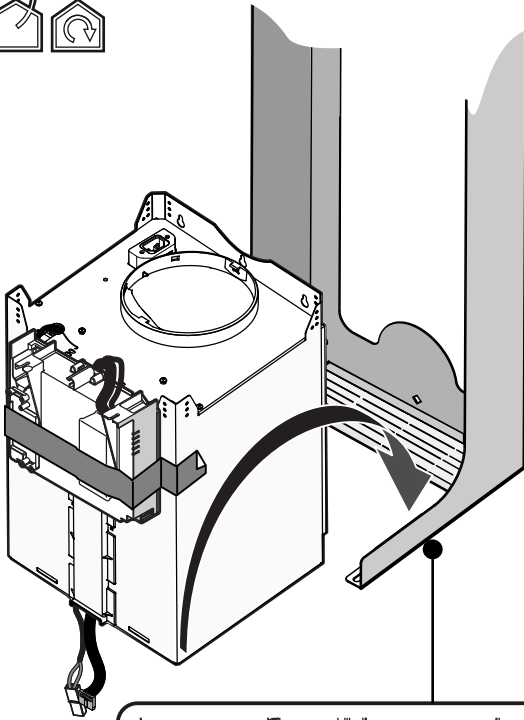
90 mm



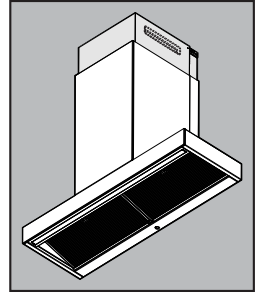
.3



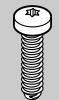
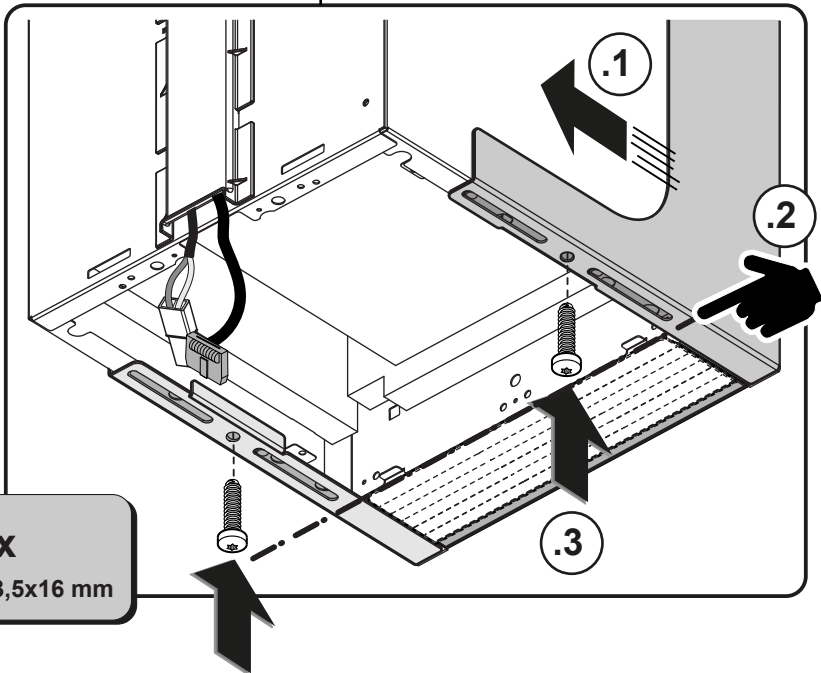
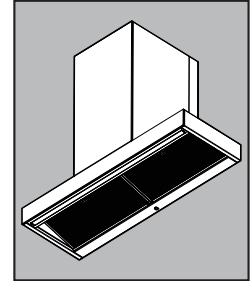
.4



M1

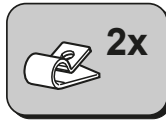


M2



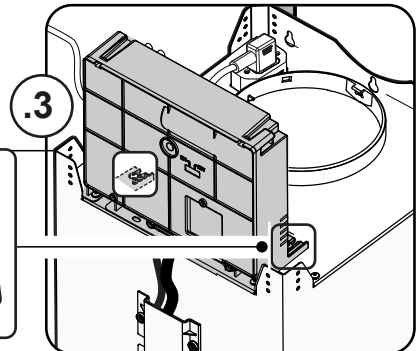
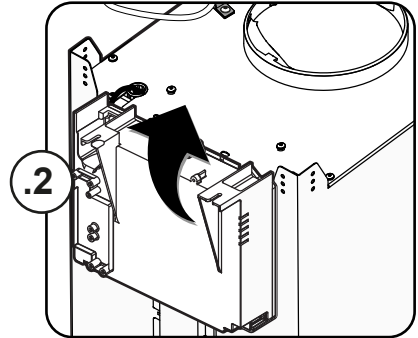
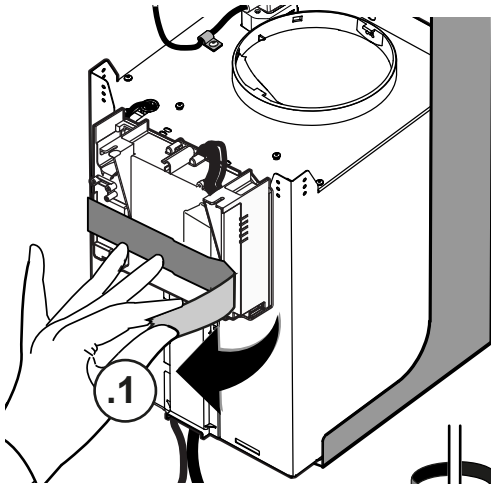
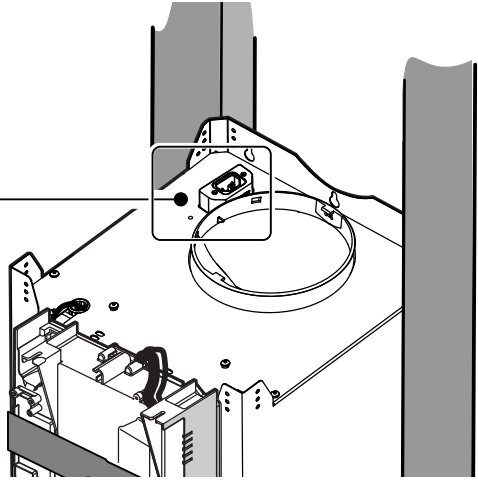
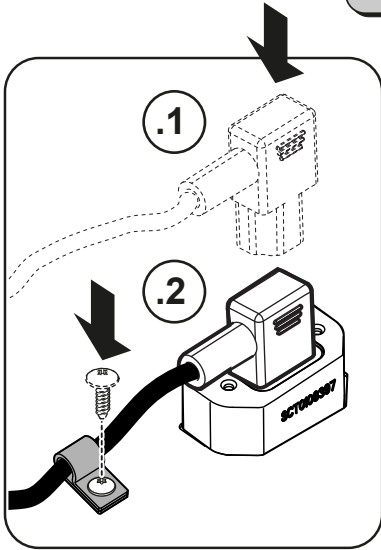
2x

Ø3,5x16 mm



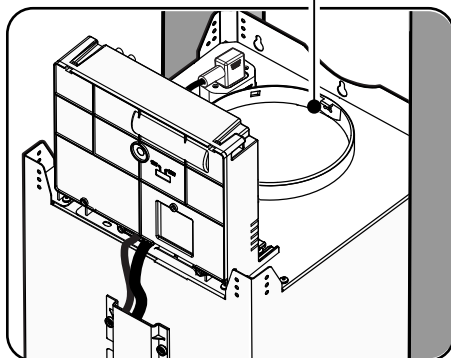
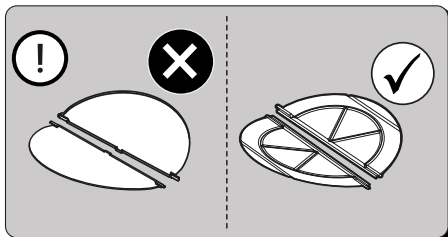
M1

M2

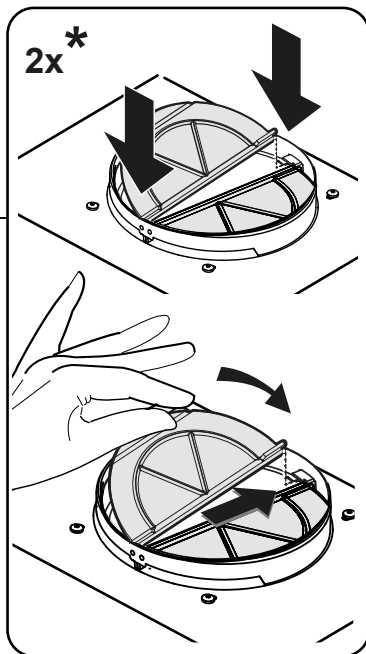




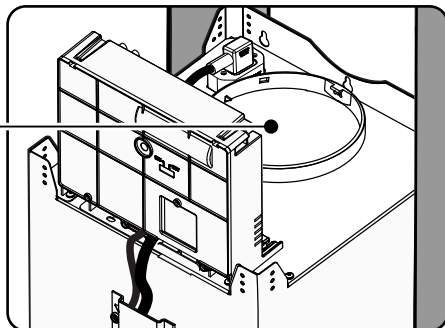
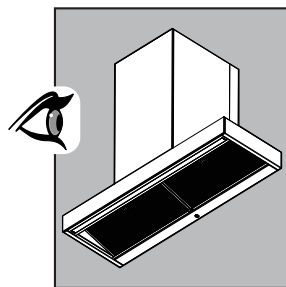
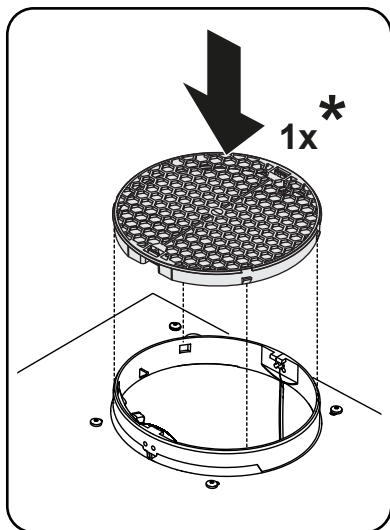
M1 - M2 *



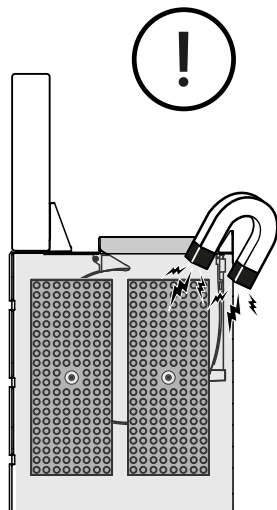
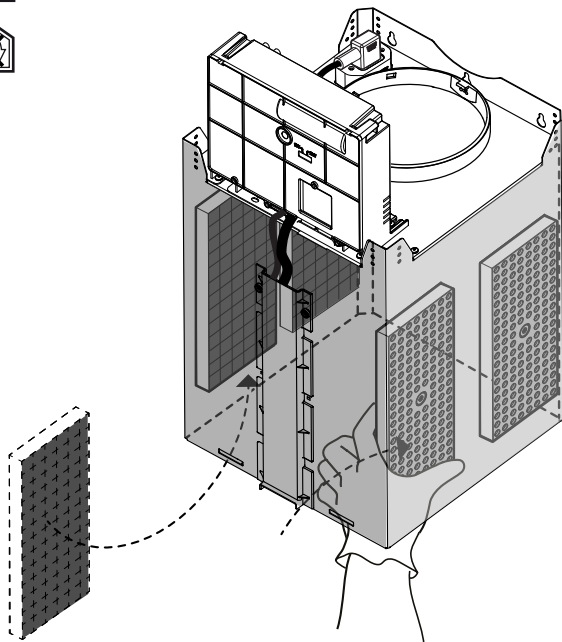
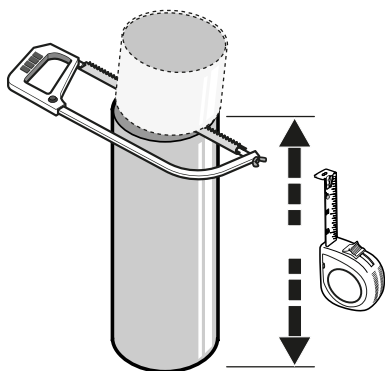
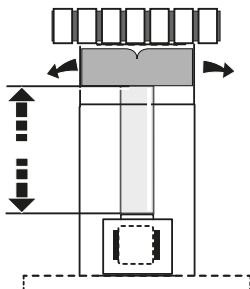
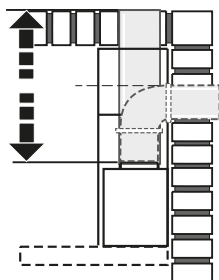
13



M2 *



14

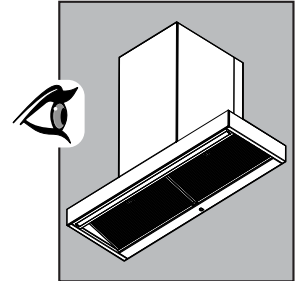
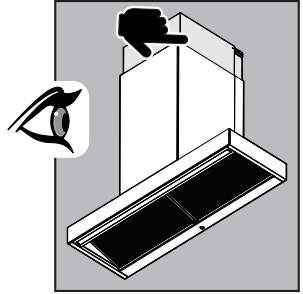
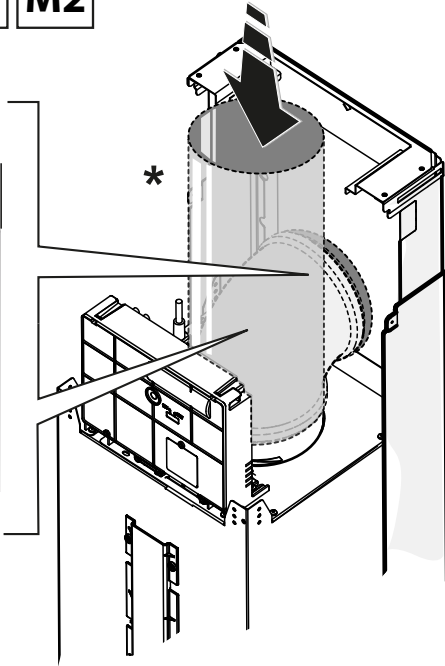
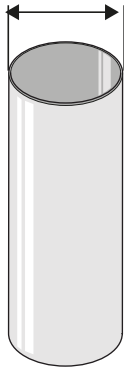
M1**M2****15****M1****M2****16**



M1

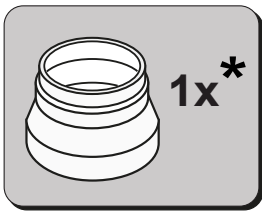
M2

Ø 150 mm



M1

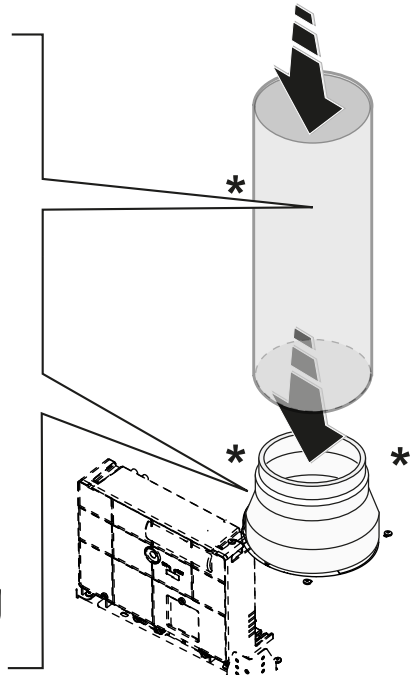
M2



Ø 125 mm



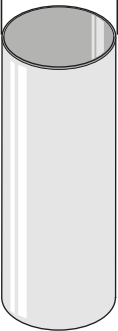
Ø 125 mm



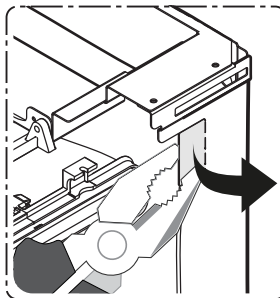
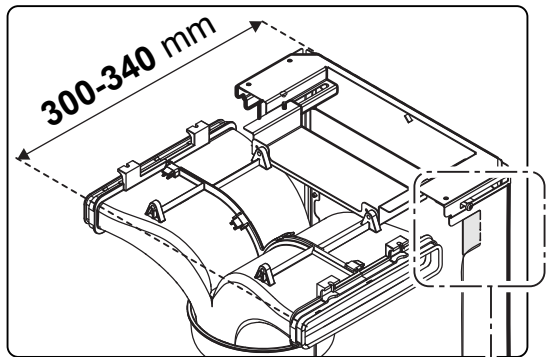
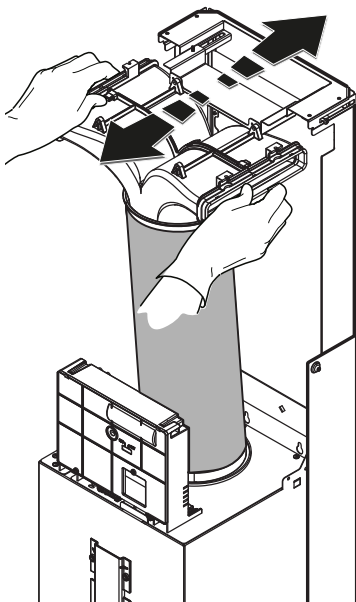
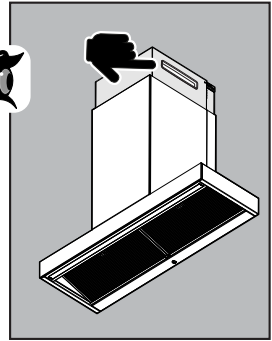
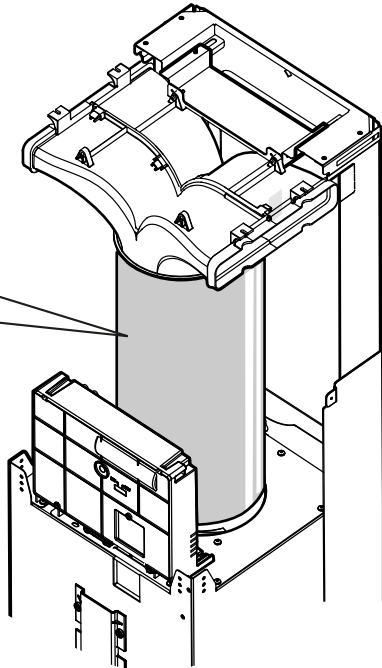


M1

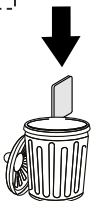
Ø 150 mm



*

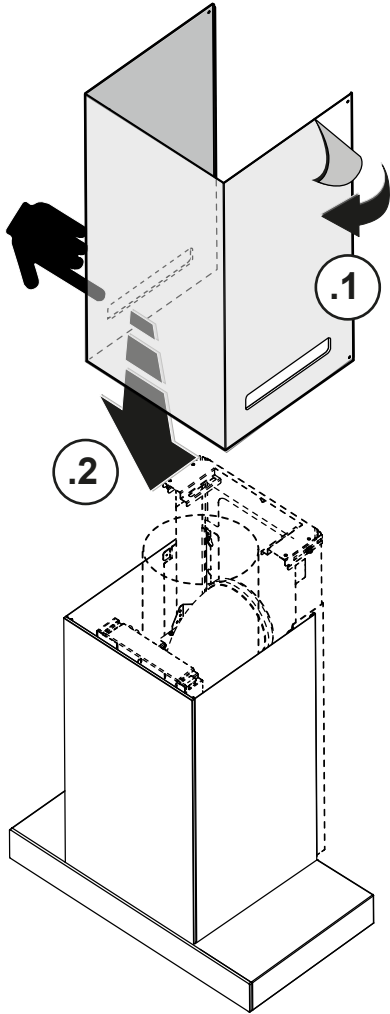


300 mm





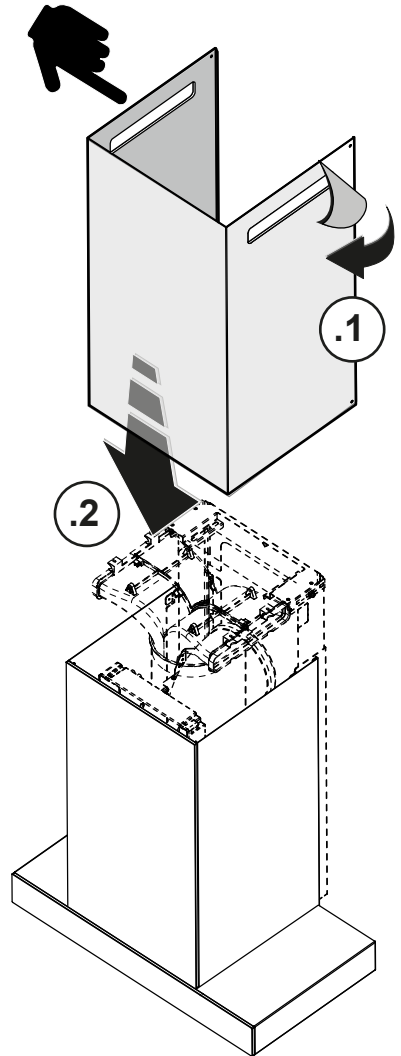
M1



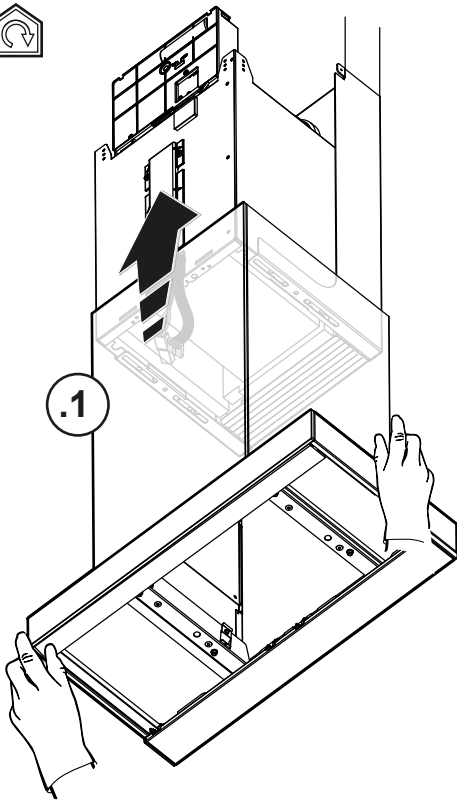
19



M1

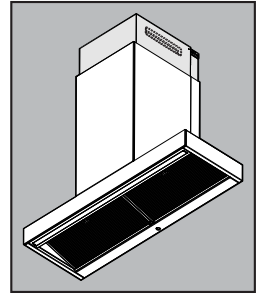


20

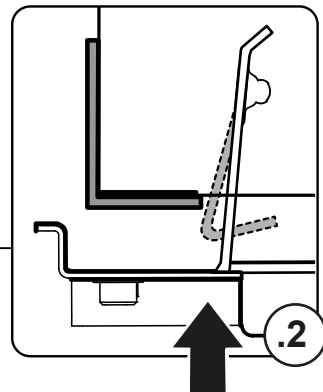
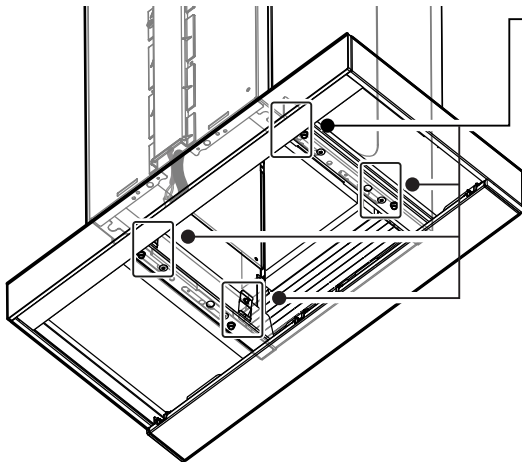
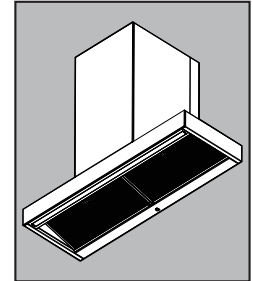


.1

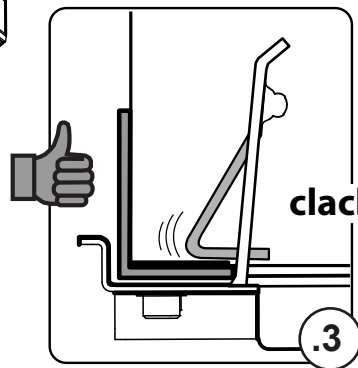
M1



M2

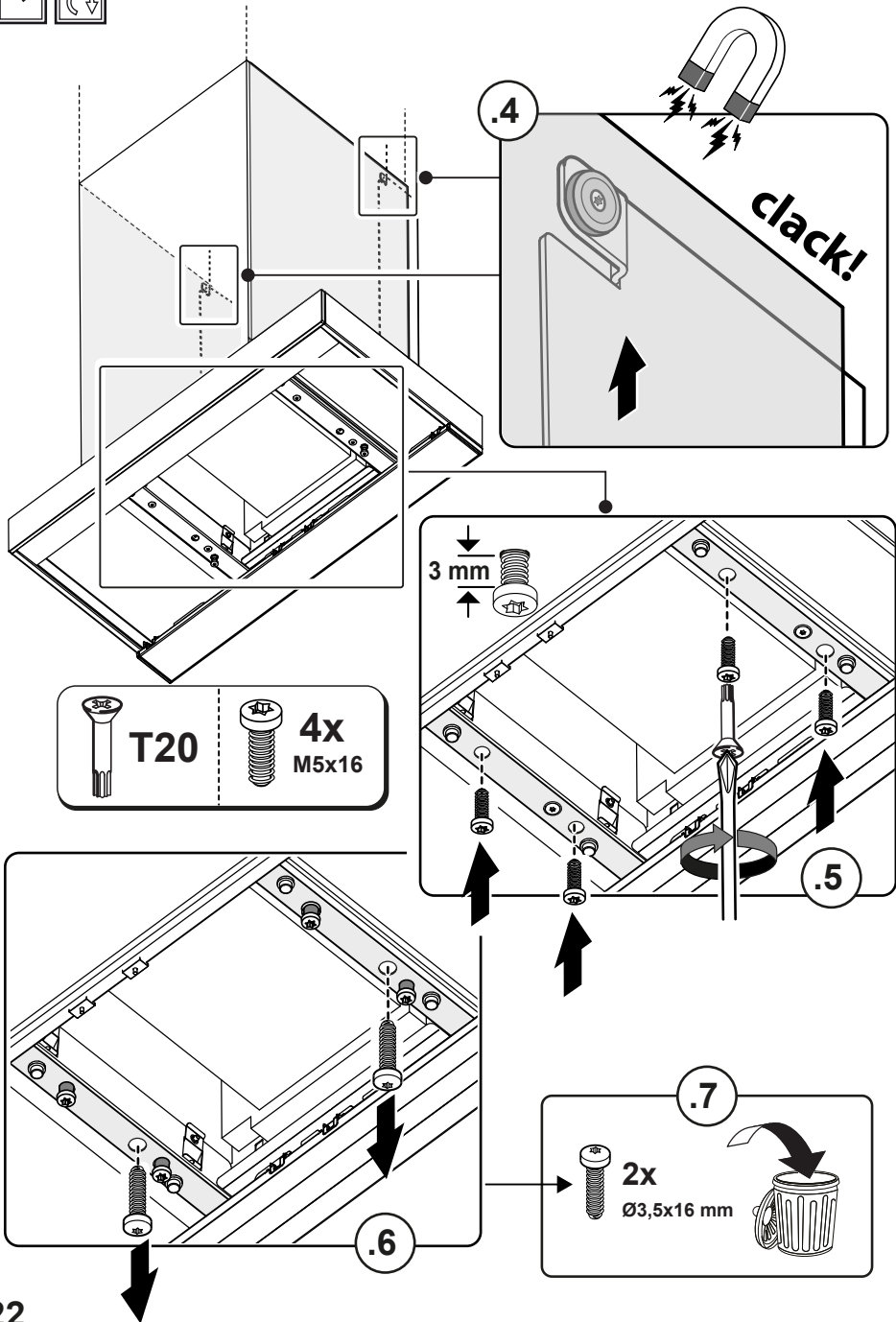


.2



click!

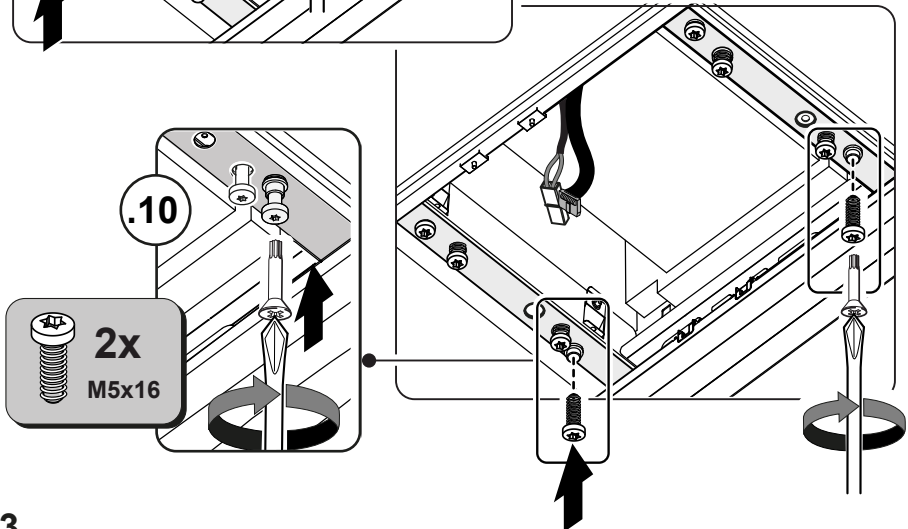
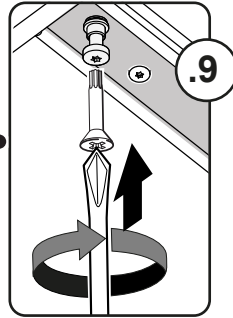
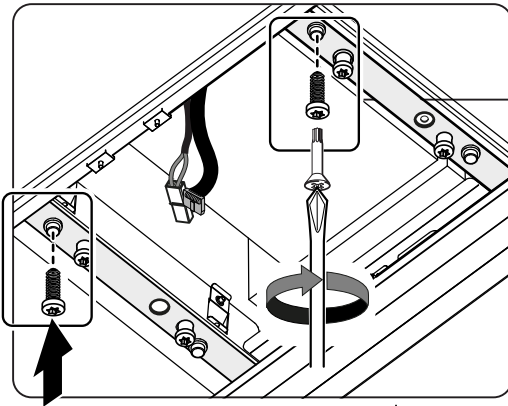
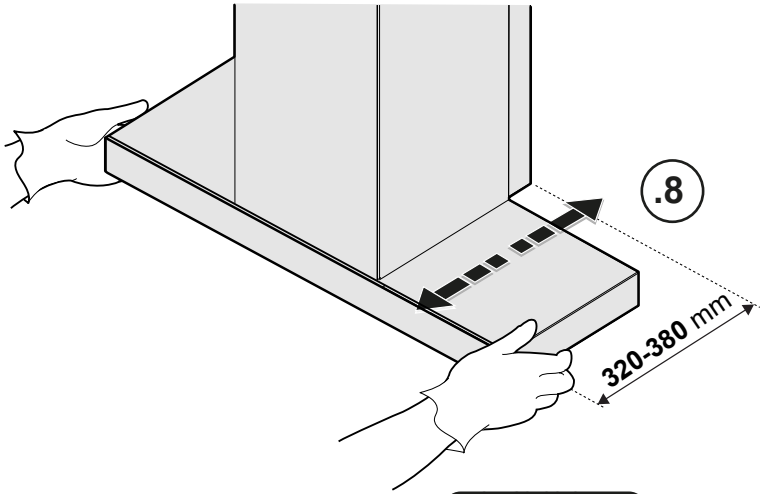
.3





M1

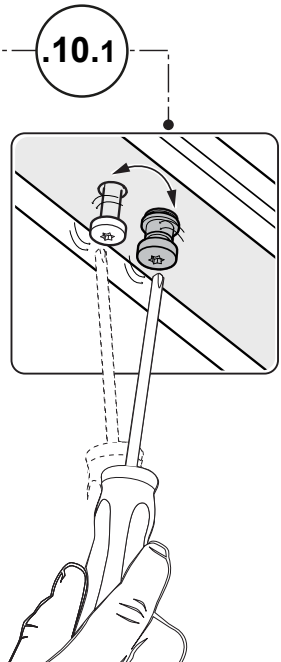
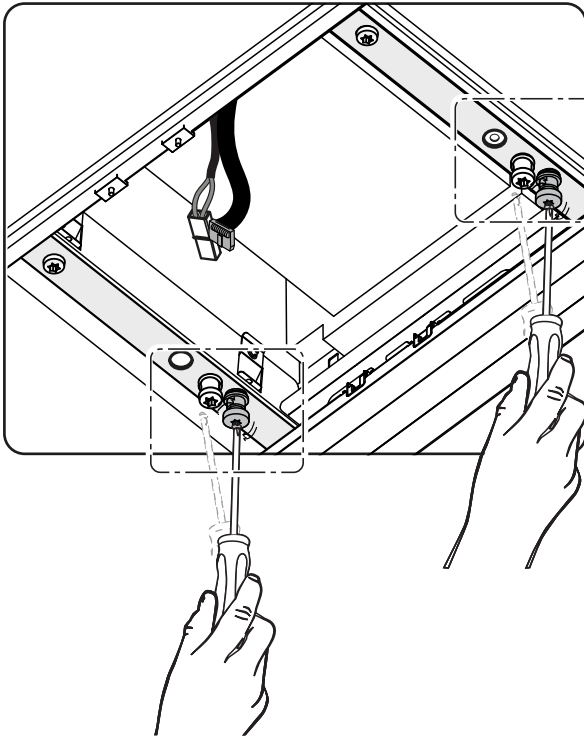
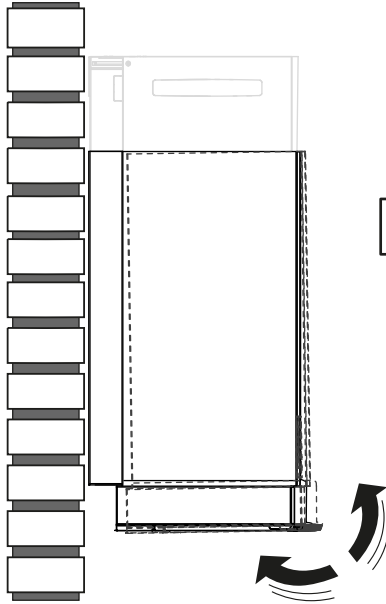
M2





M1

M2

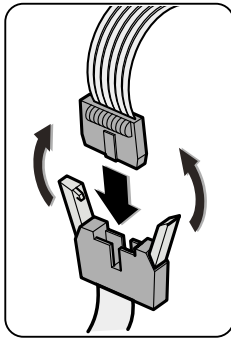
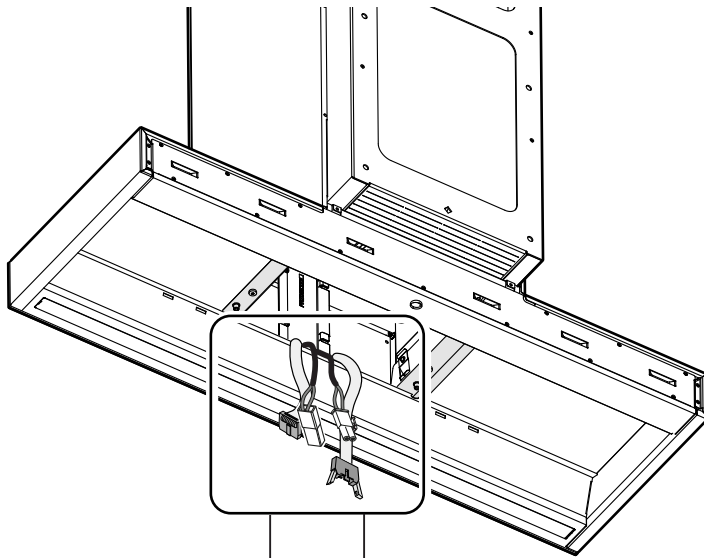




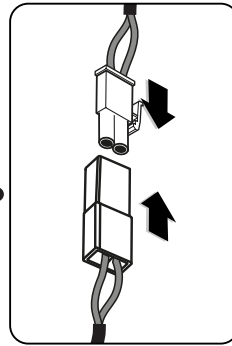
V-Hz

M1

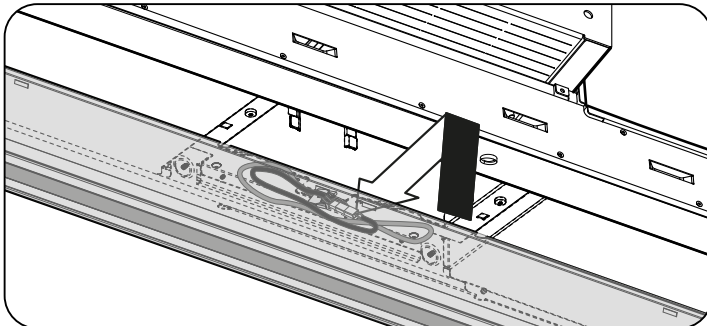
M2



.11



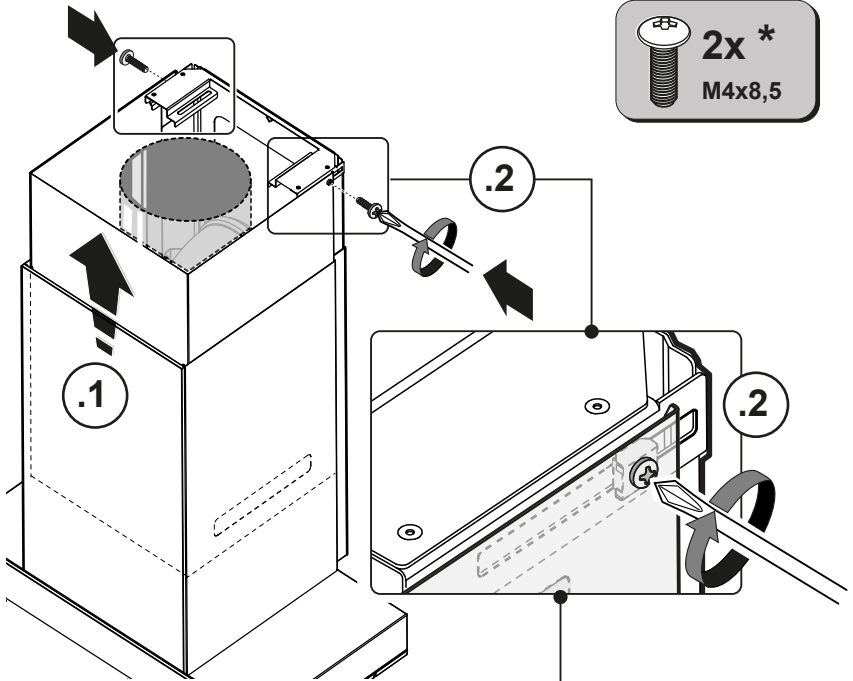
.12



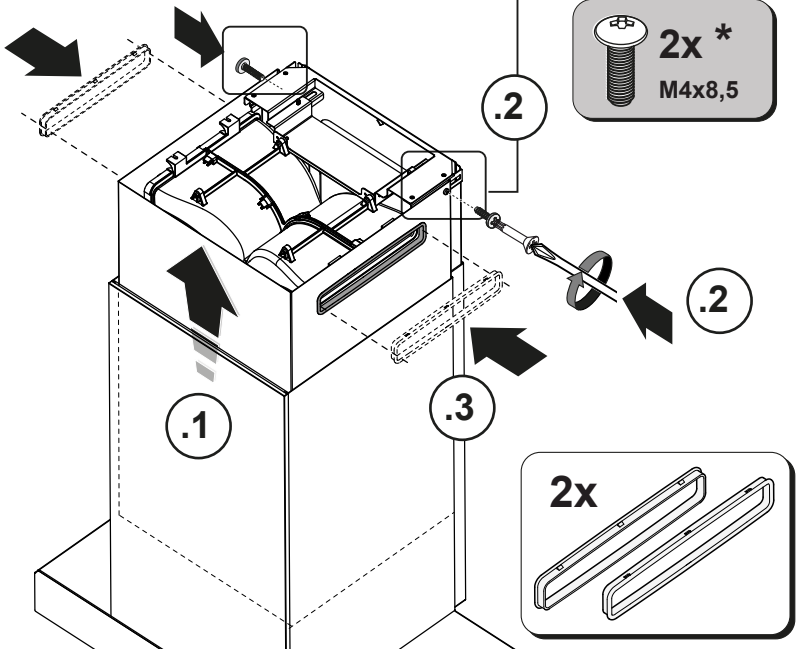
.13



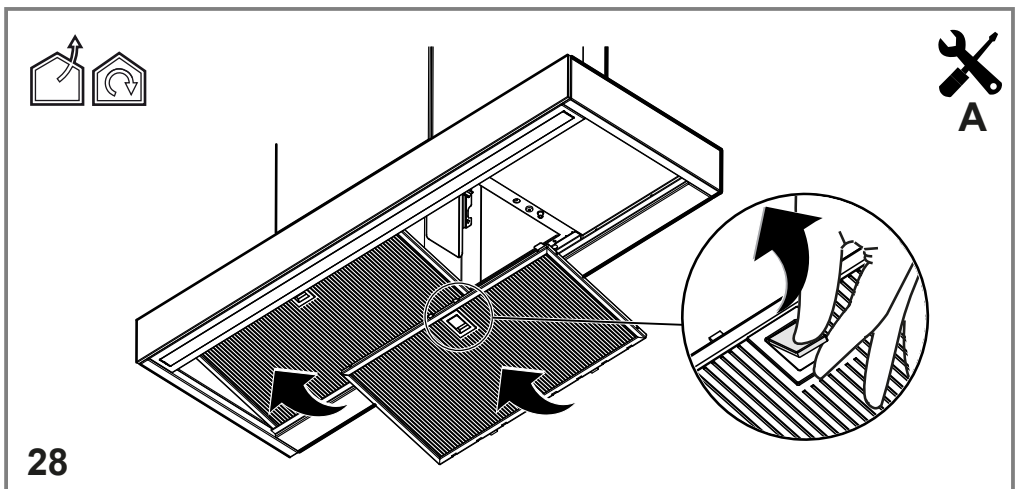
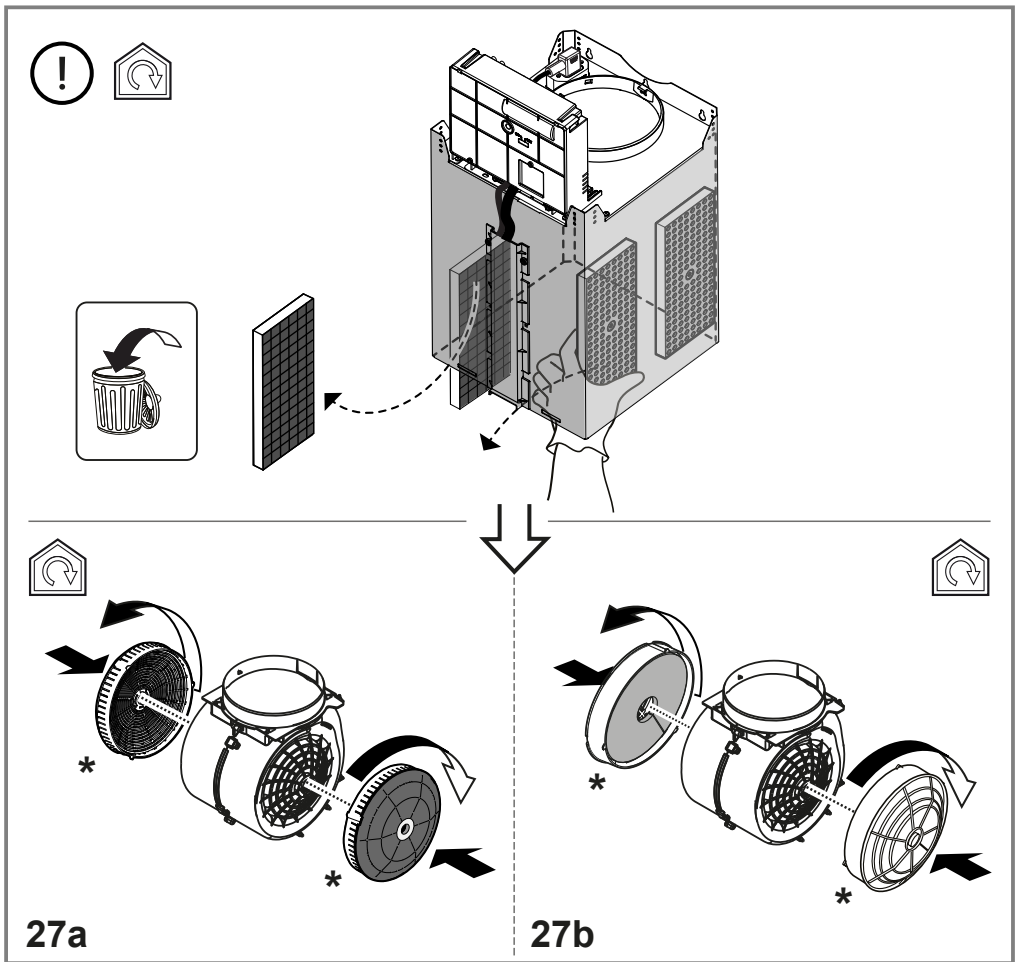
M1

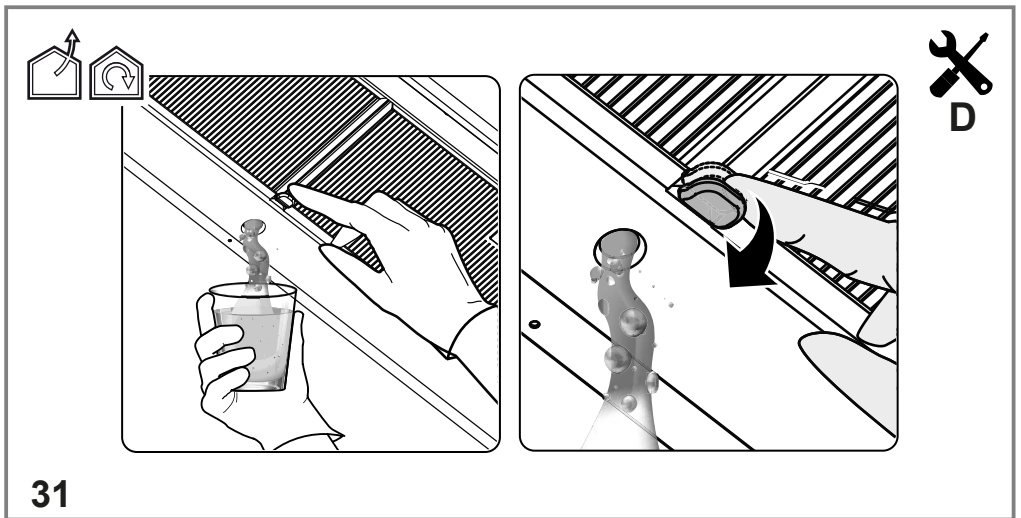
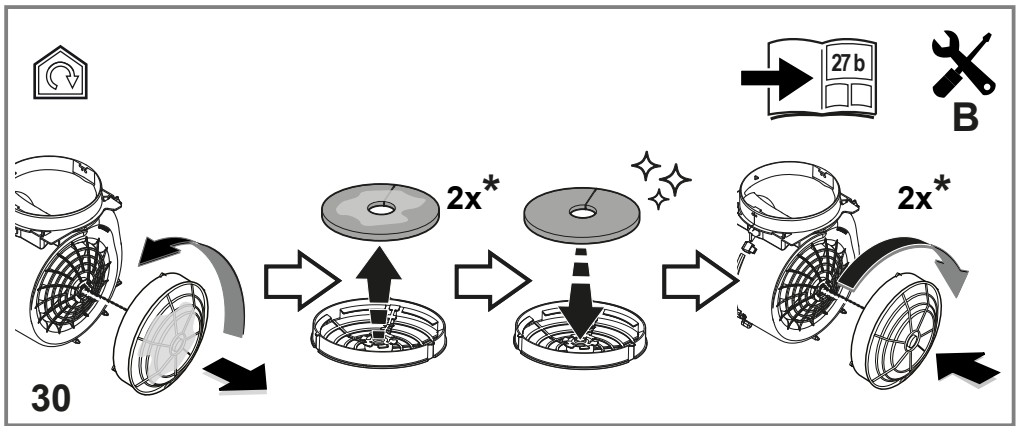
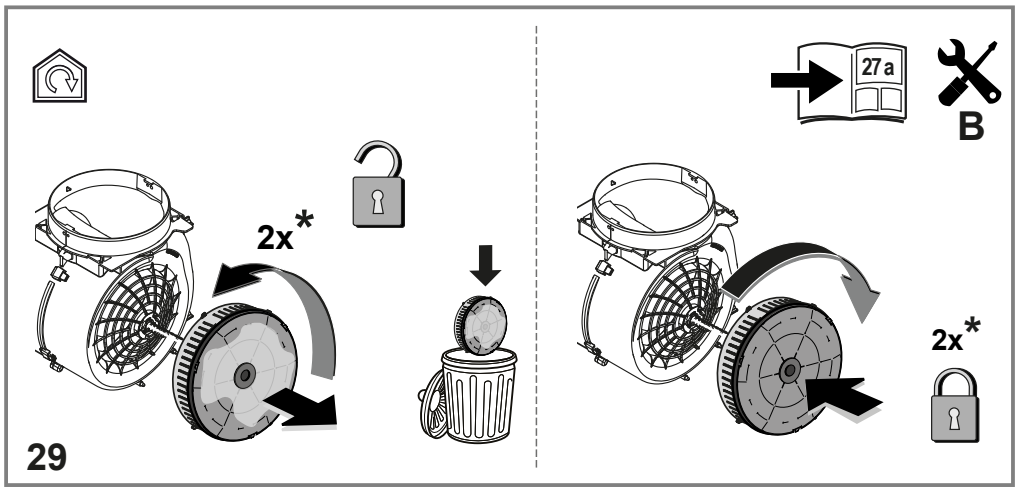


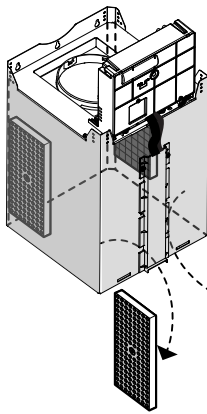
26.1



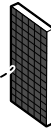
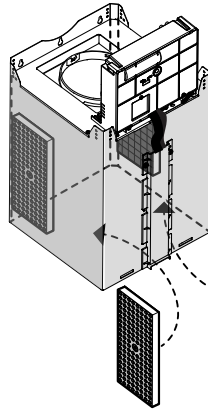
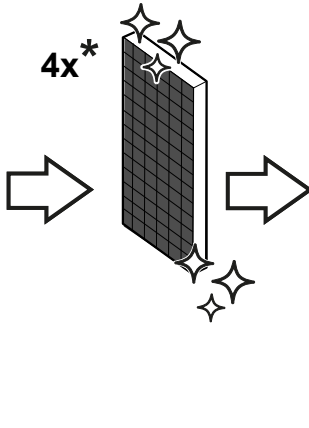
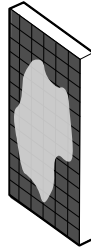
26.2







4x*



Importőr:

MULTIKOMPLEX BUDAPEST KFT.

A páraelszívók szakértője... 1995 óta

H-1211 Budapest Mansfeld Péter utca 27.

tel.: (36-1) 427 0325

www.multikomplex.hu



elica®



LIB0194657A Ed. 02/25