

LUCE

Version

Island 90 cm - Black - 800 m³/h

Collection

Design

EAN code

8034122348247



The photograph is purely for information
It may not correspond to the selected version.

FEATURES

- Scotch brite stainless steel (AISI 304)**
- Black tempered glass**
- Touch control + 24 h function**
- Neon lighting**
- Air Falmec filter for balanced suction**
- Charcoal filter included**

OPTIONAL ACCESSORIES

- KACL.557#1**
Extension H1200 - Island
- KACL.815**
Protective cleaning cloths for stainless steel (box 10 pcs)
- KACL.798#41F**
Remote under-roof motor 950 m³/h
- KACL.770#41F**
Remote under-roof 1100 m³/h
Brushless
- KACL.786#41F**
Outdoor extractor fan 1000 m³/h
- KACL.796#4AF**
Outdoor extractor fan 1500 m³/h
- KACL.797#4AF**
Remote under-roof motor 1300 m³/h

TECHNICAL FEATURES

- Installation type**
Island
- Dimensions**
90 cm
- Finishing**
Scotch brite stainless steel (AISI 304)
Black tempered glass
- Motor**
800 m³/h
- Type of control**
Touch control
- Speed settings**
4
- Filter**
Metallic filter "Air Falmec" - Wall 285x301 mm - 2 pz
- Charcoal filter**
Square charcoal filter - Type 3
- Minimum distance**
Gas hob: 63 cm
Electric hob: 52 cm

PACKAGING:WEIGHTS AND VOLUMES

- Gross weight**
38.00 kg
- Net weight**
32.00 kg
- Volume**
0.34 m³
- Packaging size**
Length
1035 mm
Height
740 mm
Depth
450 mm

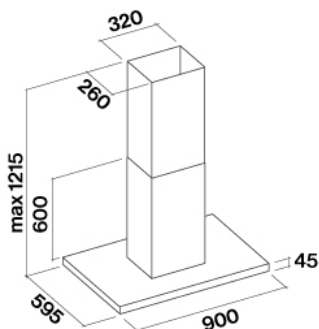
CONSUMPTION AND CONNECTION FEATURES

- Maximum consumption**
320 W
- Voltage / Frequency**
220-240V

50-60Hz
- Plug type**
Shuko

MOTOR TECHNICAL SHEET

- Maximum capacity**
680 m³/h
I.E.C. 61591
- Maximum noise level**
68 dB(A)re1pW
I.E.C.60704-2-13
- Maximum pressure (Pa)**
500 Pa
- Max. motor power**
215 W
- ENERGY CLASS**
C



LUCE

Version

Island 90 cm - Black - 800 m³/h

Collection

Design

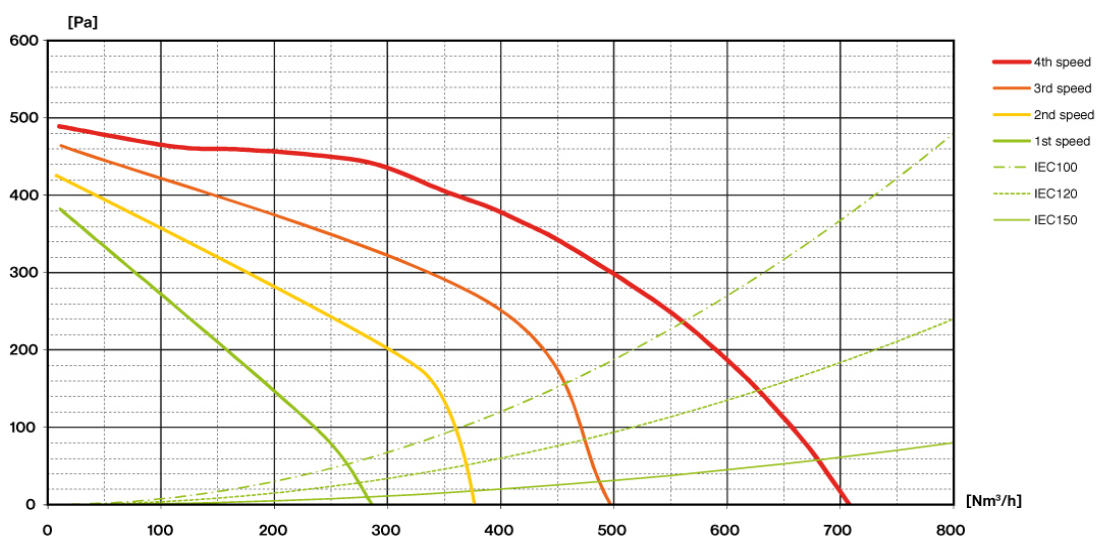
EAN code

8034122348247

MOTOR TECHNICAL SHEET

Motor speed	1	2	3	4
Noise level dB(A)re1pW-I.E.C.60704-2-13	49	56	62	68
Capacity (m ³ /h) I.E.C.61591 Normalized Pipes	280	370	480	680
Maximum pressure (Pa)	390	420	480	500
Motor Power (W)	132	153	175	215
Air outlet	150	150	150	150

CAPACITY / PRESSURE



LUCE

Version

Island 90 cm - Black - 800 m³/h

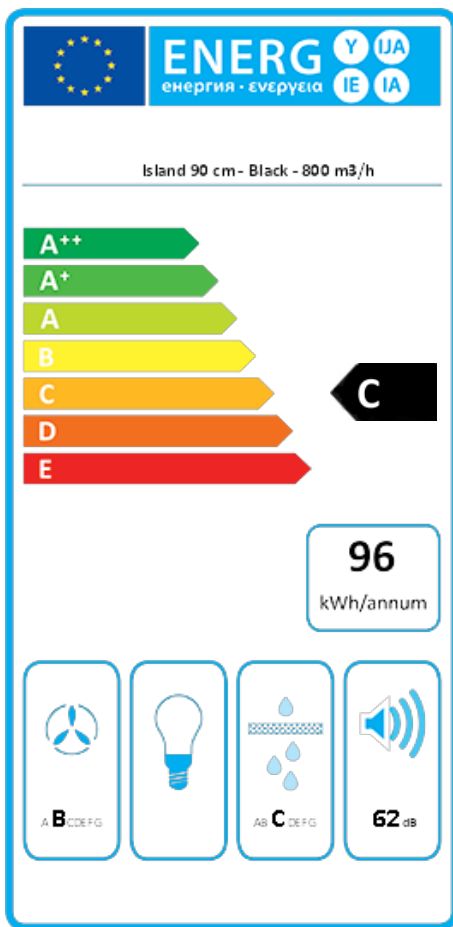
Collection

Design

EAN code

8034122348247

ENERGY LABEL



PF		
S	Falmec Spa	
M	Island 90 cm - Black - 800 m ³ /h	
AEC	95,9	kWh/a
ECC	C	
FDE	26,3	
FDEC	B	
LE	12,3	
LEC	O	
GFE	80,0	
GFEC	C	
Qmin	280,0	m ³ /h
Qmax	480,0	m ³ /h
Qboost	680,0	m ³ /h
SPEmin	49	dBa
SPEmax	62	dBa
SPEboost	68	dBa
PO	-	W
PS	0,48	W
PI		
F	1,1	
EEI	76,2	
Qbep	382,0	m ³ /h
Pbep	384	Pa
Qboost	680,0	m ³ /h
Wbep	155,1	W
WL	46,00	W
Emiddle	568	lex
Lwa-SPEmax	62	dBA

PF_Product fiche according to 65/2014 S_Supplier name / M_Model identification / AEC_Annual Energy Consumption (AEC hood) / EEC_Energy Efficiency class / FDE_Fluid Dynamic Efficiency (FDE hood) / FDEC_Fluid Dynamic Efficiency class / LE_Lighting Efficiency (LE hood) / LEC_Lighting Efficiency class / GFE_Grease Filtering Efficiency / GFEC_Grease Filtering Efficiency class / Qmin_Air flow (in m³/h) at min speed in normal use / Qmax_Air flow (in m³/h) at max speed in normal use / Qboost_Air flow (in m³/h) at intensive or boost setting (max air-flow) / SPEmin_Airborne acoustical A-weighted sound power emissions at min speed in normal use / SPEmax_Airborne acoustical A-weighted sound power emissions at max speed in normal use / SPEboost_Airborne acoustical A-weighted sound power emissions (in dB) at intensive or boost setting / PO_Power consumption in off mode (Po) / Ps_Power consumption in stand by mode (Ps). **PI_Additional information according to 66/2014** F_Time increase factor / EEI_Energy Efficiency Index / Qbep_Measured air flow rate at best efficiency point / Pbep_Measured air pressure at best efficiency point / Qboost_Maximum air flow / Wbep_Measured electric power input at best efficiency point / WL_Nominal power of the lighting system / Emiddle_Average illumination of the lighting system on the cooking surface / Lwa=SPEmax_Sound pressure level at the highest speed.