



Certificación
en proceso



SIBER HRV  3 & 4

ERV  3 & 4

HRV  3 PR & 4 PR

ERV  3 PR & 4 PR

Installation and User Manual

SUMMARY

1 DELIVERY	3
1.1 CONTENTS	3
1.2 OPTIONAL ACCESSORIES SIBER EVO 3&4	4
2 APPLICATION	5
2.1 IMPORTANT WARNINGS FOR CORRECT INSTALLATION	5
3 MODEL	6
3.1 TECHNICAL SPECIFICATIONS	6
3.2 CHARACTERISTIC CURVES	7
3.3 CONNECTIONS AND DIMENSIONS	9
3.4 EXPLODED VIEW OF THE UNIT	10
4 OPERATION	11
4.1 DESCRIPTION	11
4.2 BYPASS CONDITIONS	11
4.3 ANTI-ICE SAFETY	11
5 INSTALLATION	12
5.1 GENERAL INFORMATION	12
5.2 POSITION OF THE UNIT	12
5.3 CEILING MOUNTING	13
5.4 WALL MOUNTING	14
6 NOZZLE ORIENTATION	16
7 CONDENSATE DRAIN CONNECTION	18
8 CHANGING THE FILTERS	19
9 ELECTRICAL CONNECTION	20
9.1 CONNECTION TO THE POWER SUPPLY	20
10 MONITOR YOUR HOME - WIRELESS SENSORS/CONTROLS	22
11 SMART CONNECTIVITY	23
11.1 MODBUS - RS485	23
11.2 KNX - EVO CONNECT	23
11.3 ETHERNET BRIDGE - SIBER EVO APP	24
12 MAINTENANCE	25
12.1 MAINTENANCE OF THE FILTERS (FOR THE USER)	25
12.2 MAINTENANCE OF THE HEAT EXCHANGER (FOR THE INSTALLER)	26
12.3 EXPLODED VIEW AND DESCRIPTION	28
 WARRANTY CERTIFICATE	 29

1 DELIVERY

1.1 CONTENTS

Before starting to install the Double Flow VMC Unit with Thermal Energy Recovery, you must check that it is complete and intact upon delivery.

The contents of the **VMC SIBER EVO 3&4** Unit are:

1. VMC unit:

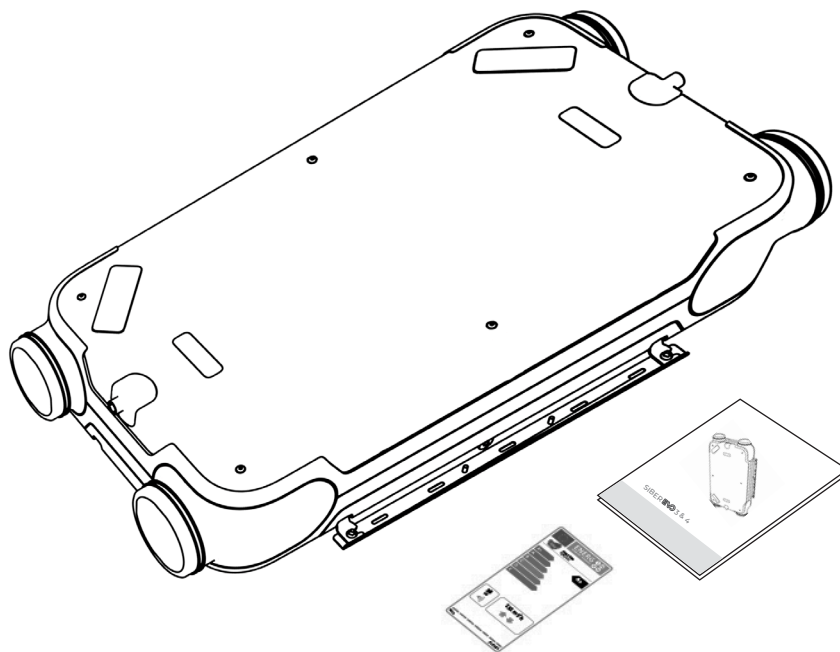
- **HRV EVO 3&4:** Thermal Energy Recovery with **standard core** or
- **ERV EVO 3&4:** Thermal Energy Recovery with **enthalpy core** or
- **HRV EVO 3&4 PR:** Thermal Energy Recovery with **standard core and preheater** or
- **ERV EVO 3&4 PR:** Thermal Energy Recovery with **enthalpy core and preheater**

2. Installation and User Manual

3. Ecodesign label

4. Installation guides

5. Bag containing silent blocks and fastening screws



Unit delivered without regulating control [\[see section 1.2 for optional accessories\]](#)

**If the unit has been delivered with visible defects, such as knocks or scratches, or if not all of the items and accessories indicated in the list above are included, please contact your supplier.*



Use of this unit is not authorised for people (including minors) with reduced intellectual capacities, limited physical capacities or those that lack the necessary experience and know-how, unless under supervision or they have received the necessary instructions on how to use the unit from a person responsible for their safety.



In any case, children should be supervised to make sure they do not play with the unit.

1.2 OPTIONAL ACCESSORIES SIBER EVO 3&4

DESCRIPTION	IMAGE	CODE
G4 FILTER COARSE 65%		DF34FG4
F7 FILTER ePM1 55%		DF34FF7
G4 + F7 FILTER COARSE 65% - ePM1 55%		DF34FG4F7
CARBON FILTER		DF34FCA
F9 FILTER ePM1 80%		DF34FF9
G4 + F9 FILTER COARSE 65% - ePM1 80%		DF34FG4F9
Wireless 4-position push-button control		DFPULS4B
Wireless smart multi-control		DFEVOCTRL
Wireless smart humidity sensor		DFEVOHR
Wireless smart CO2 sensor		DFEVOCO2
RF - Ethernet communication gateway		DFEVORFETH
RF - RS485 communication gateway		DFEVORFRS485
Connect Modbus master KNX converter		DFEVOCONNECT
Siber APP EVO smart monitoring of the unit and indoor air quality		Connectivity via Ethernet gateway (DFEVORFETH)

2 APPLICATION

The SIBER EVO 3&4 unit is a Double Flow Controlled Mechanical Ventilation Unit with Thermal Energy Recovery with a performance of up to 95%, a maximum ventilation capacity of **300 m³/h** for the **SIBER HRV/ERV EVO 3** and a maximum capacity of **400 m³/h** for the **SIBER HRV/ERV EVO 4**, with low energy consumption fans for both units.

Features of the SIBER HR/ERV EVO 3&4 unit:

- Continuous regulation of airflows via the control panel.
- Inclusion of a filter status indicator on the unit and the option of indicating the filter status on the position selector.
- New **smart anti-icing regulation** that ensures the unit continues to operate optimally even at low temperatures. If necessary, it starts a **preheater** (accessory **included as standard** in the HRV EVO 3&4 PR and ERV EVO 3&4 PR units and optionally in the HRV EVO 3&4 and ERV EVO 3&4 units).
- Low acoustic level.
- Equipped as standard with a bypass with automatic valve.
- Constant flow regulation.
- Energy savings.
- High performance.

The SIBER EVO 3&4 is available in 4 versions:

- **SIBER HRV EVO 3&4** (standard core)
- **SIBER ERV EVO 3&4** (enthalpy core)
- **SIBER HRV EVO 3&4 PR** (standard core and preheater)
- **SIBER ERV EVO 3&4 PR** (enthalpy core and preheater)

These installation instructions apply to all versions described above.

The SIBER EVO 3&4 can be **wall** or **ceiling mounted**, with the standard fixing brackets included.

For the correct position of the duct connections and their dimensions, [\[see section 3.3\]](#).

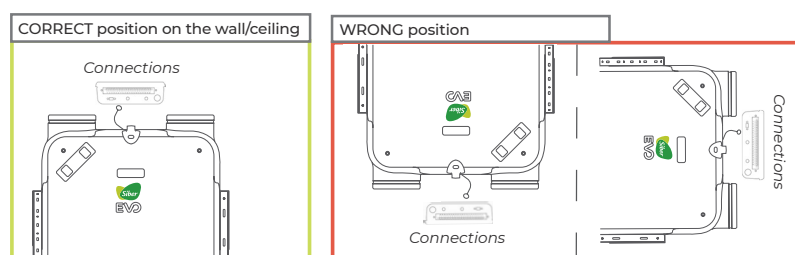
The unit comes with the **right-hand version** by default. It can be changed to the left-hand version with one simple step using the "mirror" function [\[see section 3.3\]](#). This versatility is not available on models with a standard preheater (HRV EVO 3&4 PR and ERV EVO 3&4 PR).

2.1 IMPORTANT WARNINGS FOR CORRECT INSTALLATION

Important! Do not install the unit outdoors without adequate protection against inclement weather such as rain, extreme frost, saline environments, etc.).

Important! When mounting the unit on a wall, **do not install it in horizontal position.**






In the case of wall mounting, **when installed in vertical position, place the printed circuit board connector at the top. The printed circuit board must never be at the bottom.**








Important! For the correct efficiency of the ventilation system, it is recommended to not disconnect the unit, except for maintenance

3 MODEL

3.1 TECHNICAL SPECIFICATIONS

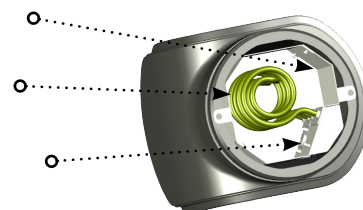
SIBER EVO 3					
Supply voltage	230 V/ 50 Hz				
Protection class	IP 44				
Dimensions (LxWxD)	1160 x 600 x 269 mm				
Connection diameter	Ø 160				
Condensate drain diameter	1/2"				
Weight	36 kg				
Filter class	Coarse 65% (G4)				
Fan position (standard)					
Wireless smart multi-control (optional)	0	1	2	3	Maximum
Ventilation flow (m ³ /h)	90	120	180	240	300

SIBER EVO 4					
Supply voltage	230 V/ 50 Hz				
Protection class	IP 44				
Dimensions (LxWxD)	1160 x 600 x 269 mm				
Connection diameter	Ø 160				
Condensate drain diameter	1/2"				
Weight	39 kg				
Filter class	Coarse 65% (G4)				
Fan position (standard)					
Wireless smart multi-control (optional)	0	1	2	3	Maximum
Ventilation flow (m ³ /h)	180	275	300	350	400

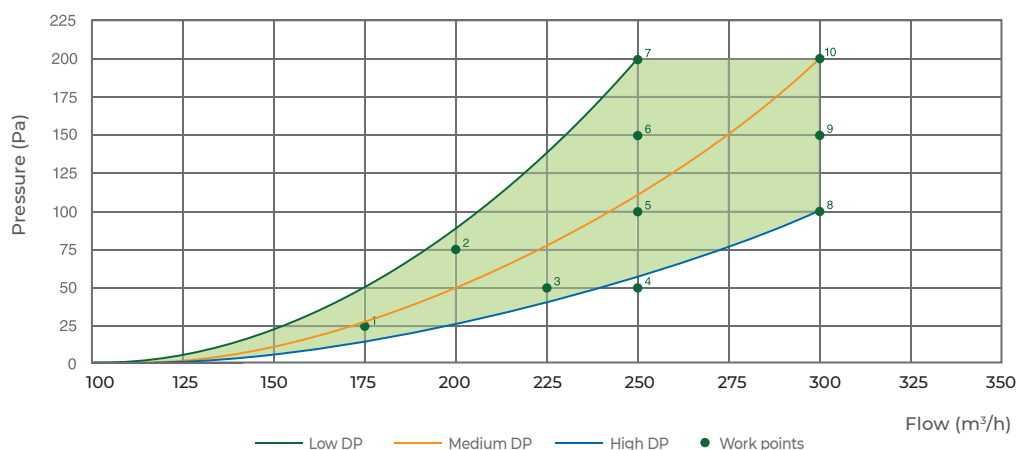
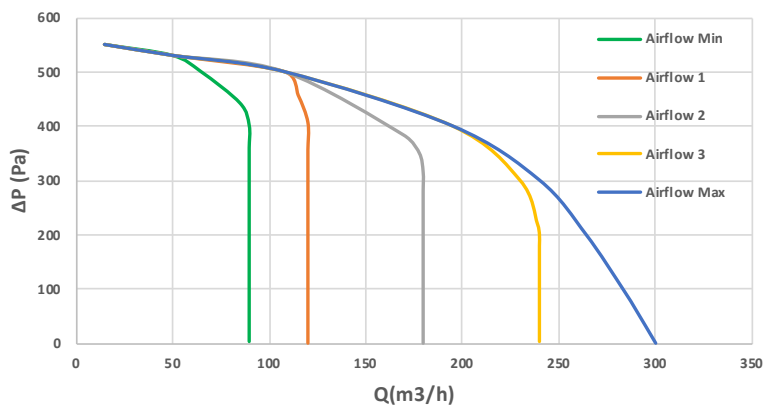
SIBER® HRV EVO 3&4 PR and ERV EVO 3&4 PR

The **1.000 W** thermal power preheater, fitted as standard on these models and installed on the outdoor air inlet connection, raises the temperature of the air entering the unit to **10°C**, protecting its ventilation recovery core in cold climates.

- ✓ Frame made of steel with AluZinc coating, highly resistant to corrosion
- ✓ Heating elements made of AISI304 stainless steel. Output power 1 kW
- ✓ Equipped with an automatic protection thermostat (40°C) that prevents overheating



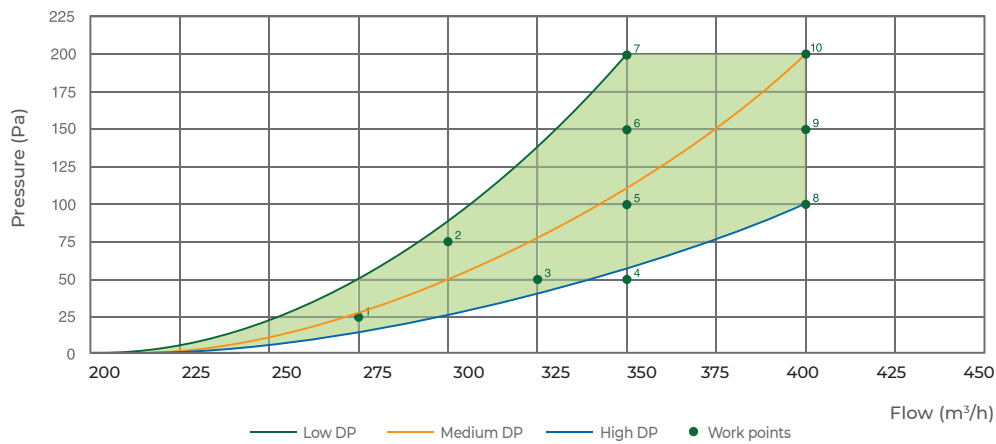
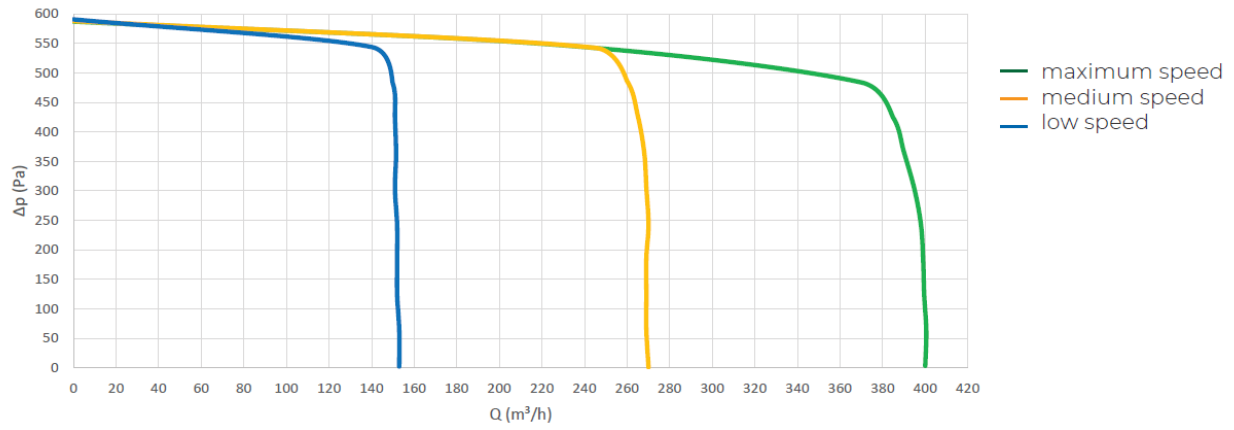
3.2 CHARACTERISTIC CURVES

SIBER® EVO 3


Work points	FLOW (m ³ /h)	PRESSURE (Pa)	POWER (W)	SFP (W/l/s)
1	175	25	28	0.58
2	200	75	56.2	1.01
3	225	60	66.5	1.06
4	250	60	84	1.21
5	250	120	106	1.53
6	250	150	113	1.63
7	250	200	151	2.17
8	300	100	133	1.60
9	300	150	146	1.75
10	300	200	153	1.84

SIBER® EVO 3 sound level		
Ventilation flow (m ³ /h)		210
Sound level L_w (A)	Static pressure (Pa)	50
	Box irradiation (dB(A))	45
	Extraction duct (dB(A))	47
	Insufflation duct (dB(A))	59

SIBER® EVO 4

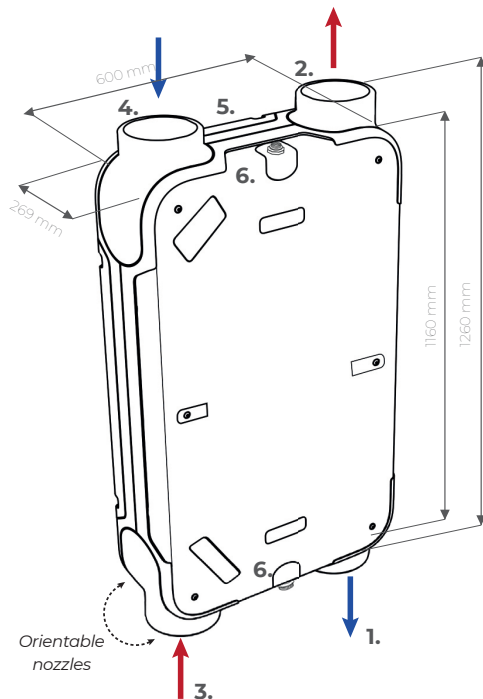


Work points	FLOW (m³/h)	PRESSURE (Pa)	POWER (W)	SFP (W/l/s)
1	275	25	86.4	1.13
2	300	75	122	1.46
3	325	60	143	1.58
4	350	60	168	1.73
5	350	100	162	1.67
6	350	150	192	1.97
7	350	200	234	2.41
8	400	100	235	2.12
9	400	150	257	2.31
10	400	200	280	2.52

SIBER® DF EVO 4 sound level		
Ventilation flow (m³/h)		275
Sound level Lw (A)	Static pressure (Pa)	50
	Box irradiation (dB(A))	45
	Extraction duct (dB(A))	47
	Insufflation duct (dB(A))	59

3.3 CONNECTIONS AND DIMENSIONS

SIBER EVO 3&4



STANDARD VERSION LEGEND*

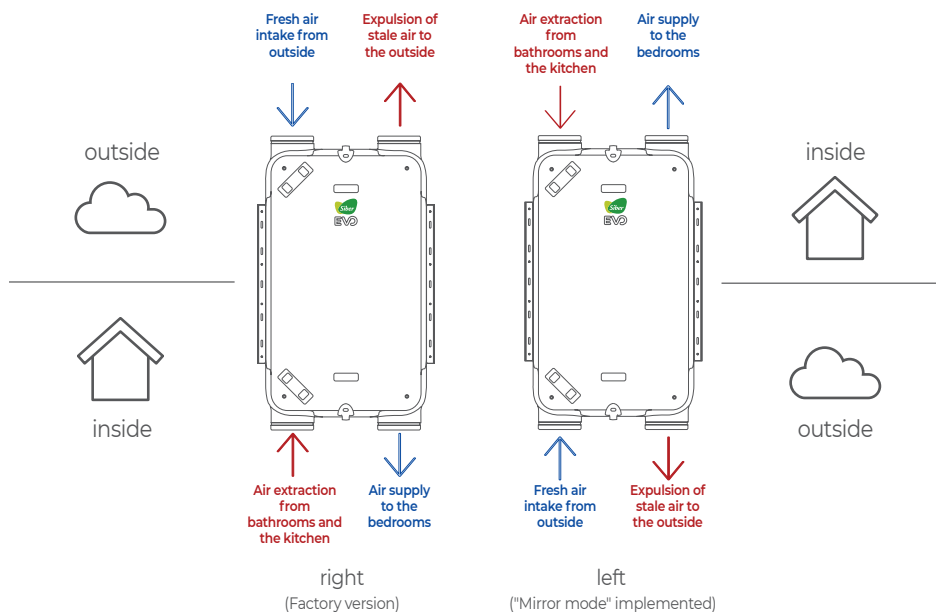
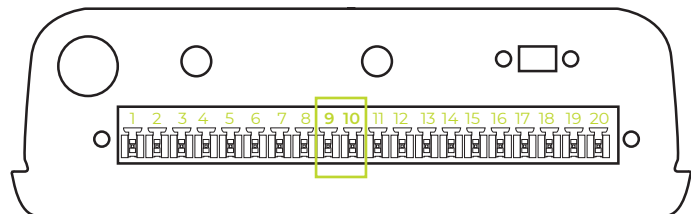
1	Expulsion of stale air
2	Fresh air supply to the home
3	Fresh air intake from outside
4	Extraction of stale air from inside the home
5	Electrical connection
6	Condensate drain connection

*Airflow model, right-hand version

MIRROR MODE VERSATILITY*

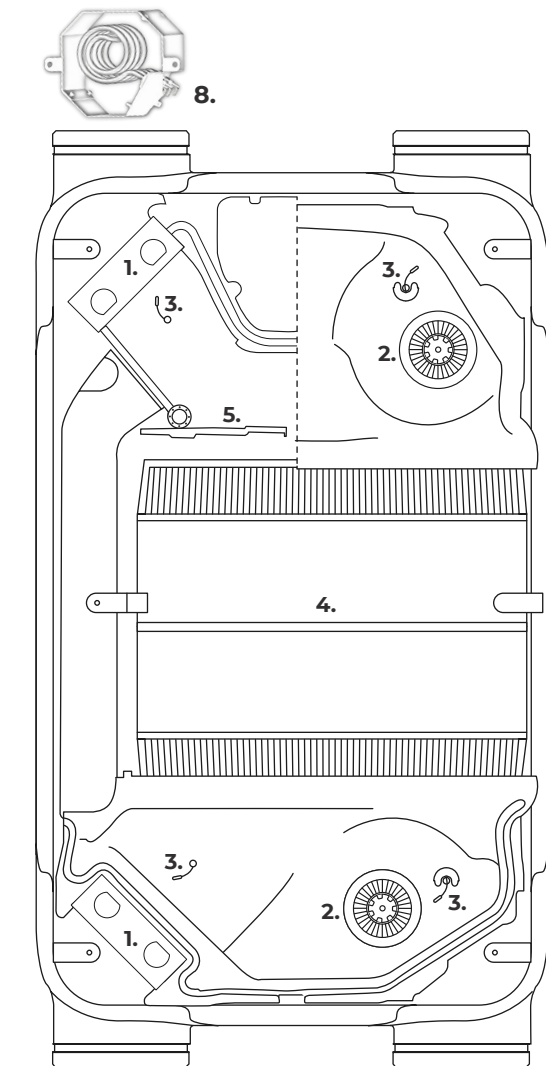
Important! To change the factory position (right), just jumper pin 9 - 10 with an electric cable and it will change to the left-hand version

Important! (*) This "mirror" mode is not available on the following models with preheater: HRV EVO 3&4 PR and ERV EVO 3&4 PR



3.4 EXPLODED VIEW OF THE UNIT

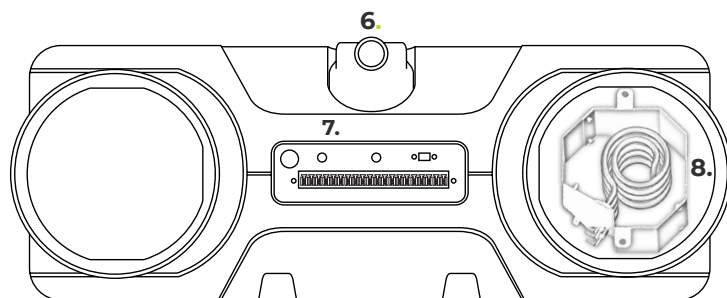
SIBER HRV/ERV EVO



LEGEND

1	High-performance filters
2	Low-consumption motors
3	Temperature sensors
4	High-performance heat exchanger
5	100% automatic bypass
6	Orientable condensate drain
7	Electrical connections
8	Preheater (*)

(*) Only included as standard on the following models:
HRV EVO 3&4 PR and ERV EVO 3&4 PR



4 OPERATION

4.1 DESCRIPTION

The unit is delivered ready to connect to the power supply and operates fully automatically. The stale air extracted from the inside transfers the thermal energy (calories/B.T.U.s) to the fresh air coming from the outside. This saves energy in air conditioning, as the fresh, clean air is supplied to the home at a conditioned temperature (cool in summer, warm in winter).

Depending on the type of regulating control used, there may be up to five ventilation positions. The airflow is regulated by the regulating position. Constant volume regulation means that the airflow of the supply and extraction fans is obtained independently of the duct pressure.

4.2 BYPASS CONDITIONS

The bypass fitted as standard allows fresh air from outside to be supplied directly, without passing through the heat exchanger, thus taking advantage of the comfort temperatures that may occur at certain times outside, such as summer nights when you want fresh air to enter from the outside in order to cool the inside of the home (free-cooling).

The bypass valve is activated automatically when a certain number of conditions are met (see table below for bypass values).

Bypass gate conditions	
Bypass valve open	<ul style="list-style-type: none"> • The outside temperature is above 10°C. • In summer, the outside temperature is 3°C lower than the temperature of the air extracted from the home, and lower than the comfort temperature. • In winter, the outside temperature is 3°C higher than the temperature of the air extracted from the home, and higher than the comfort temperature.
Bypass valve closed	<ul style="list-style-type: none"> • The outside temperature is below 10°C. • In summer, the outside temperature is higher than the temperature of the air extracted from the home, and higher than the comfort temperature. • In winter, the outside temperature is lower than the temperature of the air extracted from the home, and lower than the comfort temperature.



The unit automatically detects the season (winter/summer) and will operate according to the selected bypass temperature.

4.3 ANTI-ICE SAFETY

To prevent ice from forming on the heat exchanger when there are very low temperatures outside, the SIBER EVO 3&4 is equipped with **smart anti-icing protection**.

The thermostatic sensors measure the temperatures in the heat exchanger and, if necessary, a progressive imbalance is established in the automatic equipment.

Until **-2°C** (on models without a preheater: HRV EVO 3&4 and ERV EVO 3&4) or **-16°C** (on models with a preheater: HRV EVO 3&4 PR and ERV EVO 3&4 PR) is reached, the unit will stop, checking if the temperature is suitable for operation every hour.

5 INSTALLATION

5.1 GENERAL INFORMATION

The installation must be carried out in accordance with:

- Ventilation quality requirements for rooms (CTE HS3 – RITE 2007).
- Quality requirements for balanced ventilation of homes (CTE HS3).
- Requirements for the ventilation of rooms and homes (CTE HS3).
- Safety requirements for low-voltage installations.
- Requirements for connecting drains to sewage systems in rooms and homes.
- Any additional requirements of local energy distribution companies.
- Installation instructions for the SIBER EVO 3&4 unit.

5.2 POSITION OF THE UNIT

The SIBER EVO 3&4 can be fixed directly to the **wall** or **ceiling** using the fixing brackets included for this purpose.



Important! For correct installation of the unit [\[see also section 2.1\]](#).



Warning! Depending on the weight of the unit, the unit must always be installed by two people.

For a vibration-free result, a wall or ceiling with a minimum mass of 200 kg/m² must be used as the suspension surface. It is not sufficient for the wall or ceiling to be made of concrete or metal structures. In these cases, additional measurements will be necessary, such as double plate reinforcement or additional brackets. The following points should be taken into account:

- The unit must be set level, both in terms of length and width.
- The installation space must be selected to ensure good condensate drainage, with a trap and a slope for condensation water.



Warning! Make sure that the condensate drain slope is not positive or parallel to the unit.

Warning! The unit is only designed for wall or ceiling mounting. Never install it directly on the floor.

- The installation space must be protected from the weather and frost.
- Make sure there is enough space around and under the unit so that filters can be replaced or cleaned properly and maintenance can be carried out.

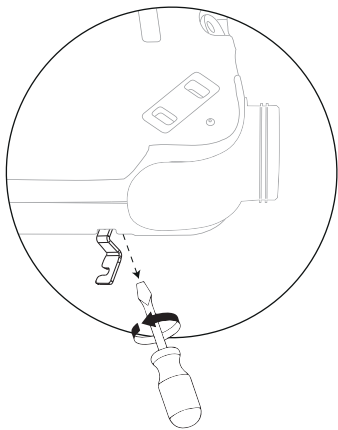
5.3 CEILING MOUNTING



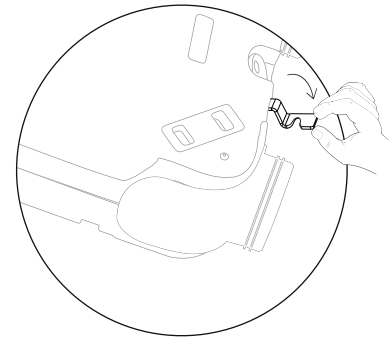
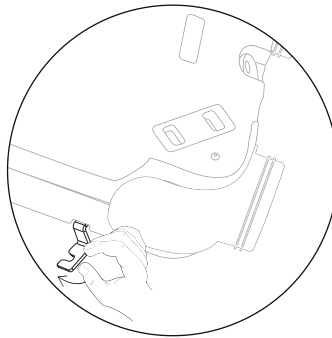
⚠ Important! For correct installation of the unit on the ceiling [see also sections 2.1, 5.2 and 7].

1 By default, the unit comes with the silent block hooks fitted on the long side.
To change them to the short side, follow the steps below:

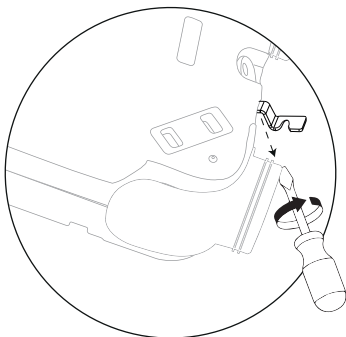
1.1 Unscrew the silent block hooks



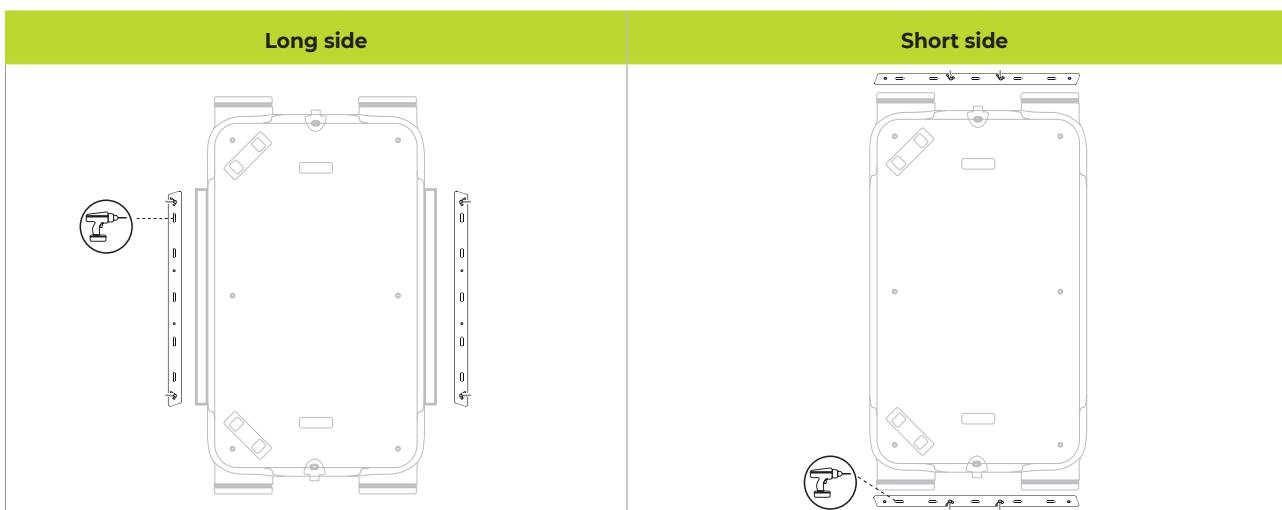
1.2 Change the silent block hooks to the short side, maintaining the same direction.



1.3 Screw the silent block hooks into the new position.

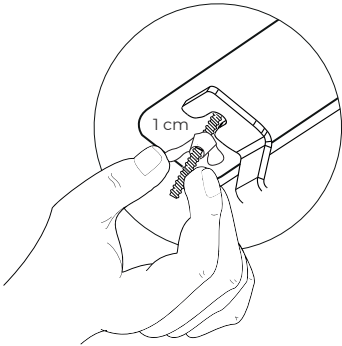


2 Drill the marked surface and screw the fixing brackets into the oval holes.

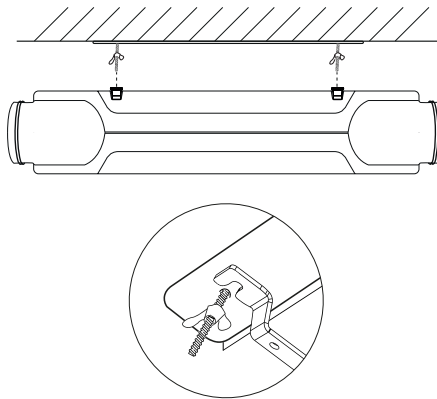


⚠ The fixing brackets must be spaced 630 mm apart on the long sides (standard version) and 1,195 mm apart on the short sides.

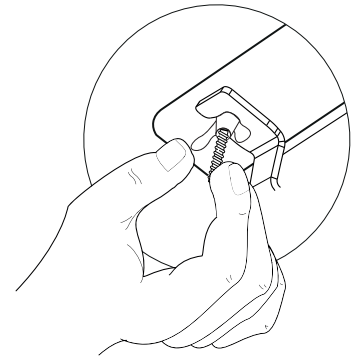
- 3 Loosen the wing nuts and leave 1 cm of space



- 4 Place on top of the guide and slide until it engages with the threaded rod.



- 5 Tighten the wing nuts



5.4 WALL MOUNTING



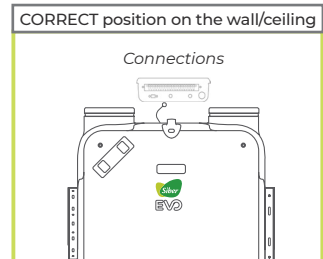
! **Important!** For correct installation of the unit on the ceiling [see also sections 2.1, 5.2 and 7].

! **Caution**

In the case of wall mounting, the unit must always be installed in vertical position in order to allow proper drainage of condensate via the drain pipe

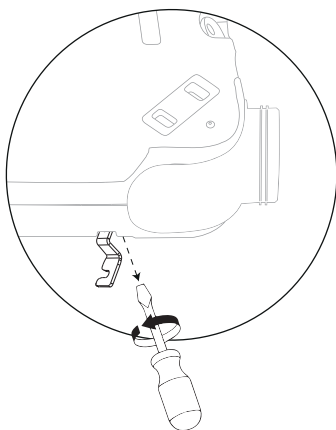
! **Caution**

When installed in vertical position, place the printed circuit board connector on top. The printed circuit board must never be at the bottom.

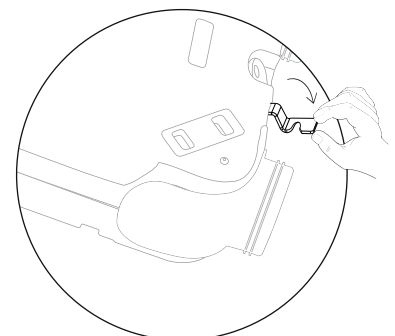
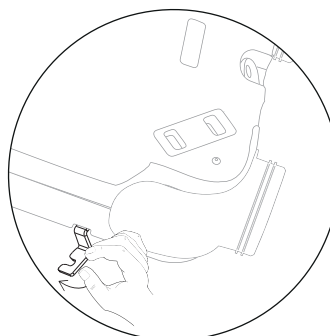


- 1 By default, the unit comes with the silent block hooks fitted on the long side. To change them to the short side, follow the steps below:

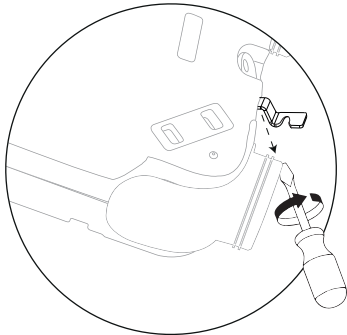
- 1.1 Unscrew the silent block hooks



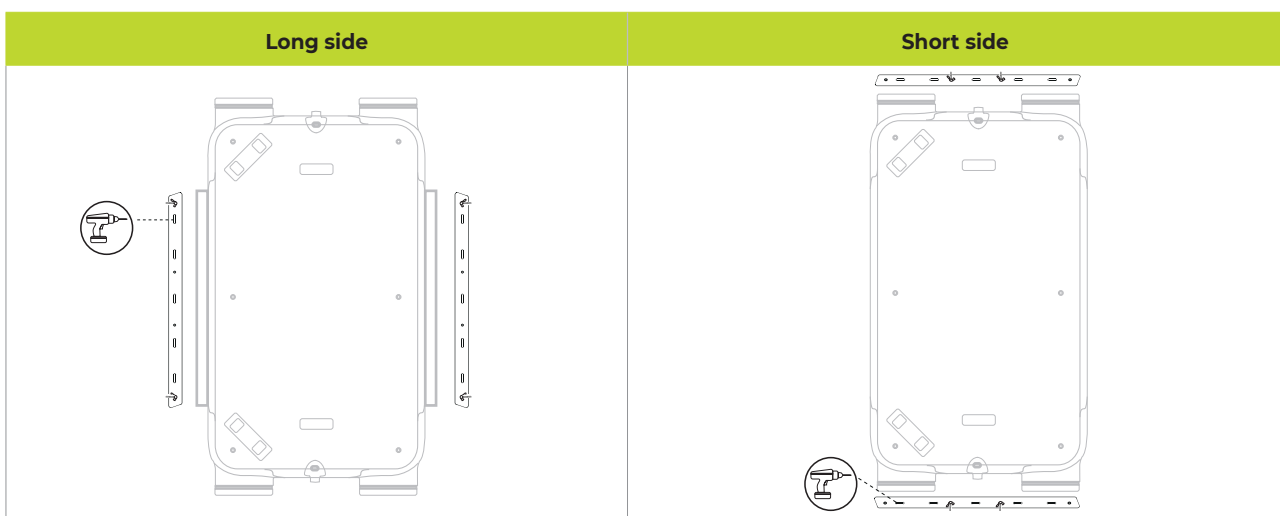
- 1.2 Change the silent block hooks to the short side, maintaining the same direction.



1.3 Screw the silent block hooks into the new position.

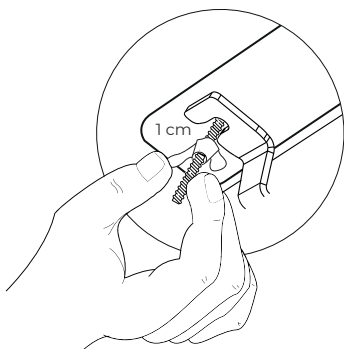


2 Drill the marked surface and screw the fixing brackets into the oval holes.

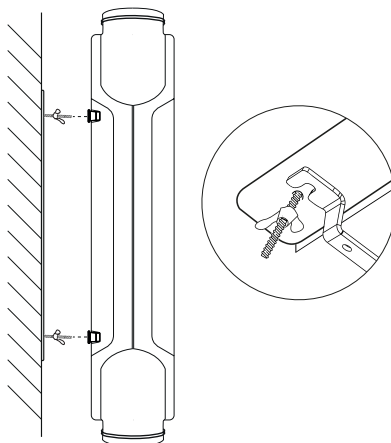


! The fixing brackets must be spaced 630 mm apart on the long sides (standard version) and 1,195 mm apart on the short sides.

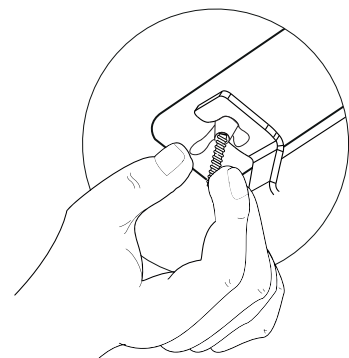
3 Loosen the wing nuts and leave 1 cm of space



4 Place on top of the guide and slide until it engages with the wing nuts



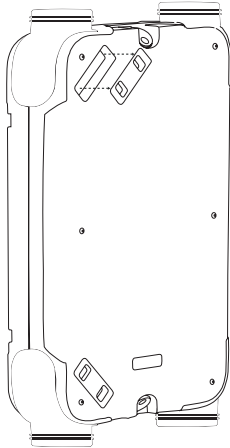
5 Tighten the wing nuts



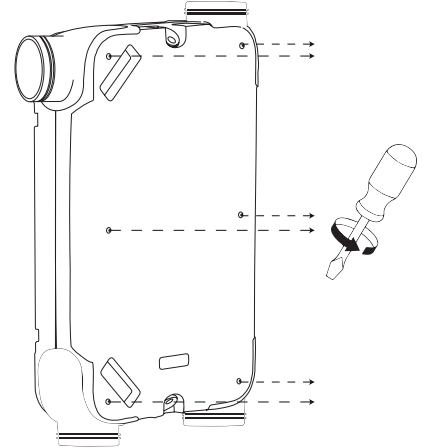
6 NOZZLE ORIENTATION

To change the default direction of the nozzles, follow the steps below:

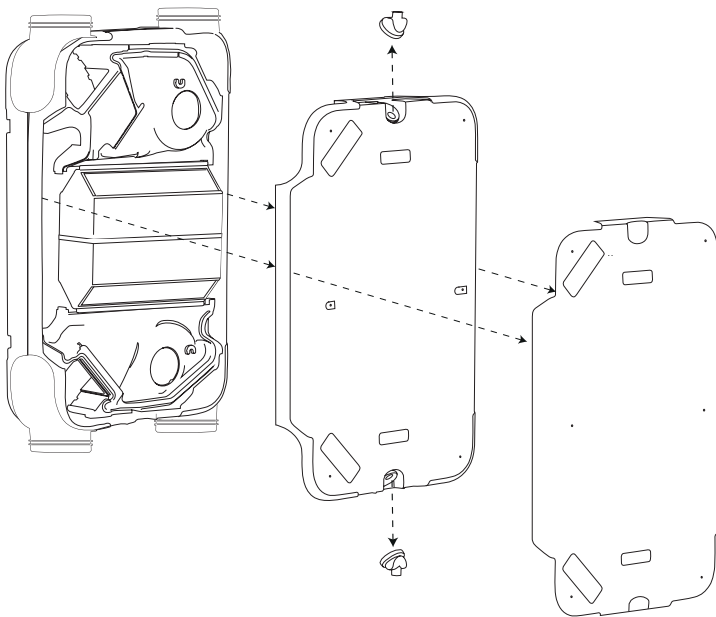
- 1 Remove the filter covers



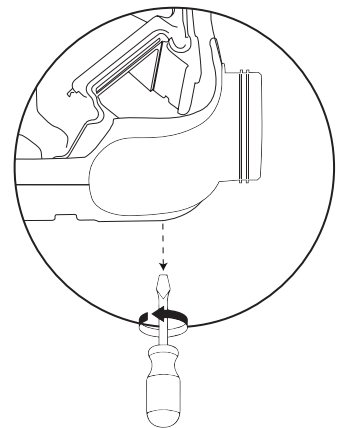
- 2 Unscrew the outer cover



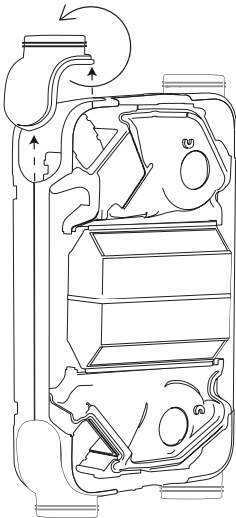
- 3 Remove the outer cover and the front polypropylene from the unit, leaving the interior exposed



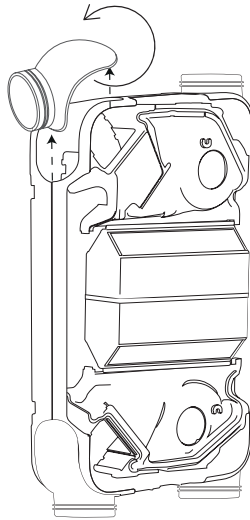
- 4 Unscrew the nozzle from the back



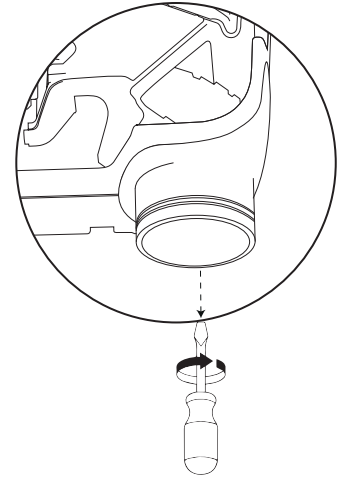
5 Lift the nozzle



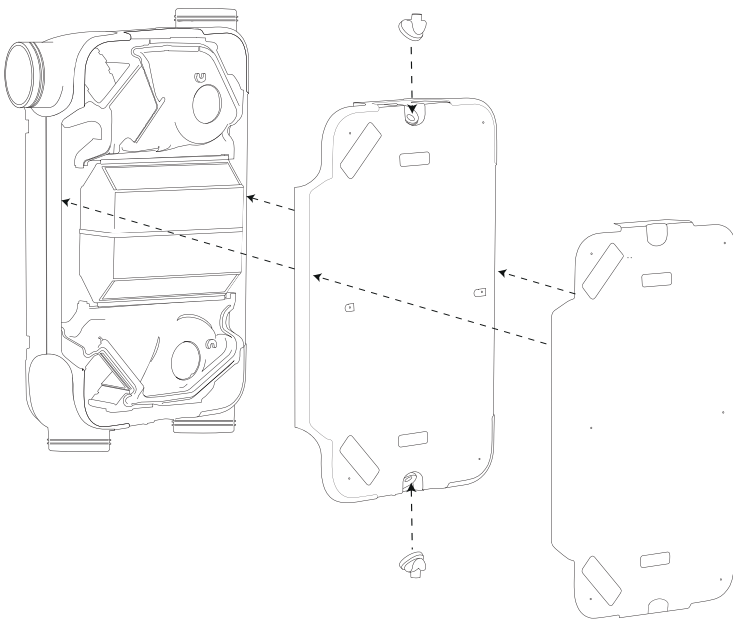
6 Turn the nozzle



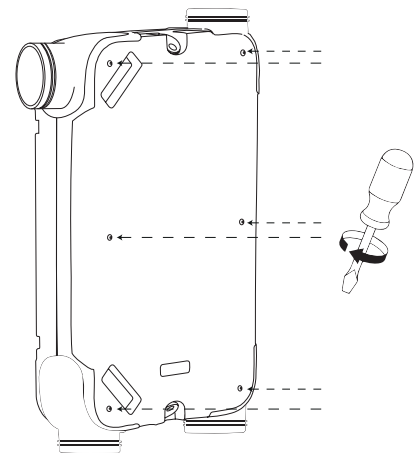
7 Screw the nozzle back on from the back



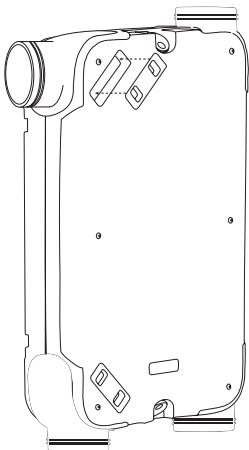
8 Fit the outer and inner covers of the unit



9 Screw the outer cover on



10 Replace the filter covers



7 CONDENSATE DRAIN CONNECTION

The **SIBER EVO 3&4** must always be equipped with a condensate drain. The condensation water must be drained, except on models with an enthalpy core (ERV EVO 3&4 and ERV EVO 3&4 PR), where this is not necessary.

The 1/2" male threaded condensate drain connection fitting (not included with the unit) must be screwed into the unit's condensate tank by the installer.

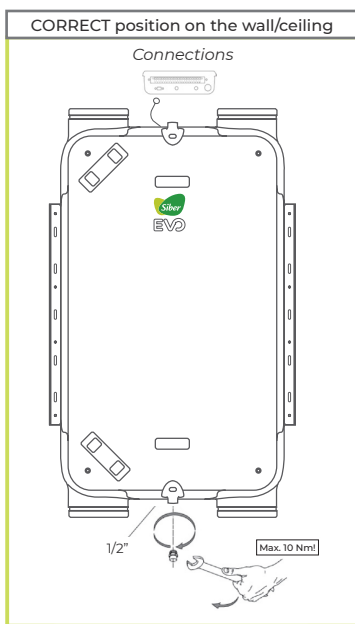
! Important! Always use a detachable condensate drain fitting between the trap and the unit for proper maintenance

The condensate drain pipe can be mounted below. The installer can adjust the condensate drain so it is in the required position. The drain must end at the trap's water level.

Use a condensate drain pipe with a diameter of 32 mm.

! Pay particular attention in the case of ceiling mounting to ensure that the condensate drain is below the level of the **SIBER EVO 3&4**

! Caution! Only the condensate drain is connected, the other drain must remain closed with the plug provided. In the case of models with an enthalpy core (HRV EVO 3&4 ENT and ERV EVO 3&4 PR), the two drains must be closed with two plugs, as it is not necessary to connect them to a condensate drain.



! Attention!

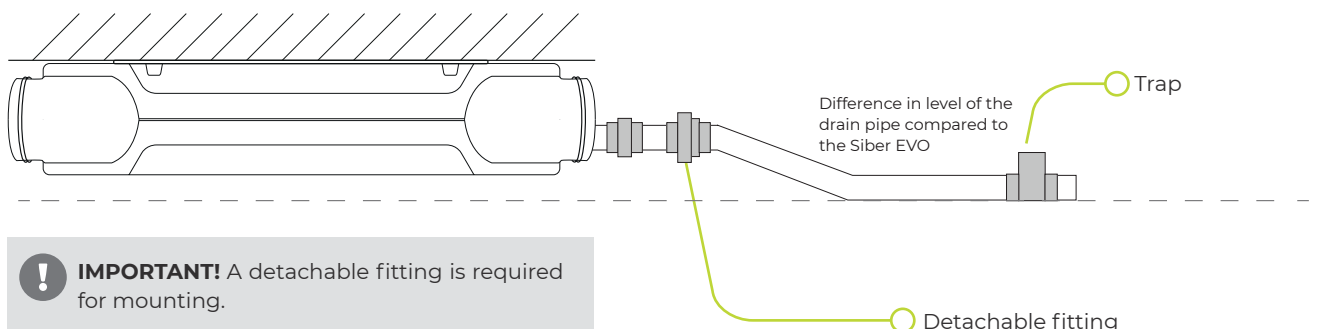
In the case of ceiling mounting: install the condensate trap in the drain on the side where the ducts lead to the outside. The other drain must be covered with the plug provided.

In the case of wall mounting: install the condensate trap in the lower drain on the equipment. The other drain must be covered with the plug provided.



! Caution! For the unit's warranty to remain valid, an original Siber dry trap must be installed (dry ball trap/dry flexible trap).

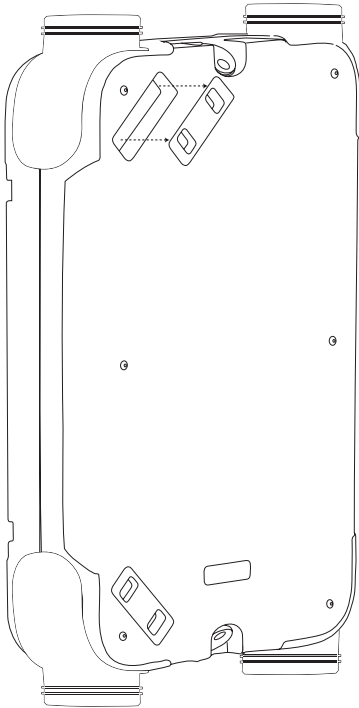
If the condensate is drained in another way and any unintended event occurs in after-sales related to condensate drainage, Siber is exempted from any liability and it will be the responsibility of the installation company that has carried out the installation to resolve any issue and bear any associated costs.



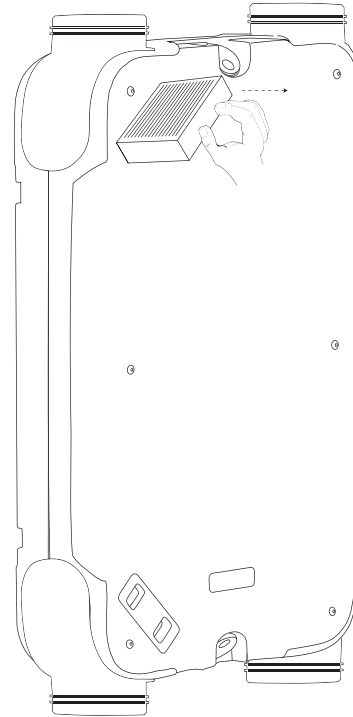
! IMPORTANT! A detachable fitting is required for mounting.

8 CHANGING THE FILTERS

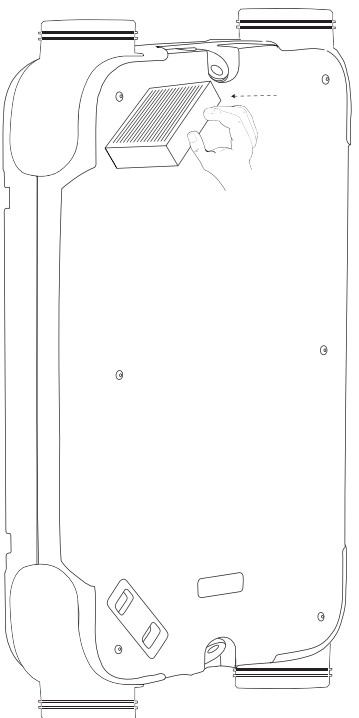
1 Remove the filter cover.



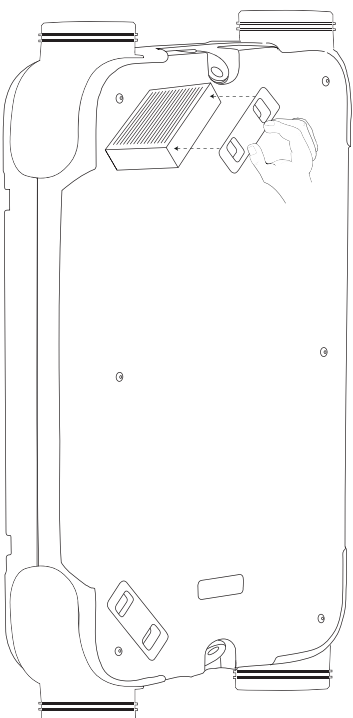
2 Pull the filter out.



3 Place the new filter in the slot and press it in.



4 Replace the filter covers



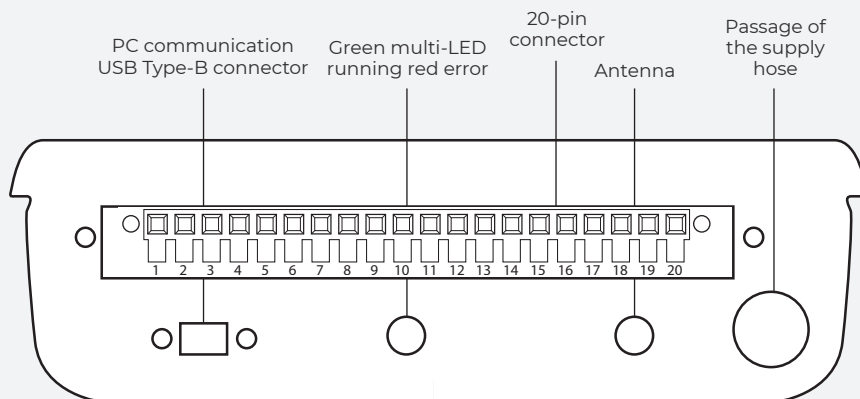
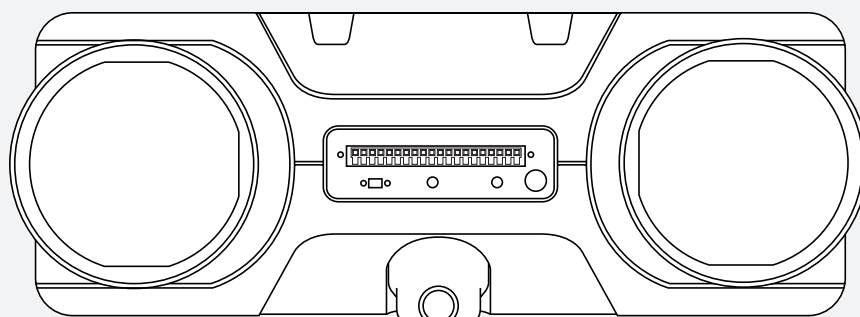
9 ELECTRICAL CONNECTION

9.1 CONNECTION TO THE POWER SUPPLY

The electrical installation must correctly comply with the corresponding standards.

Warning! The fans and the control circuit will operate at 230 V. If handling or maintenance work is carried out, the unit must be disconnected from the mains.

HOSE IDENTIFICATION COLOURS	
BROWN	Line
BLUE	Neutral
GREEN/YELLOW	Earth



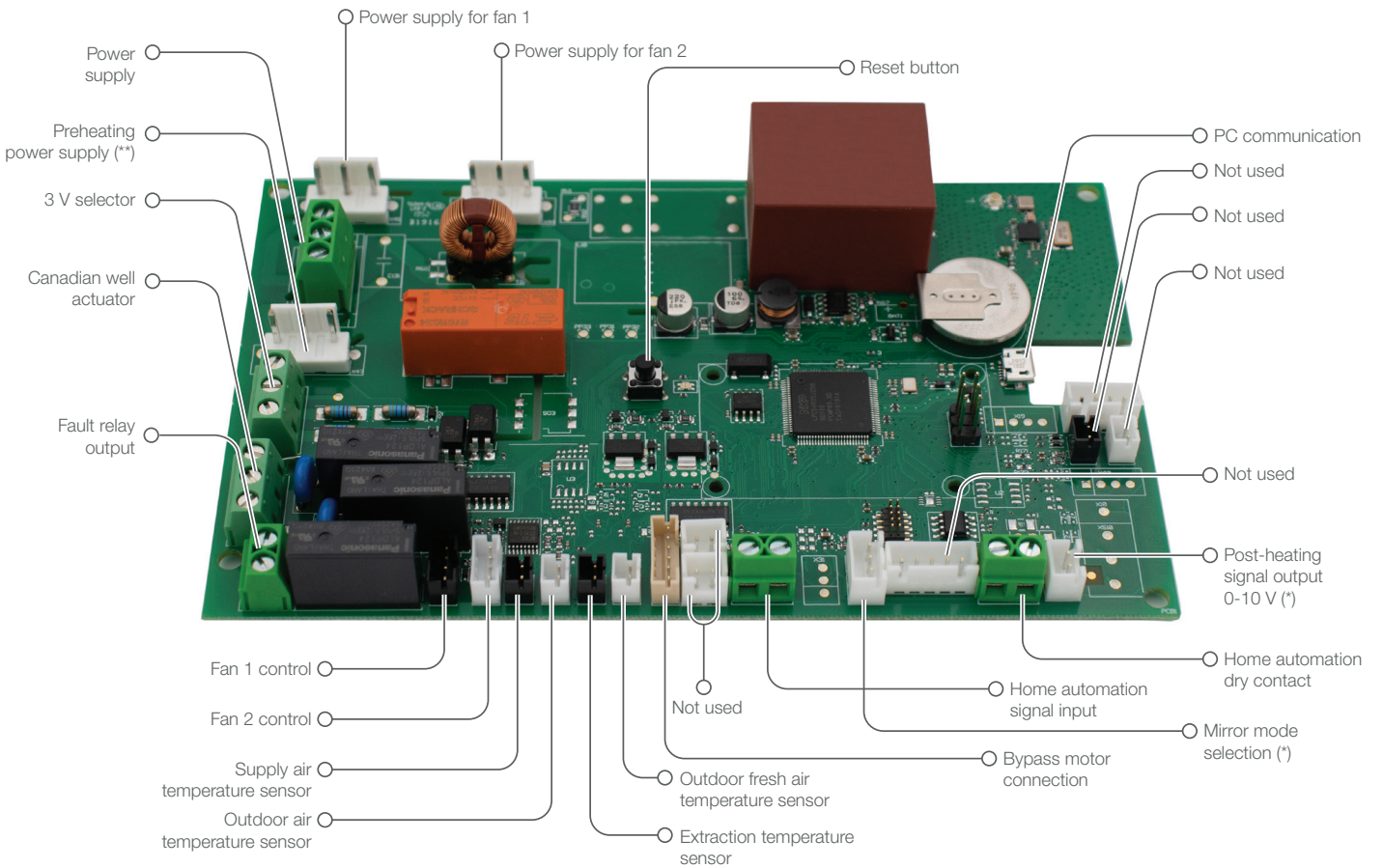
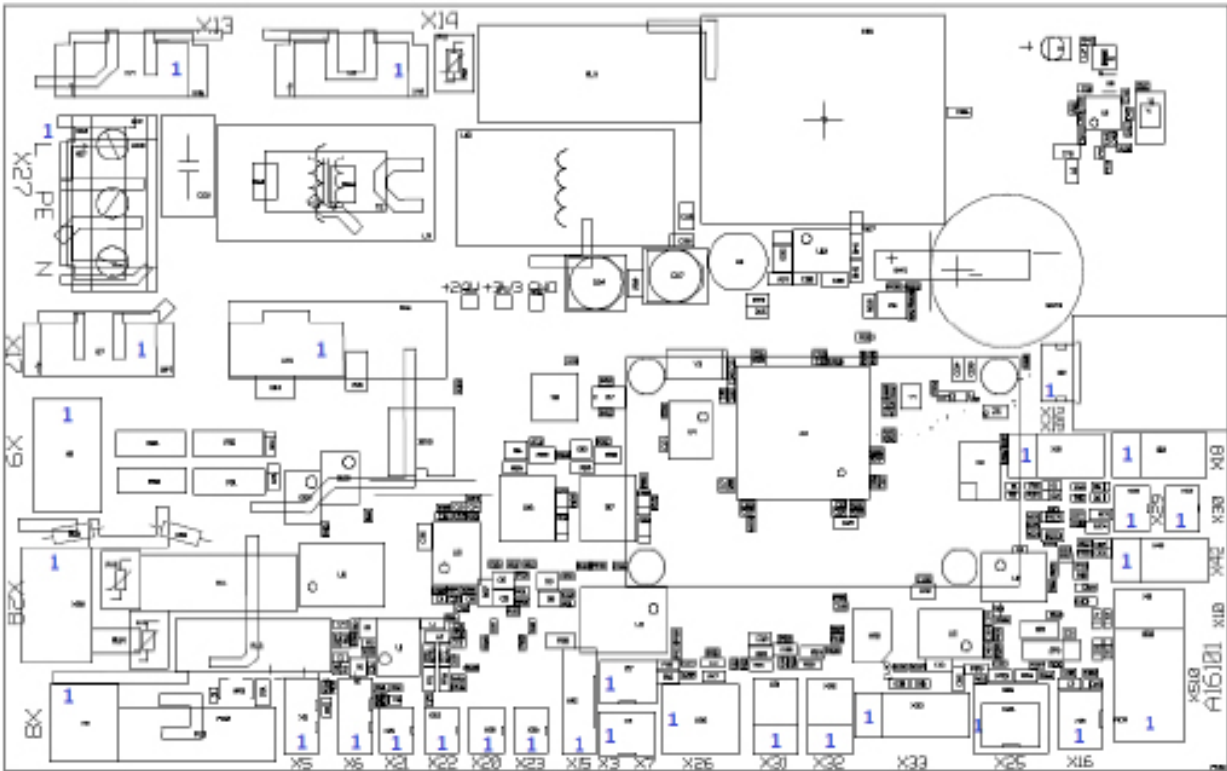
Integrated smart control card.

NUMBERING AND DESCRIPTION OF PIN CONNECTORS

CONNECTOR	DESCRIPTION	BOARD	CONNECTOR	DESCRIPTION	BOARD
PIN 1	Home automation input 10 V	X-26	PIN 11	Not used	
PIN 2	Home automation input 0 V	X-26	PIN 12	Common selector 3 V V1 230 V	X-9
PIN 3	Home automation dry contact input	X-25	PIN 13	Selector 3 V V2	X-9
PIN 4	Home automation dry contact input	X-25	PIN 14	Selector 3 V V3	X-9
PIN 5	Forecast sensor external Canadian well	Forecast	PIN 15	Preheating output 230 V (**)	X-17
PIN 6	Forecast sensor external Canadian well	Forecast	PIN 16	Preheating output Earth (**)	X-17
PIN 7	Post-heating signal output 10 V (*)	X-16	PIN 17	Preheating output Neutral (**)	X-17
PIN 8	Post-heating signal output 0 V (*)	X-16	PIN 18	Output 230 V Close Canadian well actuator	X-28
PIN 9	Mirror mode NO/NC (*)	X-32	PIN 19	Output 230 V Open Canadian well actuator	X-28
PIN 10	Mirror mode NO/NC (*)	X-32	PIN 20	Neutral output Canadian well actuator	X-28

(*) Pins **not used** on models with preheater included as standard: HRV EVO 3&4 PR and ERV EVO 3&4 PR.

(**) On models with a preheater included as standard, these pins are for the **post-heater** (optional) and not for preheating.



(*) Pins **not used**, on models with preheater included as standard: HRV EVO 3&4 PR and ERV EVO 3&4 PR

(**) On models with a preheater included as standard, this power supply is for the **post-heater** (optional) and not for preheating.

10 MONITOR YOUR HOME - WIRELESS SENSORS/CONTROLS

Take care of your and your family's health by monitoring the air quality in your home!

The Siber EVO 3&4 unit can have various wireless accessories (optional):

- Wireless CO₂ sensor
- Wireless humidity (RH) sensor
- Wireless smart multi-control
- Wireless 4-position push-button control

Siber EVO 3 & 4 sensors/control (optional)	
Wireless multi-control	DFEVOCTRL
Wireless 4-position push-button control	DFPULS4B
Wireless CO ₂ sensor	DFEVOCO2
Wireless humidity (RH) sensor	DFEVOHR



The **Siber wireless smart multi-control** communicates via RF (radio frequency) with the ventilation unit and can choose from five different flow speed positions linked to the unit. It is a user and installation interface for supervising and configuring the connected heat recovery unit. It has multiple functions connected to the unit.



The **Siber wireless 4-position push-button control** communicates via RF (radio frequency) with the ventilation unit and can choose from four different positions linked to the unit. It has a dirty filter indicator.



The **Siber wireless CO₂ sensor** controls the CO₂ level of the air inside the home. It measures the CO₂ in the rooms of the home and sends its measurements via RF (radio frequency) to the Siber EVO 3&4 unit. The unit will be able to react and vary the appropriate ventilation flow in order to ensure the indoor air quality according to the information from the sensor.



The **Siber wireless RH (Relative Humidity) sensor** monitors the relative humidity of the air inside the home. It measures the indoor humidity in humid rooms and sends its measurements via RF (radio frequency) to the Siber EVO 3&4 unit. The unit will be able to react and vary the appropriate ventilation flow in order to ensure the indoor air quality according to the information from the sensor.

11 SMART CONNECTIVITY

You can make your home a smart home (optional) using various gateways, as well as connect the unit to your mobile device with the Siber EVO APP.

- MODBUS - RS485
- KNX - Evo Connect
- Ethernet bridge (specific Siber EVO APP connection)

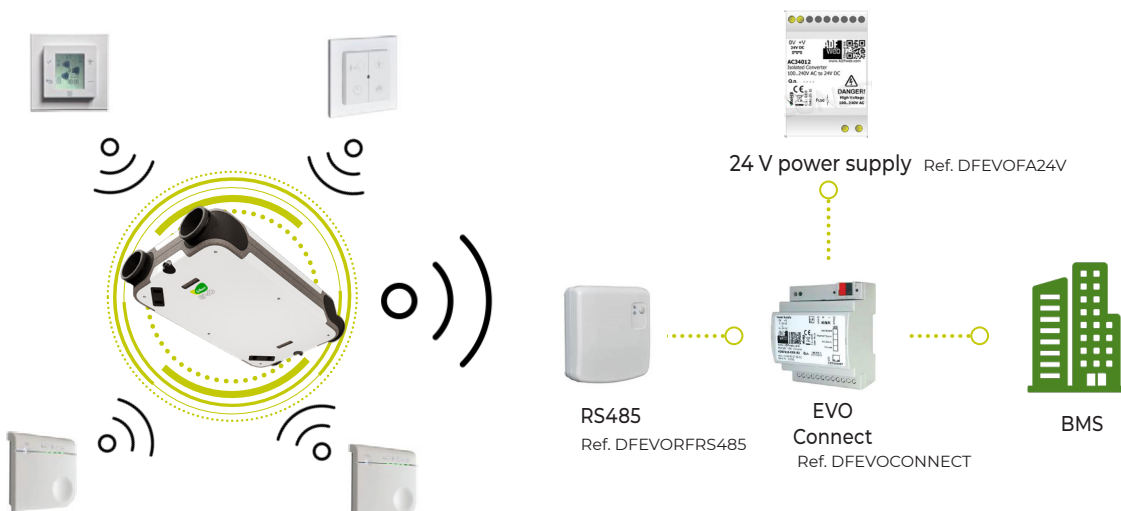
11.1 MODBUS - RS485

- » The Siber RS485 (DFEVORFRS485) device connects to the Building Management System (BMS) via cable, in Modbus language for reading and writing data. It collects information from Siber EVO 3&4 units and compatible wireless sensors and controls (DFPULS4B, DFEVOCTRL, DFEVOCO2 and DFEVOHR) that are linked to this ventilation unit.



11.2 KNX - EVO CONNECT

- » The EVO CONNECT (DFEVOCONNECT) device is a modbus/knx converter that must be connected via cable to the gateway (Modbus - RS485) to translate the information collected by the gateway (Modbus - RS485) and send it via cable to the BMS. It collects information from Siber EVO 3&4 units and compatible wireless sensors and controls (DFPULS4B, DFEVOCTRL, DFEVOCO2 and DFEVOHR) that are linked to this ventilation unit.
- » The Evo Connect requires a 24 V power supply in order to operate correctly.



11.3 ETHERNET BRIDGE - SIBER EVO APP

Thanks to the smart control system, the most important elements can be monitored online, meaning that the air quality inside the home can be controlled and monitored via the Siber EVO APP.

- Control and regulation of the unit's speeds.
 - Monitoring of the home's CO₂ and relative humidity.
- » The Siber EVO 3&4 unit collects information from compatible wireless sensors and controls (DFPULS4B, DFEVOCTRL, DFEVOCO2 and DFEVOHR) via radio frequency.
- » The information is sent to the Ethernet gateway (Ethernet bridge - DFEVORFETH), whose device must be connected by cable to the home's internet modem, transferring the collected data to the "cloud" in order to provide access and monitoring of the data via the Siber EVO APP.



12 MAINTENANCE

12.1 MAINTENANCE OF THE FILTERS (FOR THE USER)

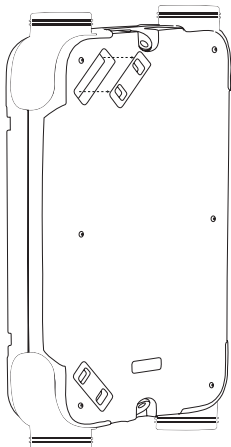
It is recommended to check the filters every three months. The filters must be cleaned every six months and must be replaced at least once a year.



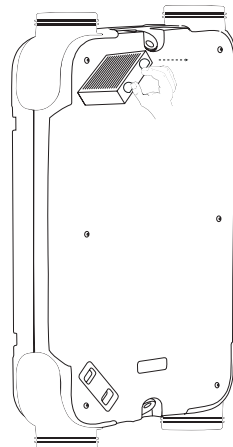
Attention!

The equipment must never be operated without filters

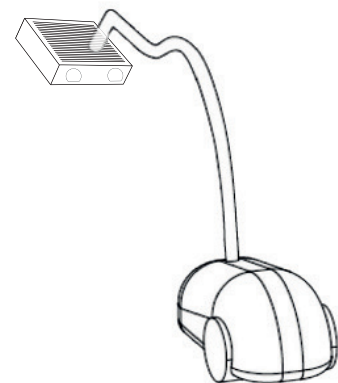
- 1 Remove the filter cover.



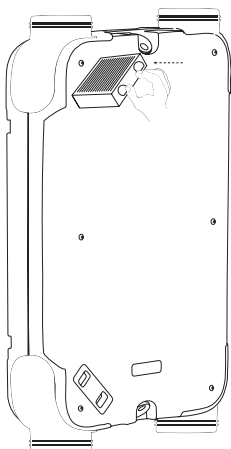
- 2 Pull the filter out.



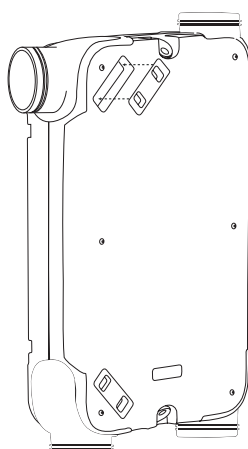
- 3 Vacuum the filter to remove dirt



- 4 Place the new filter in the slot and press it in.

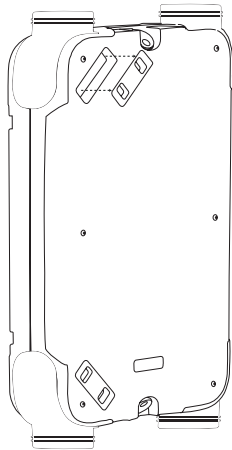


- 5 Replace the filter covers

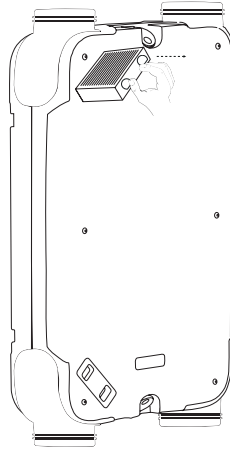


12.2 MAINTENANCE OF THE HEAT EXCHANGER (FOR THE INSTALLER)

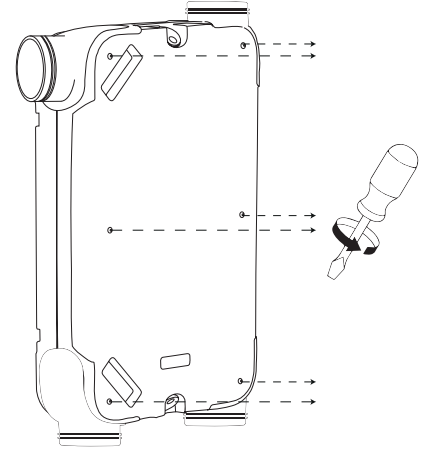
1 Remove the filter cover.



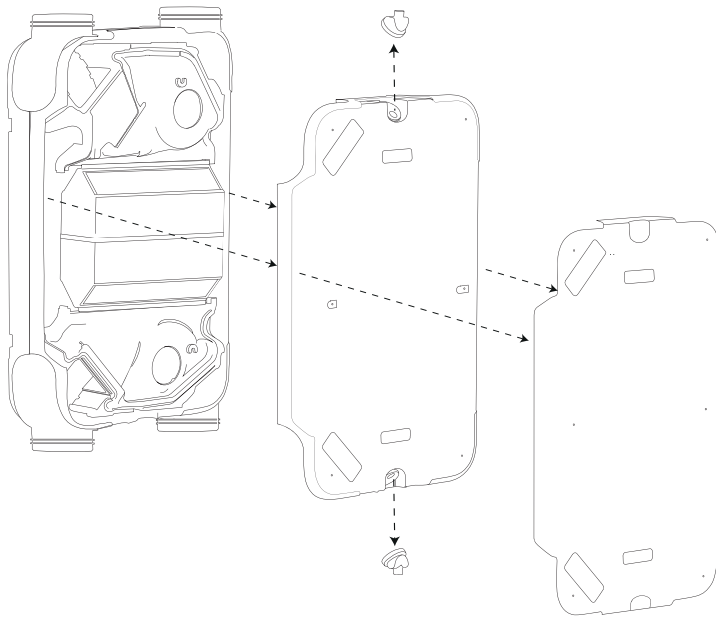
2 Pull the filter out.



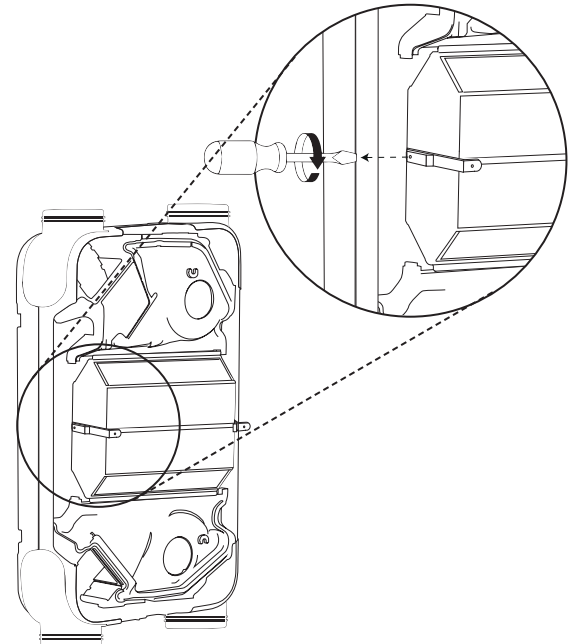
3 Unscrew the outer cover



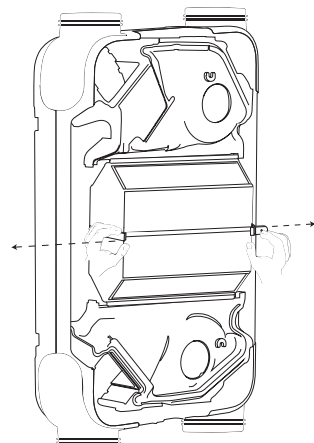
4 Remove the outer cover and the front polypropylene from the unit, leaving the interior exposed



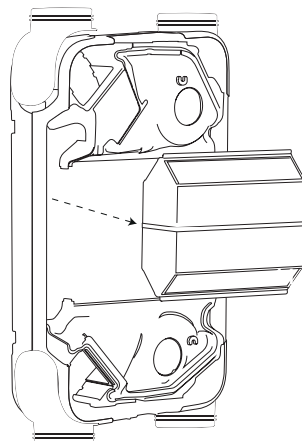
5 Unscrew and remove the left support bracket



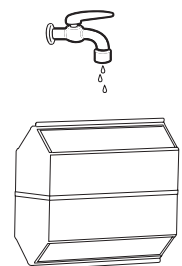
6 Separate the fastening tabs to remove the heat exchanger



7 Remove the heat exchanger



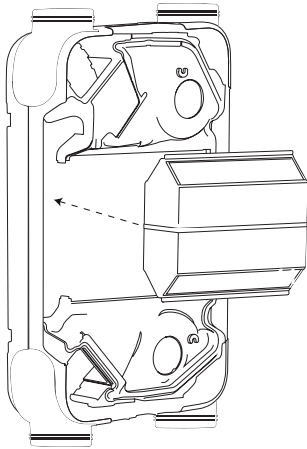
8 Clean the heat exchanger with water



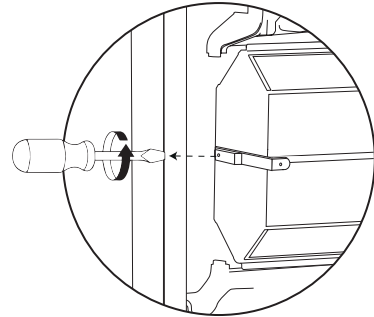
! Attention!

Remove the heat exchanger carefully. A small amount of condensation water may still remain in the heat exchanger.

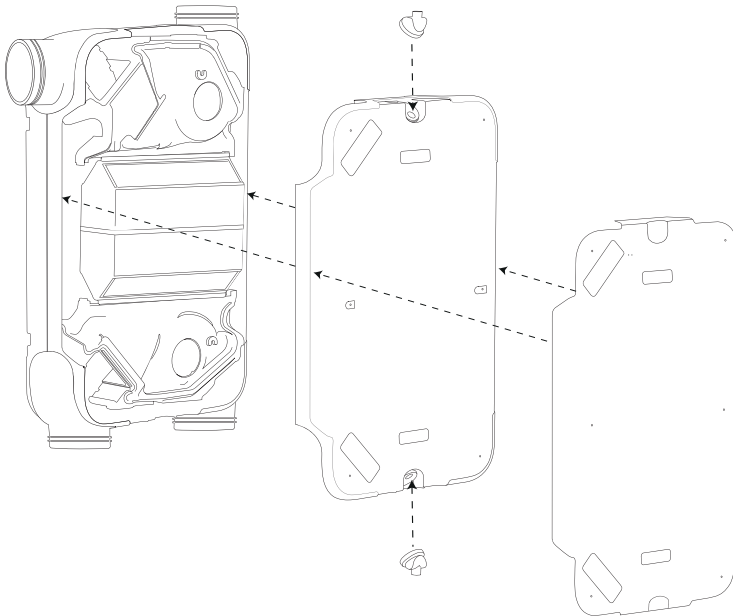
9 Put the heat exchanger back into position



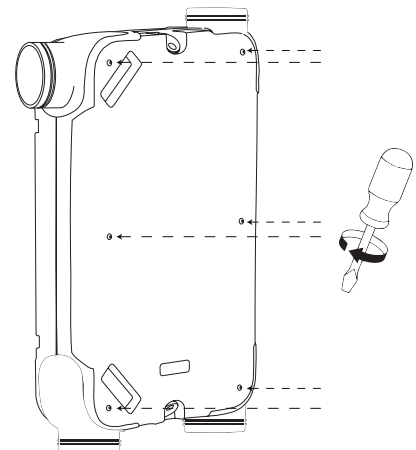
10 Insert the support bracket and screw it back on



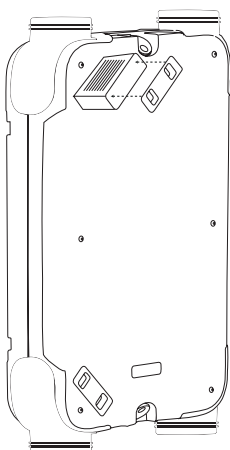
11 Fit the outer and inner covers of the unit.



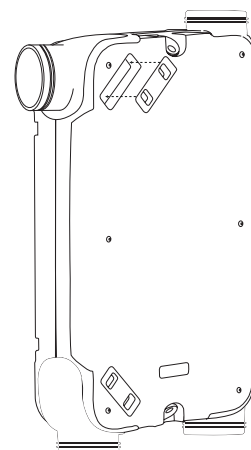
12 Screw the outer cover on



13 Replace the filters



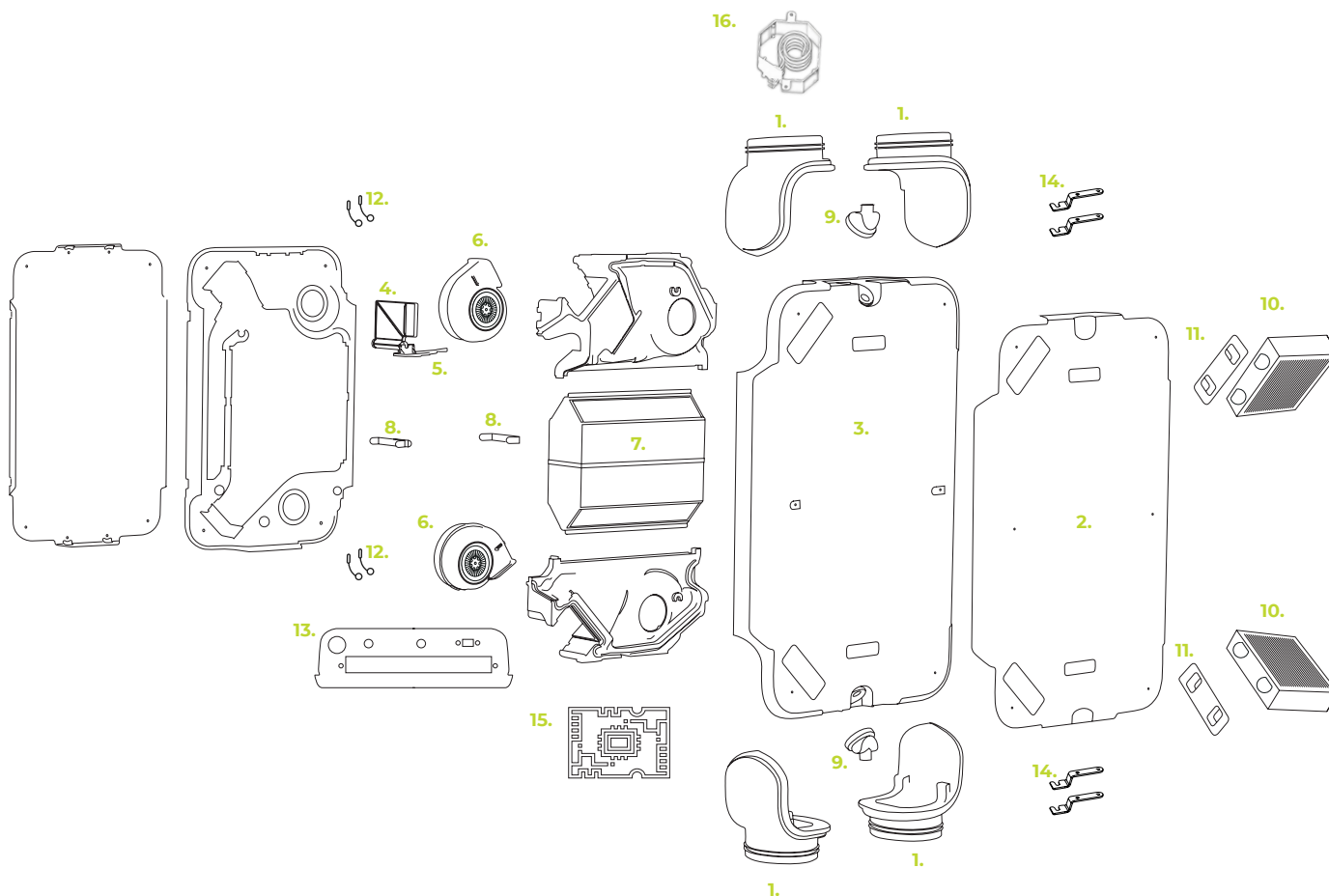
14 Replace the filter covers



12.3 EXPLODED VIEW AND DESCRIPTION

No.	Description of the SIBER EVO 3&4	
1	Orientable nozzles Ø 160	4 units
2	Front cover	1 unit
3	Front polypropylene	1 unit
4	Bypass valve	1 unit
5	Bypass valve motor	1 unit
6	Low-consumption fan	2 units
7	High-performance heat exchanger	1 unit
8	Fastening tabs	2 units
9	Orientable condensate drain	2 units
10	High-performance filter	2 units
11	Filter cover	2 units
12	Temperature sensor	4 units
13	Connection plate	1 unit
14	Silent block	4 units
15	Electronic connection board	1 unit
16	Preheater (*)	1 unit

(*) Only included as standard on the following models: HRV EVO 3&4 PR and ERV EVO 3&4 PR



WARRANTY CERTIFICATE



All Siber products are carefully tested and are covered by warranty for a period of 36 months from the date of purchase, in accordance with current legislation.

These rights, as provided for in the aforementioned legislation, may only be asserted with respect to the seller.

Within this period, Siberzone S.L.U. will be responsible for the repair and/or replacement, single-handedly and at its own expense, of components that, in its unquestionable judgement, are recognised to be malfunctioning.

The following cases are excluded from the warranty and void its validity:

- Installation of the appliance by non-professionally trained personnel (only valid for appliances that are not equipped with the manufacturer's plug).
- Failure to comply with the suggestions for use, installation and maintenance indicated in the corresponding instruction manual.
- Breakage due to misuse and negligence.
- Breakage caused by transport.
- Incorrect connection to the power supply.
- Power supply at a different voltage to that indicated on the appliance.
- Repairs or handling by unauthorised personnel.
- Interventions due to defects or falsified verifications.
- Warranty certificate missing and/or warranty certificate not completed.
- Removal or alteration of the label and seal proving the date of manufacture.

In any case, any products returned due to repair or replacement must be returned to the place of purchase, together with this certificate duly completed and the corresponding tax document proving the date of installation.

This warranty never extends to the obligation to repair damages of any kind or nature suffered by people and/or things.

Siber Zone, S.L.U. Apdo. de Correos nº9 - C/Can Macia nº2 08520 Las Franquesas del Vallés (Barcelona) Tel.: 902 02 72 14 Fax: 902 02 72 16 Email: siber@siberzone.es	Siber system warranty CERTIFICATE Address _____ _____ Apartment/house: _____ Municipality: _____ Province: _____
--	---

In accordance with the GDPR, "Organic law on the protection of personal data", we inform you that signing this contract will be considered acceptance of the processing of the company's data as dictated by the indicated law. We also inform you that this data is necessary to fulfil the obligations referred to in this warranty.

Distributor/manufacturer stamp:

SIBERZONE, SLU
C/ Can Macià, nº 2
Telf. 902 02 72 14 Int. +34 93 8616261
Fax: 902 02 72 16 Int. +34 93 7814108
08520 LAS FRANQUESAS DEL VALLES
Barcelona-España

[Stamp]: SIBERZONE, SLU
C/ Can Macià, nº 2
Tel. 902 02 72 14 Int. +34 93 8616261
Fax: 902 02 72 16 Int. +34 93 7814108
08520 LAS FRANQUESAS DEL VALLES
Barcelona, Spain
[Signature]

Installer stamp:

Delivery date: _____

Stamped in: _____

Commissioning date: _____

Date: _____

Sustainable ventilation and air treatment systems



Siber Zone, S.L.U.

HEADQUARTERS

Central Offices
Logistics Centre - Showroom
Factory - Training Centre

Apdo. de Correos n. 9
C/ Can Macia n. 2
08520 Les Franqueses del Vallès
Barcelona, Spain

LOGISTICS AND TRAINING CENTRE

Offices - Logistics Centre
Showroom - Training Centre

C/ Jacinto Benavente, n. 5 nave 3
28850 Torrejón de Ardoz
Madrid, Spain

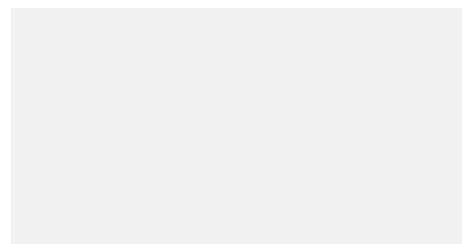
Tel. 902 02 72 14
Int. 00 34 938 616 261
Fax. 902 02 72 16
Int. 00 34 937 814 108

siber@siberzone.es
www.siberzone.es



INNOVATION CENTRE

Logistics Centre - Factory - R&D&i Centre
Academic/practical demolab
for professionals
C/ De Portugal, 18
08520 Les Franqueses del Vallès
Barcelona, Spain



No part of the contents of this publication may be reproduced
in any form without the express permission of the owner.
Siber Zone, S.L.U. reserves the right to make any technical
modification to the equipment and elements without prior notice.