

# Ross ventilation pole

Base floor ventilation and air inlets




## Material

The Ross ventilation pole, like all other VILPE products, is made of tinted, recyclable, corrosion-, weather- and impact-proof polypropylene (PP) plastic, complete with UV protection.

The material can be used in continuous temperatures of  $-30^{\circ}\text{C}$  –  $+80^{\circ}\text{C}$  and temporarily in temperatures of  $-40^{\circ}\text{C}$  –  $+120^{\circ}\text{C}$ .

## Basic colours

	Red	RAL 3009
	Off white	RAL 9016
	Beige	RAL 1001
	Light gray	RAL 7038
	Black	RAL 9017
	Gray	RAL 7015

Due to printing technical reasons, actual product colours may differ from those shown in this brochure.

## Ross ventilation poles



Ross 125



Ross 160



Ross 200

## Ross renovation sets



Ross 125



Ross 160

## Ross wall sleeve



Three models: 125, 160 and 200 that can be bought separately

## Package

The Ross ventilation pole set includes a cowl, a vertical pipe, wall fastenings with screws, an angle pipe and detailed installation instructions

Package dimensions:

- Ross 125: 180 x 485 x 595 mm
- Ross 160: 395 x 595 x 345 mm
- Ross 200: 260 x 500 x 1200 mm

# Elegant choice for base floor ventilation

The Ross ventilation pole is an elegant choice for the ventilation of the underfloor space and for the prevention of moisture damage and radon problems in the base floor. The Ross ventilation pole can also be used as an air inlet for a basement sauna, fireplace or forced ventilation system. It can also be used with a mechanical exhaust ventilation system or mechanical radon mitigation system for the underfloor space. The Ross ventilation pole can be used for the ventilation systems of all building types. Ross 200 is particularly suited for the ventilation of larger buildings such as apartment blocks as well as ventilation of lift shafts. The pole is designed to let air flow through without any obstruction, preventing the creation of an air lock. The product is designed to prevent snow, trash and small animals from entering the space in the base floor.

## Installation instructions

The ventilation pole is easy to install. The Ross ventilation pole set includes a cowl, a vertical pipe, wall fastenings with screws, an angle pipe and detailed installation instructions. In the Ross renovation set, the angle pipe is replaced by an adapter. The adapter is used to connect the Ross ventilation pole to the vertical part of the old underfloor ventilation pipe above or below the ground.

The pipe length can be easily adjusted. For a longer pipe, install several vertical pipes on top of each other. When a shorter pipe is needed, you can install the cowl directly onto the angle pipe or cut the vertical pipe to the desired length.

When installing to a cast base, a wall sleeve must be supported on both ends in way that it does not move during the casting process. In casts over 20 cm in height, the vibrator must not be brought near the sleeve, and the sleeve must be supported from the inside during casting.

1. Install the wall sleeve
  - a) to the wall panel or cast base already in the casting phase (can also be used with a block base)
  - b) by making a hole to the base as follows:
    - Wall sleeve 125: Ø 170 mm
    - Wall sleeve 160: Ø 208 mm
    - Wall sleeve 200: Ø 248 mm
2. Cut the pole to length when necessary.
3. Assemble the pole.
4. Install the fastenings included in the delivery to the wall.
  - Check vertical alignment using a level.
5. Tighten the centring rings around the part of the pole that goes through the wall.
6. Install the part of the pole that goes through the wall to the wall sleeve attached to the base of the building, and fix the pole to the wall fastenings.
7. Seal the gap between the pole and the wall sleeve with urethane and finalise the joint with filler putty.

## Ross wall sleeve for easier installation

The Ross wall sleeve can be purchased separately. The Ross wall sleeve is installed to the wall panel or cast base already in the casting phase, and can also be used with a block base. Its structure helps to create a firm bond with the concrete. The Ross wall sleeve is then to be used to lead the Ross pole or another pipe easily through the wall at a later stage of the building project.

## Selection criteria

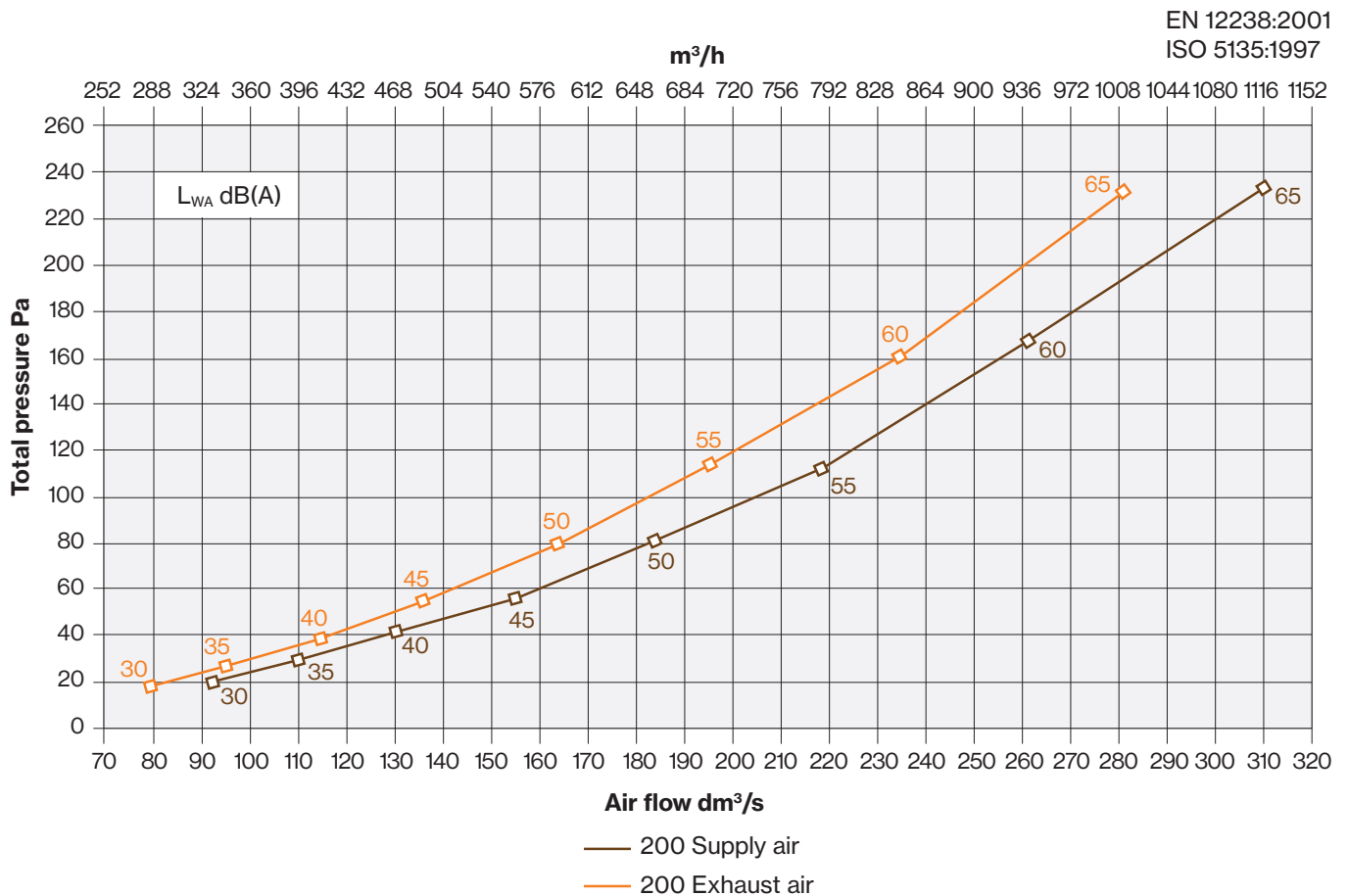
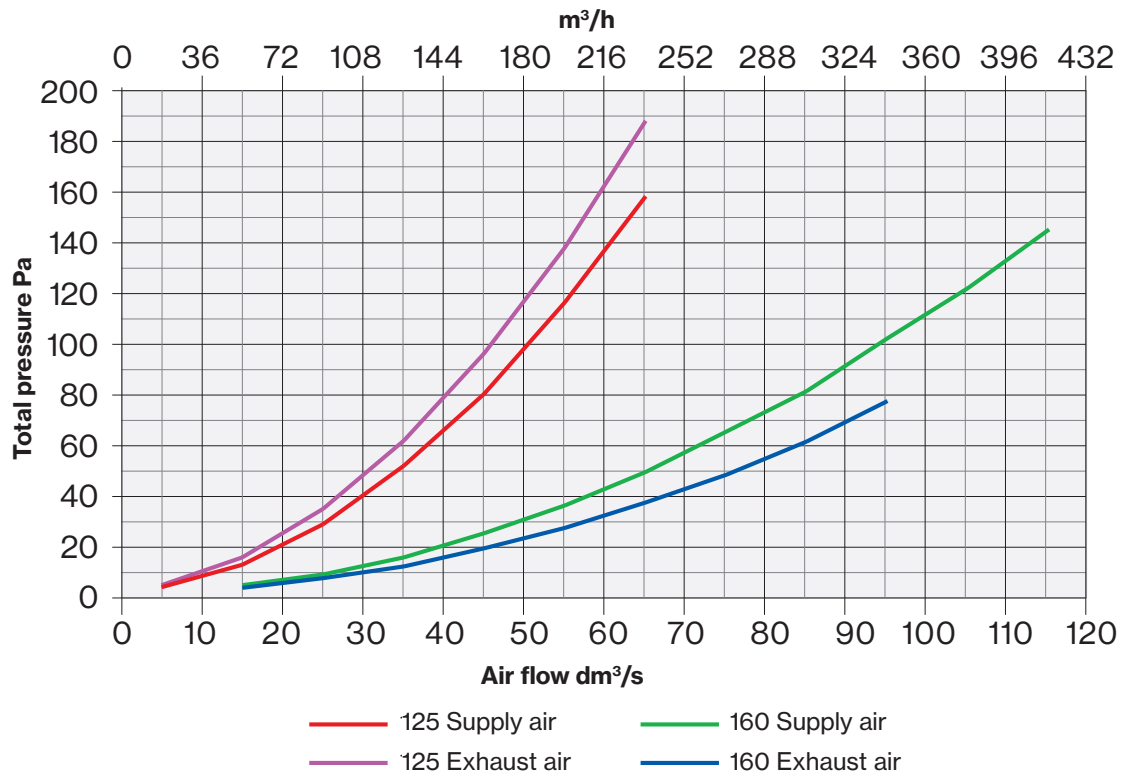
The Ross ventilation pole comes in three sizes: Ross 125, Ross 160 and Ross 200. Select the appropriate size according to the air flow through the duct. Ross 125 can be connected to a 125 mm ventilation duct, Ross 160 to a 160 mm ventilation duct and Ross 200 to a 200 mm sewage duct.

The Ross renovation set is a quick and easy way to create a new look and improved ventilation for an old vertical pipe of an underfloor ventilation system. The renovation set's Ross adapter 125/110 fits between a Ross 125 and a 110 mm pipe, and Ross adapter 160/160 fits between a Ross 160 and a 160 mm pipe.

You can also order vertical pipes, cowls, angle pipes, adapters and Ross wall sleeves separately. The product comes in six basic colours, allowing you to choose the ventilation pole that suits the building architecture.

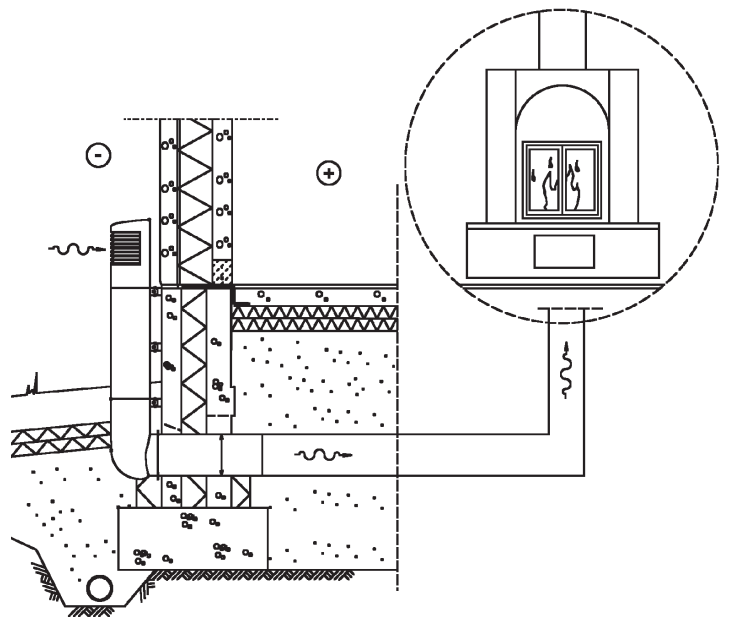
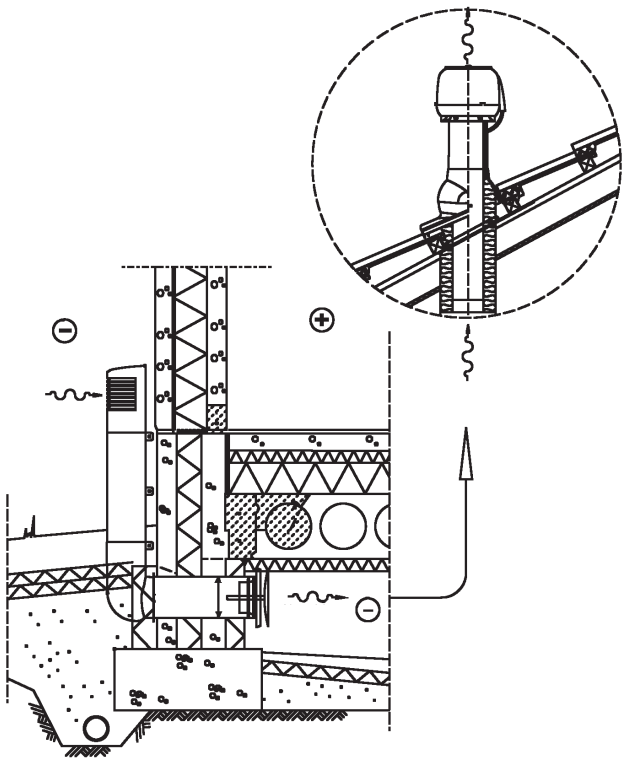
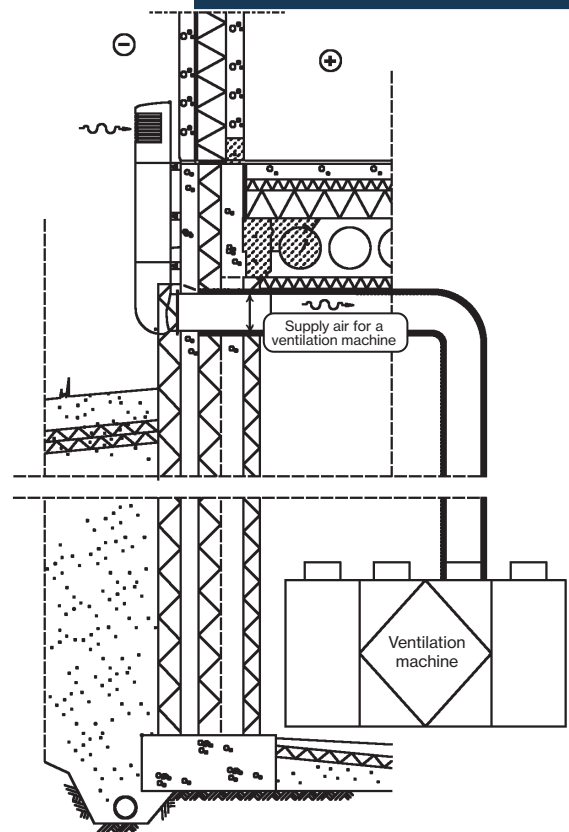
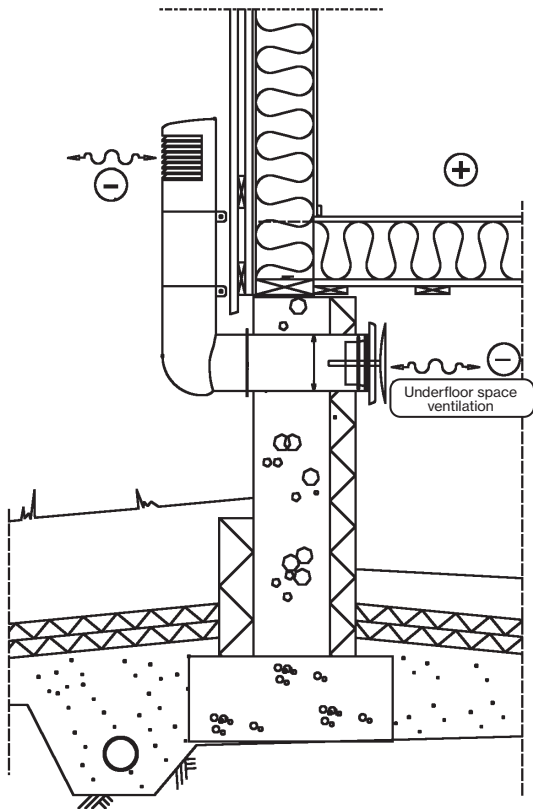
## Technical data

### Air flow reference tables



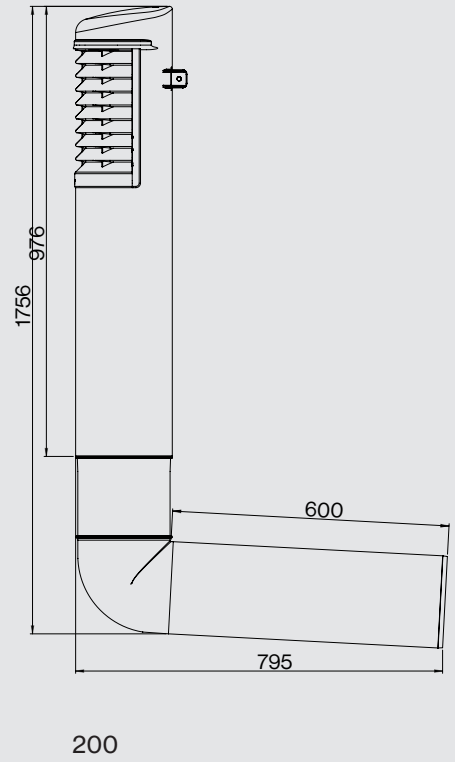
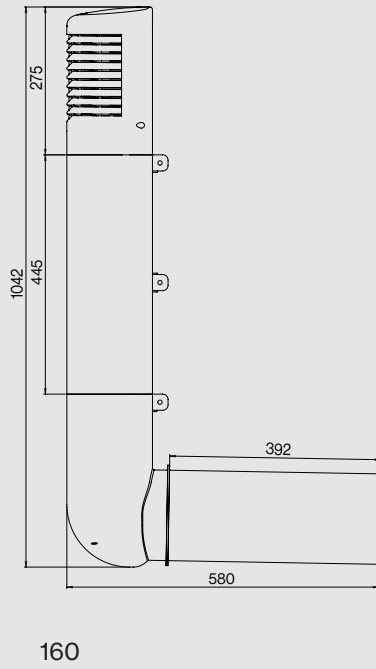
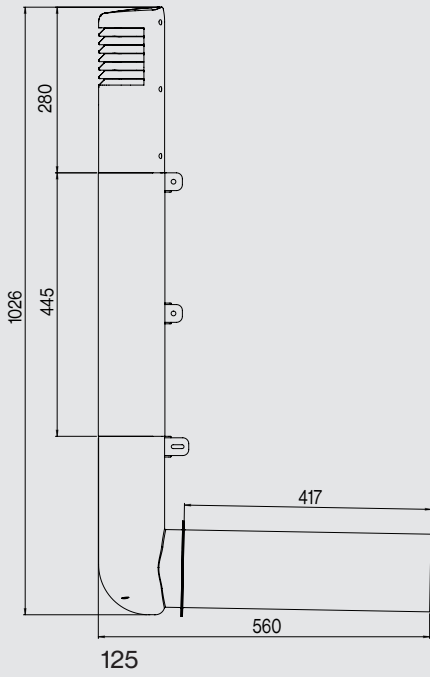


# Application

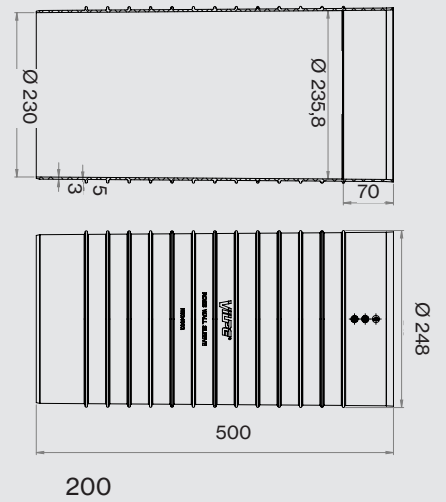
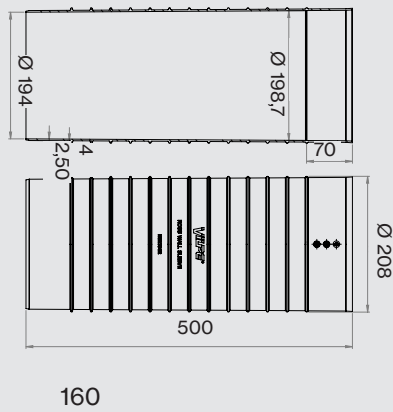
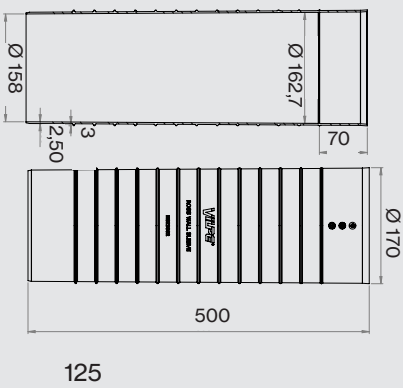


# Dimensions

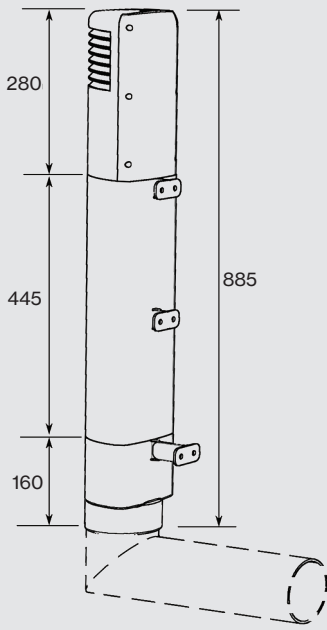
## Ross ventilation poles



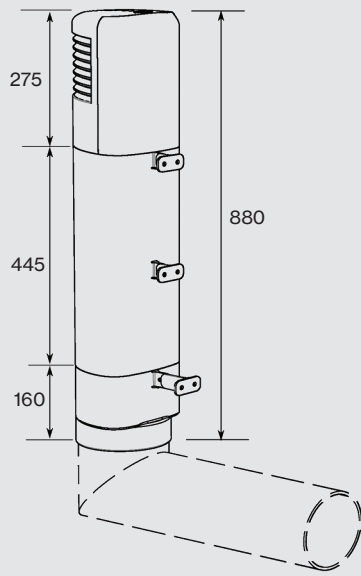
## Ross wall sleeves



## Ross renovation sets



125



160





Innovative and Easy



## VILPE Oy

Founded in 1975, VILPE Oy is the leading developer and manufacturer of ventilation equipment and speciality roof products in Finland, the Baltic countries, Russia and the Nordic countries. Our mission at VILPE Oy is to ensure fresh and clean indoor air. Optimal air quality helps to protect the structures of the house and provides a healthy living space for people and animals. VILPE Oy is committed to continuous product development, as well as customer-orientated innovation.

## Quality and environment

Product quality and environmental values are close to our hearts. Our product development work has resulted in products of excellent quality. Therefore, we can offer the most generous warranties on the market, i.e. a 20 year technical guarantee and a 10 year aesthetic guarantee.

We constantly look for new ways to be even more environmentally responsible and contribute to a greener world. Among our environmental goals is to constantly improve the energy-efficiency of our products, reduce the amount of waste and increase recycling of materials used in production.

The management system of VILPE Oy has been granted both the ISO 9001:2015 quality certificate and the ISO 14001:2015 environmental certificate. These certifications cover product development, manufacturing and sales of the VILPE products.

VILPE Oy  
Kauppatie 9,  
65610 Mustasaari  
FINLAND  
sales@vilpe.com

Sales and technical support  
Tel. +358 20 123 3222  
sales@vilpe.com

› [VILPE.COM](http://VILPE.COM)

