



 **NODOR**
always innovating

GENERAL CATALOGUE **2024**





GENERAL CATALOGUE 2024



CONTENTS

| | |
|-------------------------------------|-----------|
| Ovens and Microwaves | P.9-25 |
| Ovens | P.16-24 |
| Microwaves | P.23-25 |
| Plate Warmers | P.26-27 |
| Decorative Drawer | P.28 |
| Vacuum Sealer | P.29 |
| Extractor Hoods | P.30-55 |
| Ceiling Hoods | P.38-43 |
| Island Hoods | P.44 |
| Wall Hoods | P.45-51 |
| Integrated Hoods | P.52-55 |
| Hobs | P.56-81 |
| Induction with Integrated Extractor | P.62 |
| Induction | P.64-74 |
| Vitroc ceramic | P.74-75 |
| Gas | P.76-80 |
| Kitchenware | P.81 |
| White Goods | P.82-107 |
| Refrigerators and Freezers | P.90-102 |
| Dishwashers | P.103-105 |
| Washer-dryer | P.106 |
| Washing Machines | P.107 |
| Wine Coolers | P.108-117 |
| Taps and Sinks | P.118-136 |
| Technical Information | P.137-164 |



Where technology and ecology coexist

Nodor is exclusive

Our products exude elegance and trendiness. Celebrating our fiftieth anniversary, we continue to be a leading brand in the world of Mediterranean kitchens.

Founded in 1968 as the pioneer manufacturer of extractor hoods in Spain, **NODOR**, derived from the contraction of the Latin name Non-odor, successfully established itself in the extraction market, and has held a position of leadership for extended periods.

NODOR is a brand historically closely linked to Mediterranean cuisine and kitchen furniture. The brand aligns with the understated and minimalist profile of our products. Our extensive range of cooking appliances and white goods positions us as a clear benchmark in the industry.

NODOR's new products cater to today's individuals, with innovative models that combine ease of use, excellent performance and an elegant aesthetic to make the kitchen an ideal family gathering place.

At **NODOR**, we invest heavily in having the latest technology. Our product range harnesses all its benefits while remembering that the key is to make the complex easy in order to simplify our lives.

Our recent expansion into foreign markets is a crucial part of our business outlook. That's because at **NODOR** we work day after day to open new markets, expanding our horizons, so that – wherever you are – your kitchen is also **NODOR**.

EXCELLENCE AND INNOVATION

– Efficient innovation –

More than 50 years innovating to make for a better kitchen.

Our company continues to invest in R&D to create and develop technologically perfect products.

– The highest quality standards –

Our proven experience in creation, development and manufacturing is one of the pillars supporting our products' high efficiency, quality and reliability.

– Products designed and made in Spain –

We're proud to be the leading Spanish manufacturer of extractor hoods and all our products offer high levels of quality and guarantees.

We're one of the largest industrial groups in the industry with a global presence.

We're constantly expanding internationally via the creation of subsidiaries and branches. We currently operate in more than 100 countries.

– Five-year warranty –

Experience and the use of high-quality materials are evidence of our guarantee. We are so confident in Nodor's quality that we offer a five-year total warranty on the purchase of most Nodor products. Only valid for Spain and Portugal.

TECHNOLOGY AND DESIGN

Maximum functionality and ease of use are criteria for all our products.

Nodor's commitment is to offer the latest technology and design, combined with high performance, functionality and efficiency.



CARING FOR THE ENVIRONMENT

We develop products and manufacturing processes that optimise energy consumption and minimise our environmental impact, by using sustainable materials.

AS EASY AS PRESSING A BUTTON

The chance to harness scientific knowledge is at your fingertips every time you press a simple button on your microwave, oven or induction hob. You don't need to know the laws of physics or be an engineering expert. Cooking can be as simple as pressing the right device and waiting for the process to finish. That's NODOR technology. Because enjoying the pleasure of cooking is not incompatible with the advances that technology offers.





Designer settings are constantly being revamped. In order to respond to this on-going evolution, we've devised our exclusive ranges: Nodor Matte Black, Nodor Snow-White and Nodor Dark Black. Of course, you'll also have the range available in stainless steel if you want to give your kitchen a more classic touch.

Timeless designs. With our new matte black finishes, your kitchen will achieve a high level of elegance and restraint, creating a welcoming yet sophisticated space.

Black is back. Its minimalist, stylish design combines with every setting, granting each kitchen a sophisticated touch with its chrome details and pure black glass finishes.

Black or white. Nodor's new electrical appliances feature an enchanting aesthetic that never neglects our commitment to respecting the environment, which begins during the production process and translates to low-consumption energy ratings. It comes with the added advantage of a choice between pure white glass or pure black glass.



Nodor electrical appliances are different. We love the small details and we appreciate design and technology because it's in our DNA. The result is our Copper range with unique electrical appliances designed to satisfy even the most demanding chefs thanks to their technology and ease of use. Cooking has never been so easy with Nodor's new Copper range.

Beauty and resistance. If you're looking for a kitchen with a classic, stylish appearance and don't want to worry about combining colours and styles, the new stainless steel range will definitely be your best choice.





OVENS & MICROWAVES
PLATE WARMERS / VACUUM SEALER





OVENS AND MICROWAVES, PLATE WARMERS AND VACUUM SEALER

Nodor's new ovens and compact appliances are a clear example of balance between design and usability. Minimalism is never at odds with functionality thanks to completely smooth handle fronts with no decorative elements to facilitate cleaning, and a 3.9-inch graphic text display to aid their use via simple touch controls.

One particular component that gives Nodor's new ovens and compact appliances notable character is their handle, not just for its chrome or copper finish, but also for its ergonomic, robust nature that enhances each electrical appliance's design.

Since great performance can be yielded from a small space, Nodor is launching its compact range, which includes ovens with Nsoft technology, steam ovens and microwaves.

They feature various kinds of trays to be used for different cooking methods.

Is a microwave only for heating food?

With Nodor's new microwaves, you can do a range of things, from making quick sponges to cooking fish, pasta, vegetables and even roast potatoes.

To ensure your packed daily diary doesn't stop you from enjoying a healthy, balanced diet, **Nodor's new microwaves** (with capacities of up to 40 litres) will help you to cook 85% faster, leading to 70% energy savings compared with a conventional oven.

Nodor's new plate warmers are really versatile. They're the perfect complement to your kitchen, not only for their

ability to heat plates, trays and mugs, which will stop cold kitchenware from altering the qualities of the dishes you make, but also by helping to keep food warm without affecting its texture or flavour, gently defrosting food without cooking it, fermenting dough, cooking meat and fish at a low temperature, preparing yoghurt, and also acting as an extra space for storing kitchen items. Of course, they come with Nodor Ncomfort technology, which will facilitate easy access to your plate warmer.

You'll also find a practical storage drawer, which combines with your compact electrical appliance.

Vacuum sealers are a useful tool for keeping food fresh for longer, reducing the space food items occupy, preventing odours from mixing, and stopping frozen food from dehydrating.

OVENS



NPYROCLEAN

Pyrolytic cleaning is a system that enables an oven to be cleaned automatically with no need for chemical products. It involves raising the oven's temperature to around 500°C, which causes dirt to decompose and turns it to ash that can be easily removed using a damp cloth. This is an extremely convenient, effective and hygienic method, since it eliminates the bacteria and other microorganisms that can be found inside an oven. With a variable cleaning time programme that ranges from 1 hour to a maximum of 3 hours, no dirt will be able to resist this programme, which costs just €0.37.



NSABBATH

This function allows an oven to be programmed to remain switched on at a constant temperature without switching off when the door is opened or a button is pressed. It also emits sound signals or shows messages on-screen. The Sabbath function can only be used to bake or roast, not for self-cleaning or programmed start.



NCLEAN

With Nodor's new easy-clean Nclean enamel and thanks to its reduced porosity, cleaning both the oven and its trays is a simple task. This enamel, with Ndamantium technology, stands out thanks to its excellent durability and resistance to blows and scratches. Your oven will look as good as it did on day one. Cooking for all the family in its large cavity.



NSTEELCLEAN

Stainless steel cavities with a smooth finish and soft edges to facilitate cleaning.



MultifunctionNSOFT

Ovens and microwaves with Nsoft technology guarantee excellent results thanks to surround cooking of food during roasting.



NHOME-BAKED

With Nodor's new Nhome-baked function, the traditional flavour of food cooked in a wood oven will finally be achievable by less experienced cooks.



NSTEAM

Cook healthily with the new Nsteam function on Nodor's steam oven. The Nsteam function maintains all the nutrients, vitamins and minerals found in food, achieving wonderful flavours, intense aromas and preserving their texture and original colour. Not only is steaming a healthy cooking method, it also leads to savings because food requires less time to cook, using 23% less energy than traditional cooking.



NCOMFORT

Easy cooking access to prevent burns when handling food thanks to Nodor's new Ncomfort easy-extraction guides.



NCHILD

We care about safety in your home, which is why the Nchild function will prevent accidental activations of the controls on your electrical appliances.

MICROWAVES



NMENU

The eight automatic programmes help to quickly cook food without affecting flavour in the slightest.



NQUICK

The microwave starts quickly at maximum power to ensure you never waste a second when heating food. Not only does the new Nquick function help to heat food, but it can also prepare aromatic oils, help stop the tears caused when cutting onions, peel garlic, peel tomatoes, extract more juice from citrus fruits, dry out herbs...



NCRISP

To achieve more appealing, flavoursome finishes, Nodor microwaves include the Ncrisp function that you can use to caramelize the surface of foods or achieve a crispy finish, as desired.



NWCrisp

If you want your dishes to cook and brown at the same time, with Nodor's new NWcrisp combi function you can adjust the cooking power depending on whether you're cooking vegetables, meat or fish.



NFROST

With an option to defrost by weight or time, you'll maintain food's real flavour while preventing it from cooking during the defrosting process.

PLATE WARMERS



WARM PLATES



KEEP HOT



FERMENT DOUGH



PREPARE YOGHURT



DEFROST



COOK AT LOW TEMPERATURE



STORE

VACUUM SEALER



FOOD STORAGE



VACUUM BAG CYCLES



VACUUM CONTAINER CYCLES



HINGED GLASS TRAY



ENERGY SAVING FUNCTION

OVENS & MICROWAVES



NEW

PYROLYTIC OVEN

NorChef PO 6601 MB

COD 2137 EAN 8422248348348

P. 16



NEW

PYROLYTIC OVEN

NorChef PO 6601 SS

COD 2153 EAN 8422248348423

P. 16



NEW

PYROLYTIC OVEN

NorChef PO 6601 DB

COD 2190 EAN 8422248348164

P. 16



NEW

PYROLYTIC OVEN

NorChef PO 6601 SW

COD 2144 EAN 8422248348263

P. 16



MULTIFUNCTION OVEN

NorChef MO 6800 DB

COD 2114 EAN 8435025721142

P. 18



MULTIFUNCTION OVEN

NorChef MO 6800 SW

COD 2118 EAN 8435025721180

P. 18



MULTIFUNCTION OVEN

NorChef MO 6800 CU

COD 2124 EAN 8435025721241

P. 18



NEW

MULTIFUNCTION OVEN

NorChef MO 6600 MB

COD 2138 EAN 8422248348355

P. 19



NEW

MULTIFUNCTION OVEN

NorChef MO 6600 SS

COD 2154 EAN 8422248348430

P. 19



NEW

MULTIFUNCTION OVEN

NorChef MO 6600 DB

COD 2131 EAN 8422248348171

P. 19



NEW

MULTIFUNCTION OVEN

NorChef MO 6600 SW

COD 2145 EAN 8422248348270

P. 19



COMPACT OVEN

NorChef MO 4800 DB

COD 2115 EAN 8435025721159

P. 20



COMPACT OVEN

NorChef MO 4800 CU

COD 2127 EAN 8435025721272

P. 20



COMPACT OVEN

NorChef MO 4800 SW

COD 2119 EAN 8435025721197

P. 20



NEW

COMPACT STEAM OVEN

NorChef SO 4600 MB

COD 2140 EAN 8422248348362

P. 21



NEW

COMPACT STEAM OVEN

NorChef SO 4600 SS

COD 2155 EAN 8422248348447

P. 21

OVENS & MICROWAVES



NEW

COMPACT STEAM OVEN

NorChef SO 4600 DB

COD 2133 EAN 8422248348188

P. 21



NEW

COMPACT STEAM OVEN

NorChef SO 4600 SW

COD 2146 EAN 8422248348287

P. 21



COMPACT STEAM OVEN

NorChef SO 4800 DB

COD 2116 EAN 8435025721166

P. 22



COMPACT STEAM OVEN

NorChef SO 4800 SW

COD 2120 EAN 8435025721203

P. 22



COMPACT STEAM OVEN

NorChef SO 4800 CU

COD 2125 EAN 8435025721258

P. 22



NEW

OVEN-MICROWAVE

NorChef MW 4600 MB

COD 4152 EAN 8422248348379

P. 23



NEW

OVEN-MICROWAVE

NorChef MW 4600 SS

COD 4156 EAN 8422248348454

P. 23



NEW

OVEN-MICROWAVE

NorChef MW 4600 DB

COD 4150 EAN 8422248348218

P. 23



NEW

OVEN-MICROWAVE

NorChef MW 4600 SW

COD 4154 EAN 8422248348294

P. 23



OVEN-MICROWAVE

NorChef MW 4800 DB

COD 2117 EAN 8435025721173

P. 24



OVEN-MICROWAVE

NorChef MW 4800 SW

COD 2121 EAN 8435025721210

P. 24



OVEN-MICROWAVE

NorChef MW 4800 CU

COD 2126 EAN 8435025721265

P. 24



MICROWAVE

NorChef MW 25 DG DB

COD 4053 EAN 8435025740532

P. 25



NEW

MICROWAVE

NorChef MW 25 DG SS

COD 2130 EAN 8422248343169

P. 25



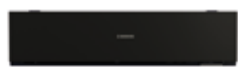
MICROWAVE

NorChef MW 25 DG CU

COD 4057 EAN 8435025740570

P. 25

PLATE WARMERS & VACUUM SEALERS



NEW

PLATE WARMER

NorChef WP 1501 MB

COD 2141 EAN 8422248348393

P. 26



NEW

PLATE WARMER

NorChef WP 1501 SS

COD 2150 EAN 8422248348478

P. 26



NEW

PLATE WARMER

NorChef WP 1501 DB

COD 2134 EAN 8422248351768

P. 26



NEW

PLATE WARMER

NorChef WP 1501 SW

COD 2147 EAN 8422248348317

P. 26

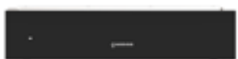


PLATE WARMER

NorChef WP 1500 DB

COD 2122 EAN 8435025721227

P. 27



PLATE WARMER

NorChef WP 1500 SW

COD 2123 EAN 8435025721234

P. 27



NEW

DECORATIVE DRAWER

NorChef DP 1501 MB

COD 2143 EAN 8422248348416

P. 28



NEW

DECORATIVE DRAWER

NorChef DP 1501 SW

COD 2152 EAN 8422248348492

P. 28



NEW

DECORATIVE DRAWER

NorChef DP 1501 DB

COD 2136 EAN 8422248348256

P. 28



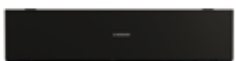
NEW

DECORATIVE DRAWER

NorChef DP 1501 SW

COD 2149 EAN 8422248348331

P. 28



NEW

VACUUM SEALER

NorChef VS 1501 MB

COD 2142 EAN 8422248348409

P. 29



NEW

VACUUM SEALER

NorChef VS 1501 SS

COD 2151 EAN 8422248348485

P. 29



NEW

VACUUM SEALER

NorChef VS 1501 DB

COD 2135 EAN 8422248348249

P. 29



NEW

VACUUM SEALER

NorChef VS 1501 SW

COD 2148 EAN 8422248348324

P. 29



PYROLYTIC OVEN

NorChef PO 6601

NEW

- Nsoft 65-litre multifunction pyrolytic oven
- White LCD display with digital start/stop programmer
- Nsoft multifunction with 10 functions
- Special Nhome-baked function
- Easy-clean PyroNclean enamel
- Ncomfort lateral telescopic guides
- Energy efficiency class A+**

Models

| | | |
|---------------------------|-------------------|---------------------------|
| NorChef PO 6601 MB | Code: 2137 | EAN: 8422248348348 |
| NorChef PO 6601 SS | Code: 2153 | EAN: 8422248348423 |
| NorChef PO 6601 DB | Code: 2190 | EAN: 8422248348164 |
| NorChef PO 6601 SW | Code: 2144 | EAN: 8422248348263 |



Cold door:
4 glass panels
in door



Soft-close door



Tangential
ventilation



Chrome supports
with 5 cooking
levels



Deep tray with
PyroNclean enamel



Chrome rack



Pyrolysis



2 side lights

Finishes



NorChef PO 6601 MB - matte black steel



NorChef PO 6601 SS - stainless steel

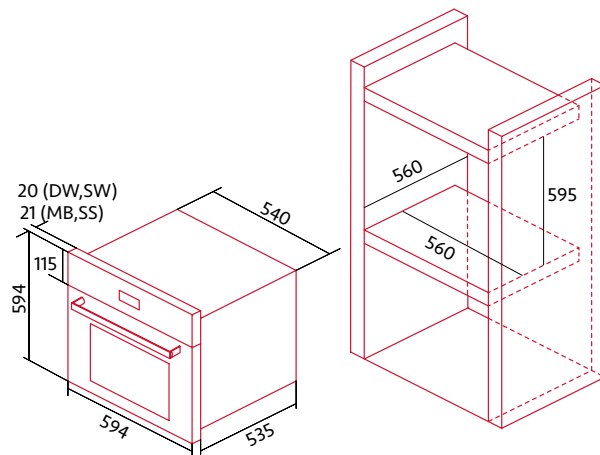


NorChef PO 6601 DB - black glass



NorChef PO 6601 SW - white glass

Dimensions Diagrams







MULTIFUNCTION OVEN

NorChef MO 6800

- Nsoft 67-litre multifunction oven
- White LCD display with digital start/stop programmer
- Nsoft multifunction with 10 functions
- Special Nhome-baked function
- Easy-clean Nclean enamel
- Fully extractable Ncomfort+ lateral telescopic guides
- Energy efficiency class A**



Fast preheat



Touch controls



Child safety lock



Soft-close door



Tangential ventilation



Chrome supports with 5 cooking levels



Deep tray with Nclean enamel



Chrome rack



Interior rack



Tray handle

Finishes



NorChef MO 6800 DB - Black glass, chrome handle



NorChef MO 6800 SW - White glass, chrome handle



NorChef MO 6800 CU - Black glass, copper handle

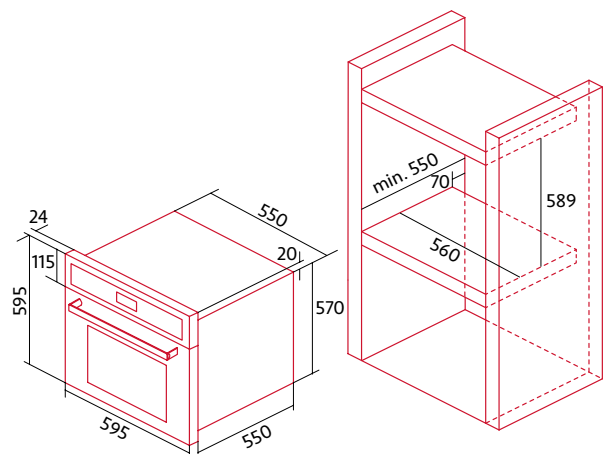
Models

NorChef MO 6800 DB Code: 2114 EAN: 8435025721142

NorChef MO 6800 SW Code: 2118 EAN: 8435025721180

NorChef MO 6800 CU Code: 2124 EAN: 8435025721241

Dimensions Diagrams





MULTIFUNCTION OVEN

NorChef MO 6600

NEW

- Nsoft 65-litre multifunction oven
- White LCD display with digital start/stop programmer
- Nsoft multifunction with 9 functions
- Special Nhome-baked function
- Easy-clean PyroNclean enamel
- Ncomfort lateral telescopic guides
- Energy efficiency class A**

Models

| | | |
|--------------------|------------|--------------------|
| NorChef MO 6600 MB | Code: 2138 | EAN: 8422248348355 |
| NorChef MO 6600 SS | Code: 2154 | EAN: 8422248348430 |
| NorChef MO 6600 DB | Code: 2131 | EAN: 8422248348171 |
| NorChef MO 6600 SW | Code: 2145 | EAN: 8422248348270 |



Cold door:
3 glass panels
in door



Soft-close door



Tangential
ventilation



Chrome supports
with 5 cooking
levels



Deep tray with
PyroNclean enamel



Chrome rack

Finishes



NorChef MO 6600 MB - matte black steel



NorChef MO 6600 SS - stainless steel

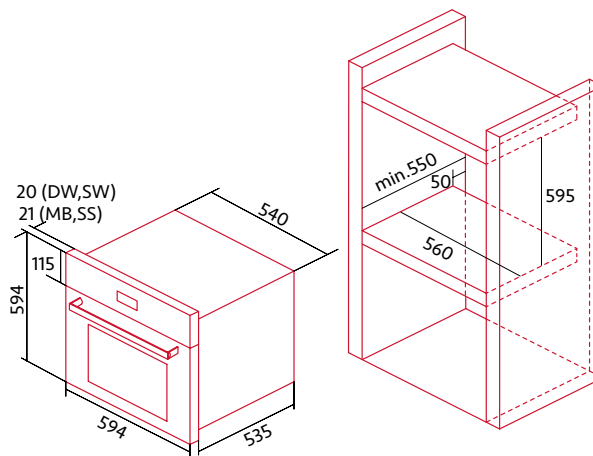


NorChef MO 6600 DB - black glass



NorChef MO 6600 SW - white glass

Dimensions Diagrams





COMPACT OVEN

NorChef MO 4800

- Nsoft 40-litre multifunction oven
- White LCD display with digital start/stop programmer
- Nsoft multifunction with 8 functions
- Special Nhome-baked function
- Easy-clean Nclean enamel
- Ncomfort lateral telescopic guides
- Energy efficiency class A**

Models

| | | |
|---------------------------|-------------------|---------------------------|
| NorChef MO 4800 DB | Code: 2115 | EAN: 8435025721159 |
| NorChef MO 4800 CU | Code: 2127 | EAN: 8435025721272 |
| NorChef MO 4800 SW | Code: 2119 | EAN: 8435025721197 |



Fast preheat



Touch controls



Cold door:
2 glass panels
in door



Tangential
ventilation



Chrome supports
with 4 cooking
levels



Deep tray with
Nclean enamel



Chrome rack



Interior rack



Tray handle

Finishes



NorChef MO 4800 DB - Black glass,
chrome handle

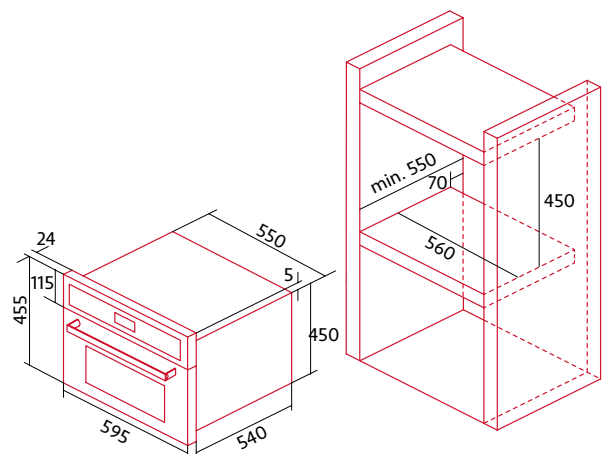


NorChef MO 4800 CU - Black glass,
copper handle



NorChef MO 4800 SW - White glass,
chrome handle

Dimensions Diagrams





COMPACT STEAM OVEN

NorChef SO 4600

NEW

- 34-litre steam oven
- White LCD display with digital start/stop programmer
- 5 cooking functions
- Nsteam function
- Descaling function
- Easy-clean Nsteelclean cavity
- 1-litre water tank

Models

| | | |
|---------------------------|-------------------|---------------------------|
| NorChef SO 4600 MB | Code: 2140 | EAN: 8422248348362 |
| NorChef SO 4600 SS | Code: 2155 | EAN: 8422248348447 |
| NorChef SO 4600 DB | Code: 2133 | EAN: 8422248348188 |
| NorChef SO 4600 SW | Code: 2146 | EAN: 8422248348287 |



Cold door:
3 glass panels
in door



Tangential
ventilation



Chrome supports
with 4 cooking
levels



Nsteelclean
tray



Nsteelclean
perforated tray



2 racks

Finishes



NorChef SO 4600 MB - matte black steel



NorChef SO 4600 SS - stainless steel

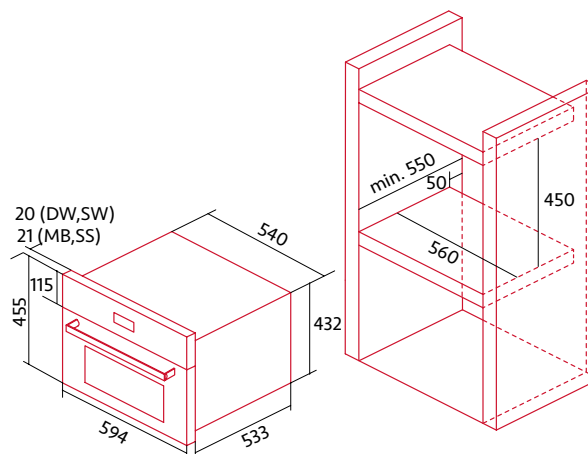


NorChef SO 4600 DB - black glass



NorChef SO 4600 SW - white glass

Dimensions Diagrams





COMPACT STEAM OVEN

NorChef SO 4800

- Nsoft 36-litre multifunction steam oven
- White LCD display with digital start/stop programmer
- Nsoft multifunction with 8 functions
- Nsteam function
- Descaling function
- Easy-clean Nsteelclean cavity
- 1.2-litre water tank
- Energy efficiency class A+**

Models

NorChef SO 4800 DB Code: 2116 EAN: 8435025721166

NorChef SO 4800 SW Code: 2120 EAN: 8435025721203

NorChef SO 4800 CU Code: 2125 EAN: 8435025721258



Fast preheat



Touch controls



Child safety lock



Cold door:
3 glass panels
in door



Tangential
ventilation



Chrome supports
with 4 cooking
levels



Deep tray with
Nclean enamel



Nsteelclean
perforated
tray



Interior rack

Finishes



NorChef SO 4800 DB - Black glass,
chrome handle

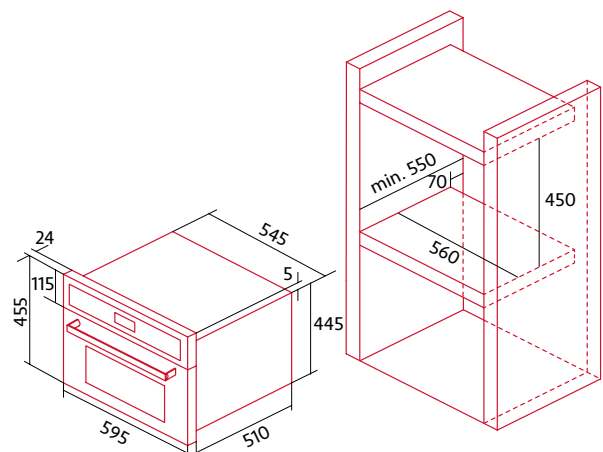


NorChef SO 4800 SW - White glass,
chrome handle



NorChef SO 4800 CU - Black glass,
copper handle

Dimensions Diagrams





OVEN-MICROWAVE

NorChef MW 4600

NEW

- 34-litre oven-microwave with grill
- White LCD display with digital start/stop programmer
- 6 cooking functions
- Easy-clean Nsteelclean cavity
- Grill, microwave and grill+microwave combi selector
- Microwave power 900 W and with grill 1500 W
- Turntable diameter 315 mm
- Maximum dish diameter 320 mm

Models

| | | |
|---------------------------|-------------------|---------------------------|
| NorChef MW 4600 MB | Code: 4152 | EAN: 8422248348379 |
| NorChef MW 4600 SS | Code: 4156 | EAN: 8422248348454 |
| NorChef MW 4600 DB | Code: 4150 | EAN: 8422248348218 |
| NorChef MW 4600 SW | Code: 4154 | EAN: 8422248348294 |



Cold door:
3 glass panels
in door



Tangential
ventilation



Chrome supports
with 4 cooking
levels



Grill rack



Chrome rack

Finishes



NorChef MW 4600 MB - matte black steel



NorChef MW 4600 SS - stainless steel

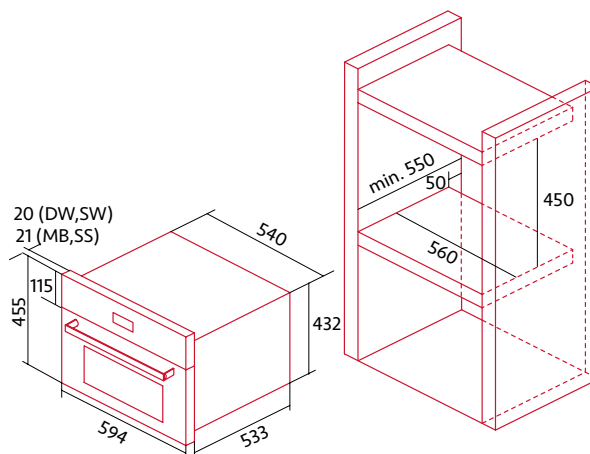


NorChef MW 4600 DB - black glass



NorChef MW 4600 SW - white glass

Dimensions Diagrams





OVEN-MICROWAVE

NorChef MW 4800

- Nsoft 40-litre multifunction oven-microwave
- Black glass front and door with chrome handle
- White LCD display with digital start/stop programmer
- Nsoft multifunction with 8 functions
- 8 cooking programmes
- Easy-clean Nsteelclean cavity
- Grill, microwave and grill+microwave combi selector
- Microwave power 1000 W and with grill 1400 W



Fast preheat



Touch controls



Child safety lock



Cold door:
2 glass panels
in door



Tangential
ventilation



3 cooking levels



Deep tray with
Nclean enamel



Chrome rack

Finishes



NorChef MW 4800 DB - Black glass,
chrome handle



NorChef MW 4800 SW - White glass,
chrome handle



NorChef MW 4800 CU - Black glass,
copper handle

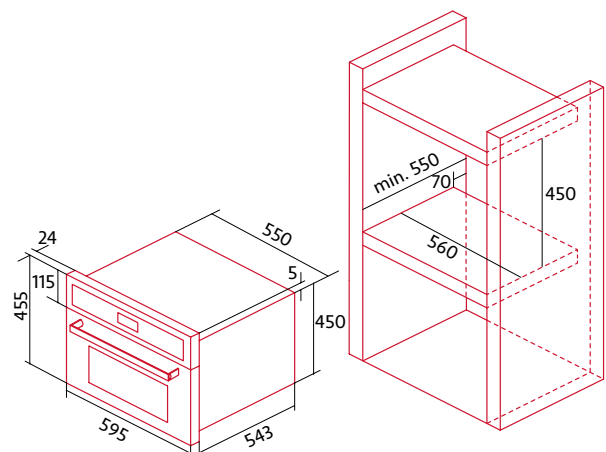
Models

NorChef MW 4800 DB Code: 2117 EAN: 8435025721173

NorChef MW 4800 SW Code: 2121 EAN: 8435025721210

NorChef MW 4800 CU Code: 2126 EAN: 8435025721265

Dimensions Diagrams





MICROWAVE

NorChef MW 25 DG

- 25-litre built-in microwave (900 W) with grill (1000 W)
- Stainless steel interior and touch door opening
- Defrost, heat and cook by time/food type
- Heating power selector with 5 levels
- Grill, microwave and grill+microwave combi selector
- 95-minute time selector with electronic display
- Turntable Ø 315 mm, maximum dish Ø 320 mm
- Built-in trim

Models

| | | |
|----------------------------|-------------------|--------------------------------------|
| NorChef MW 25 DG DB | Code: 4053 | EAN: 8435025740532 |
| NorChef MW 25 DG SS | Code: 2130 | EAN: 8422248343169 NEW |
| NorChef MW 25 DG CU | Code: 4057 | EAN: 8435025740570 |



White LED display



Microwave, grill, grill+micro functions



8 automatic programmes



Nquick



Touch buttons and illuminated rotary selector



Nchild: Child and elderly lock

Finishes



NorChef MW 25 DG DB - Black glass, chrome logo



NorChef MW 25 DG SS - Stainless steel



NorChef MW 25 DG CU - Black glass, copper logo

Dimensions Diagrams

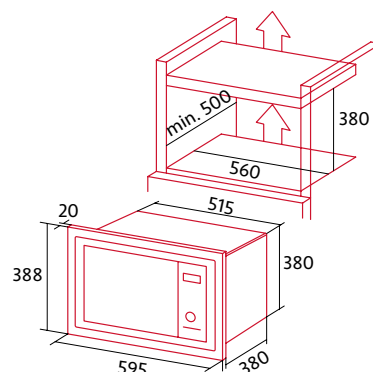




PLATE WARMER

NorChef WP 1501

NEW

- 20-litre plate warmer
- Door with Npush and telescopic opening
- Temperature selection: low-temperature cooking from 30°C to 70°C; yeast riser 30°C; plate warmer 70°C; keep hot from 40°C to 60°C
- Temperature selection to heat plates. 70°C
- Maximum temperature 70°C



WARM PLATES



KEEP HOT



FERMENT DOUGH



PREPARE YOGHURT



DEFROST



COOK AT LOW TEMPERATURE



STORE

Finishes



NorChef WP 1501 MB - matte black steel



NorChef WP 1501 SS - stainless steel



NorChef WP 1501 DB - black glass



NorChef WP 1501 SW - white glass

Models

| | | |
|---------------------------|-------------------|---------------------------|
| NorChef WP 1501 MB | Code: 2141 | EAN: 8422248348393 |
| NorChef WP 1501 SS | Code: 2150 | EAN: 8422248348478 |
| NorChef WP 1501 DB | Code: 2134 | EAN: 8422248351768 |
| NorChef WP 1501 SW | Code: 2147 | EAN: 8422248348317 |

Dimensions Diagrams

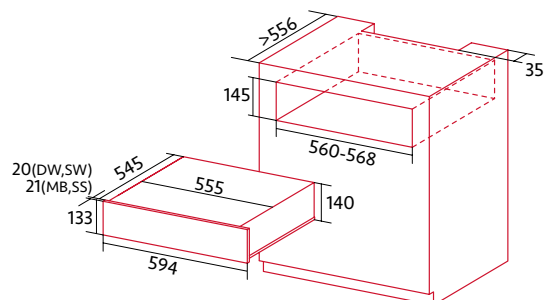




PLATE WARMER

NorChef WP 1500

- 20-litre plate warmer
- Door with Npush and telescopic opening
- Temperature selection: low-temperature cooking from 30°C to 75°C; yeast riser 30°C; plate warmer 75°C; keep hot from 40°C to 60°C
- Maximum temperature 75°C
- Capacity for 36 plates or 80 espresso cups



WARM PLATES



KEEP HOT



FERMENT DOUGH



PREPARE YOGHURT



DEFROST



COOK AT LOW TEMPERATURE



STORE

Finishes



NorChef WP 1500 DB - black glass



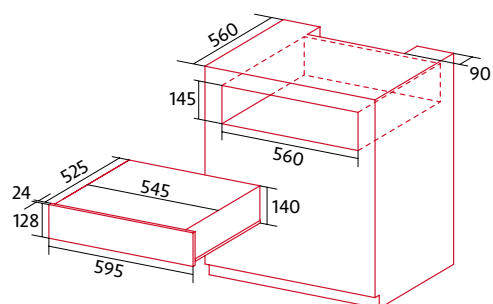
NorChef WP 1500 SW - white glass

Models

NorChef WP 1500 DB Code: 2122 EAN: 8435025721227

NorChef WP 1500 SW Code: 2123 EAN: 8435025721234

Dimensions Diagrams





DECORATIVE DRAWER

NorChef DP 1501

NEW

- Storage drawer
- Matte black glass door with Npush and telescopic opening
- Total telescopic opening

Models

| | | |
|---------------------------|-------------------|---------------------------|
| NorChef DP 1501 MB | Code: 2143 | EAN: 8422248348416 |
| NorChef DP 1501 SS | Code: 2152 | EAN: 8422248348492 |
| NorChef DP 1501 DB | Code: 2136 | EAN: 8422248348256 |
| NorChef DP 1501 SW | Code: 2149 | EAN: 8422248348331 |



STORE

Finishes



NorChef DP 1501 MB - matte black steel



NorChef DP 1501 SS - stainless steel

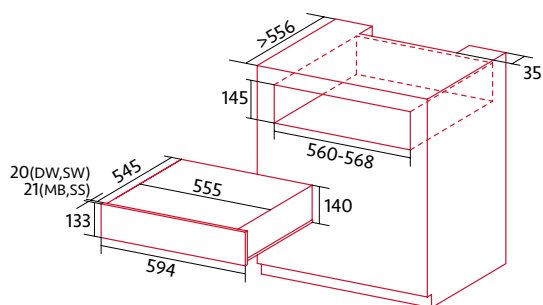


NorChef DP 1501 DB - black glass



NorChef DP 1501 SW - white glass

Dimensions Diagrams





VACUUM SEALER

NorChef VS 1501

NEW

- Vacuum sealer
- Door with Npush and telescopic opening
- Increased storage time for food
- 3 vacuum cycles for storage, cooking or containers
- Vacuum cycle for jars outside store
- Touch control panel

Models

| | | |
|--------------------|------------|--------------------|
| NorChef VS 1501 MB | Code: 2142 | EAN: 8422248348409 |
| NorChef VS 1501 SS | Code: 2151 | EAN: 8422248348485 |
| NorChef VS 1501 DB | Code: 2135 | EAN: 8422248348249 |
| NorChef VS 1501 SW | Code: 2148 | EAN: 8422248348324 |



FOOD STORAGE



VACUUM BAG CYCLES



VACUUM CONTAINER CYCLES

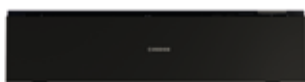


HINGED GLASS TRAY



ENERGY SAVING FUNCTION

Finishes



NorChef VS 1501 MB - matte black steel



NorChef VS 1501 SS - stainless steel

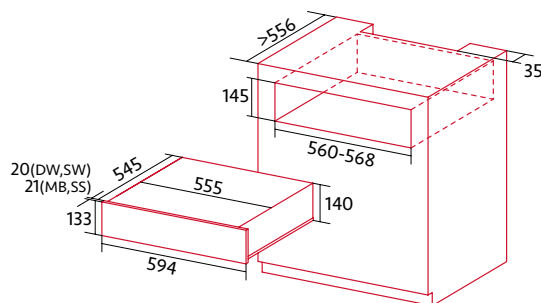


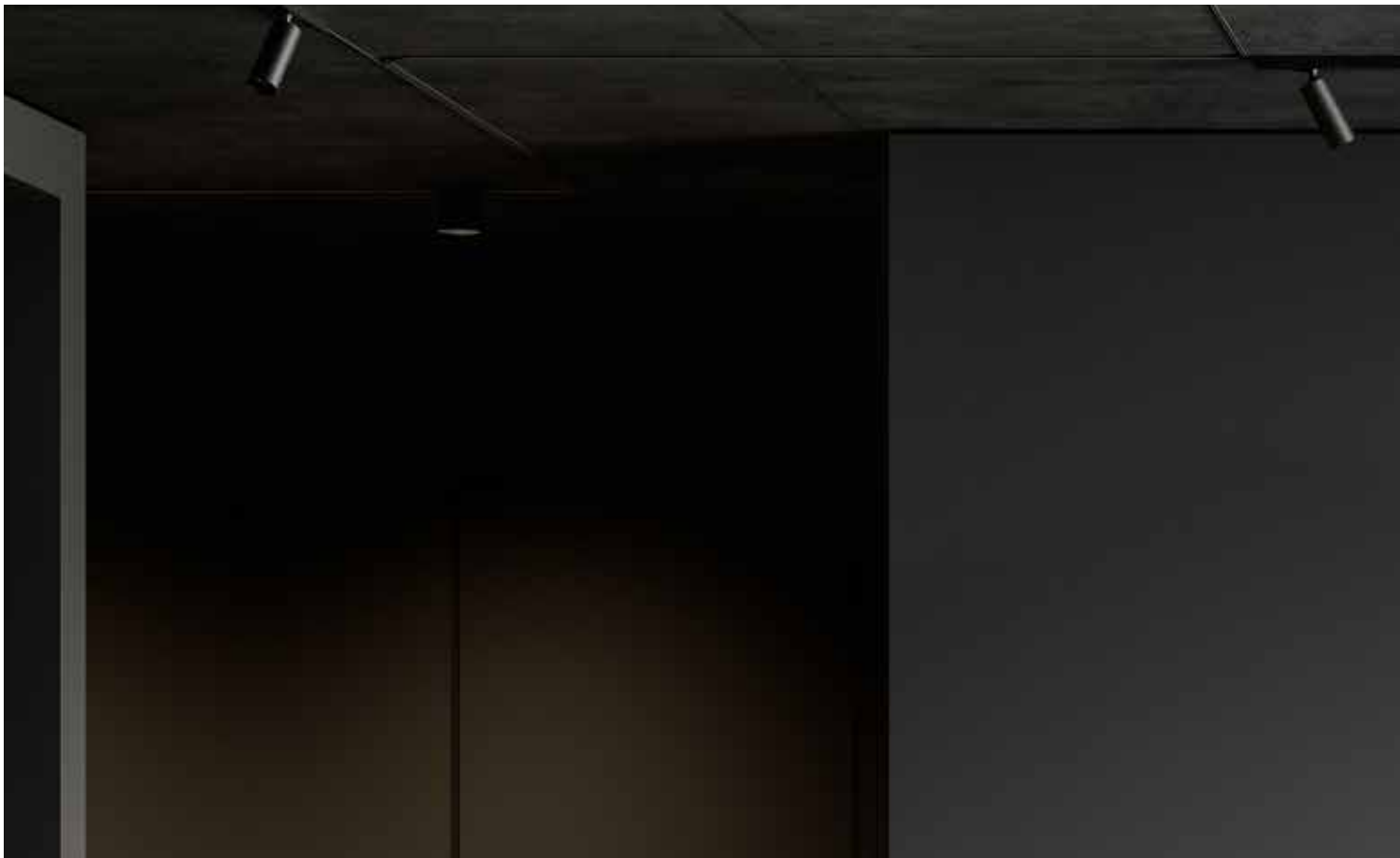
NorChef VS 1501 DB - black glass



NorChef VS 1501 SW - white glass

Dimensions Diagrams





EXTRACTOR HOODS







EXTRACTOR HOODS

Quiet! We're cooking. Silence and efficiency don't come into conflict. Their excellent extraction power together with a low noise level (barely a murmur at 42 dB) make Nodor extractor hoods the perfect complement for your home.

Nodor's new extractor hoods are easy to clean thanks to smooth surfaces and integrated touch controls, thereby preventing grease from building up.

Grease filters made entirely from steel give the product a typical industrial hood appearance. Thanks to the labyrinth of steel layers, this filter has an improved grease capture capacity.

Its first layer is made of steel while it has a microperforated rear layer, which is easily washed and is better at retaining the fat produced while cooking.

Another of their key aspects is lighting. All Nodor extractor hoods feature highly efficient lighting: LED strips that fully illuminate the work area or create the ambience required for a romantic dinner.

Nodor's new extractor hoods stand out due to their quick and simple installation, whatever the kind of hood selected.



EXTRACTOR HOODS



NBOOT

Nodor's extractor hoods offer unprecedented integration in your kitchen. Their filters are fully hidden when the hood is not in use. When switched on, the panels open automatically to aid smoke and steam extraction.



NCONNECT

With manual or automatic regulation of the extraction of fumes and steam depending on what is being cooked in the hob.



NCHILL

By adjusting the intensity of the LED lighting, you can create the perfect atmosphere in your kitchen for cooking, or perhaps to give your guests a surprise.



EXTRACTOR HOODS

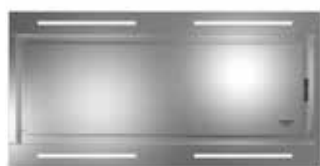


CEILING HOOD

NorBreeze ISLA DEIMOS 1400 TWIN RF

COD 8525 EAN 8435025785250

P. 36



CEILING HOOD

NorBreeze ISLA DEIMOS X 1200 RF

COD 8526 EAN 8435025785267

P. 37



CEILING HOOD

NorBreeze ISLA DEIMOS 1000 RF

COD 8527 EAN 8435025785274

P. 38



NEW

CEILING HOOD

NorBreeze ISLA SLIMOS 900

COD 8362 EAN 8435025783621

P. 39



NEW

CEILING HOOD

NorBreeze ISLA BESTLA X 960 RF

COD 8568 EAN 8422248343695

P. 40



NEW

CEILING HOOD

NorBreeze ISLA BESTLA WH 960 RF

COD 8569 EAN 8422248343688

P. 40



NEW

CEILING HOOD

NorBreeze ISLA JANO X 960 RF

COD 8350 EAN 8435025783508

P. 41



NEW

CEILING HOOD

NorBreeze ISLA JANO WH 960 RF

COD 8351 EAN 8435025783515

P. 41



NEW

DECORATIVE ISLAND

NorBreeze ISLA CUBE GLASS ECO 60 BK

COD 8564 EAN 8435025785649

P. 42



NEW

DECORATIVE ISLAND

NorBreeze ISLA CUBE GLASS ECO 60 WH

COD 8565 EAN 8435025785656

P. 42

EXTRACTOR HOODS



NEW

DECORATIVE WALL

NorBreeze ALIZE 80 DB

COD 8346 EAN 8435025783461

P. 43



NEW

DECORATIVE WALL

NorBreeze ALIZE 80 SW

COD 8347 EAN 8435025783478

P. 43



DECORATIVE WALL

NorBreeze CUBE GLASS ECO 90 BK

COD 8532 EAN 8435025785328

P. 44



DECORATIVE WALL

NorBreeze CUBE GLASS ECO 90 WH

COD 8533 EAN 8435025785335

P. 44



DECORATIVE WALL

NorBreeze CIRCUM 90 DB NDMOTION

COD 8513 EAN 8435025785137

P. 45



DECORATIVE WALL

NorBreeze MISTRAL 90 DB

COD 8516 EAN 8435025785168

P. 46



DECORATIVE WALL

NorBreeze MISTRAL 90 SW

COD 8519 EAN 8435025785199

P. 46



NEW

DECORATIVE WALL

NorBreeze MISTRAL 70 DB

COD 8604 EAN 8435025786042

P. 46



NEW

DECORATIVE WALL

NorBreeze MISTRAL 70 SW

COD 8594 EAN 8435025785946

P. 46



DECORATIVE WALL

NorBreeze SLIM 110 BK

COD 8549 EAN 8435025785496

P. 47



DECORATIVE WALL

NorBreeze SLIM 90 CU

COD 8518 EAN 8435025785182

P. 48



DECORATIVE WALL

NorBreeze SLIM 90 BK

COD 8536 EAN 8435025785366

P. 49



DECORATIVE WALL

NorBreeze SLIM 90 WH

COD 8537 EAN 8435025785373

P. 49



DECORATIVE WALL

NorBreeze SLIM 70 BK

COD 8520 EAN 8435025785205

P. 49



DECORATIVE WALL

NorBreeze SLIM 70 WH

COD 8563 EAN 8435025785632

P. 49

EXTRACTOR HOODS



INTEGRATED HOOD

**NorBreeze GREGAL 90 WH
NMOTION**

COD 8540 EAN 8435025785403

P. 50



INTEGRATED HOOD

**NorBreeze GREGAL 60 WH
NMOTION**

COD 8550 EAN 8435025785502

P. 50



NEW

INTEGRATED HOOD

NorBreeze BISE 900 SS

COD 8353 EAN 8435025783539

P. 51



NEW

INTEGRATED HOOD

NorBreeze BISE 600 SS

COD 8354 EAN 8435025783546

P. 51



NEW

INTEGRATED HOOD

NorBreeze CUDO 850 SS

COD 8355 EAN 8435025783553

P. 52



NEW

INTEGRATED HOOD

NorBreeze CUDO 520 SS

COD 8356 EAN 8435025783560

P. 52



INTEGRATED HOOD

NorBreeze ECLIPSE 90 BK

COD 8551 EAN 8435025785519

P. 53



INTEGRATED HOOD

NorBreeze ECLIPSE 60 BK

COD 8552 EAN 8435025785526

P. 53



CEILING HOOD

NorBreeze ISLA DEIMOS 1400 TWIN RF

- Perimeter extraction
- 5 extraction levels and Turbo function
- 2 Brushless motors 135 W, BT4DC
- Max./min. extraction power: 1600 / 400 m³/h
- LED lighting strips
- Dishwasher-safe metal filters
- Recirculation: Optional carbon filter



REMOTE CONTROL



MINIMUM SOUND LEVEL



NCHILL



NTIME



FILTER SATURATION INDICATOR



RECIRCULATION



ENERGY EFFICIENCY

Finishes



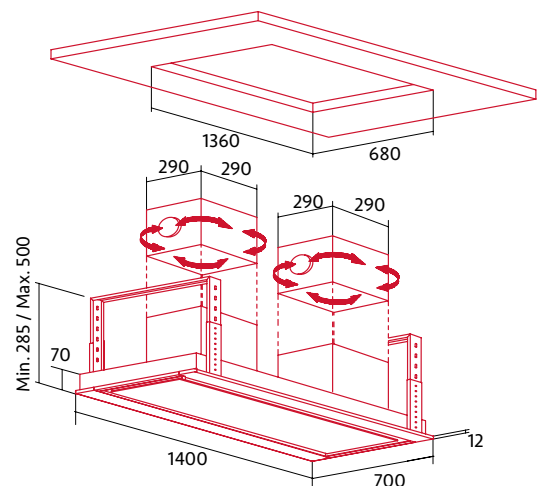
NorBreeze ISLA DEIMOS 1400 TWIN RF

Models

NorBreeze ISLA DEIMOS
1400 TWIN RF

Code: 8525 EAN: 8435025785250

Dimensions Diagrams





CEILING HOOD

NorBreeze ISLA DEIMOS X 1200 RF

- Perimeter extraction
- 5 extraction levels and Turbo function
- Brushless motor, 135 W, BT4DC
- Max./min. extraction power: 852 / 271 m³/h
- LED lighting strips
- Dishwasher-safe metal filters
- Recirculation: Optional carbon filter

Models

NorBreeze ISLA DEIMOS X 1200 RF Code: 8526 EAN: 8435025785267



REMOTE CONTROL



MINIMUM SOUND LEVEL



NCHILL



NTIME



FILTER SATURATION INDICATOR

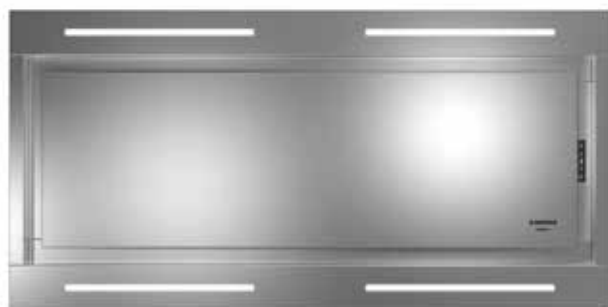


RECIRCULATION



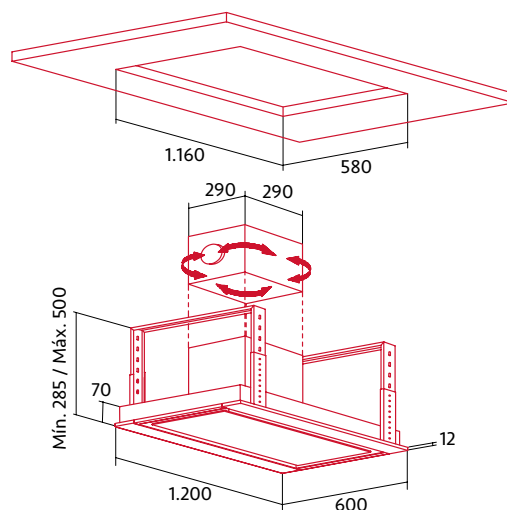
ENERGY EFFICIENCY

Finishes



NorBreeze ISLA DEIMOS X 1200 RF

Dimensions Diagrams





CEILING HOOD

NorBreeze ISLA DEIMOS 1000 RF

- Perimeter extraction
- 5 extraction levels and Turbo function
- Brushless motor, 135 W, BT4DC
- Max./min. extraction power: 852 / 271 m³/h
- LED lighting strips
- Dishwasher-safe metal filters
- Recirculation: Optional carbon filter



REMOTE CONTROL



MINIMUM SOUND LEVEL



NCHILL



NTIME



FILTER SATURATION INDICATOR



RECIRCULATION



ENERGY EFFICIENCY

Models

NorBreeze ISLA DEIMOS 1000 RF

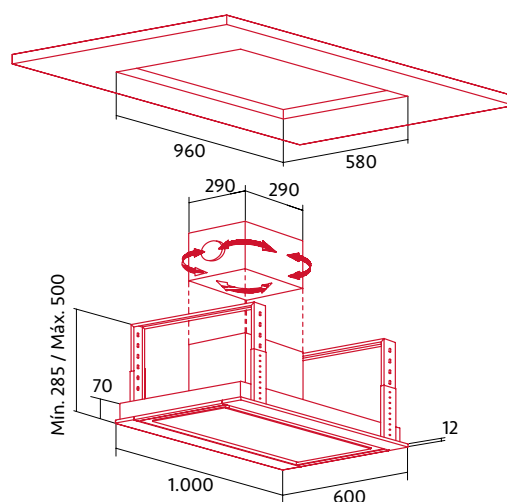
Code: 8527 **EAN:** 8435025785274

Finishes



NorBreeze ISLA DEIMOS 1000 RF

Dimensions Diagrams





CEILING HOOD

NorBreeze ISLA SLIMOS 900

NEW

Models

NorBreeze ISLA SLIMOS 900 Code: 8362 EAN: 8435025783621
Cable accessory + 10 m BT4DC (not included) Code: 02800999 EAN: 8422248350174

- Perimeter extraction
- 5 extraction levels and Turbo function
- Brushless motor, 135 W, BT4DC
- Max./min. extraction power: 662 / 221 m³/h
- LED lighting strips
- Dishwasher-safe metal filters
- Recirculation: Optional carbon filter



REMOTE CONTROL



MINIMUM SOUND LEVEL



NCHILL



NTIME



FILTER SATURATION INDICATOR



RECIRCULATION



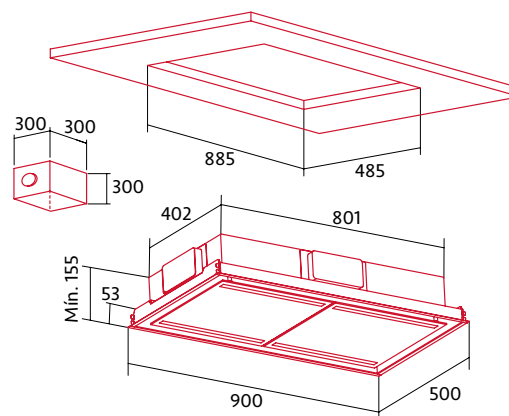
ENERGY EFFICIENCY

Finishes



NorBreeze ISLA SLIMOS 900

Dimensions Diagrams



Installation of motor independent to the hood at a distance of up to 5 m (with cable supplied) or 10 m (with accessory)



CEILING HOOD

NorBreeze ISLA BESTLA

NEW

Models

- Perimeter extraction
- 5 extraction levels and Turbo function
- Brushless motor, 170 W, EBM 225
- Max./min. extraction power: 800 / 300 m³/h
- LED lighting strips
- Dishwasher-safe metal filters
- Recirculation: Optional carbon filter

| | | |
|------------------------------|-------------------|---------------------------|
| ISLA BESTLA X 960 RF | Code: 8568 | EAN: 8422248343695 |
| ISLA BESTLA WH 960 RF | Code: 8569 | EAN: 8422248343688 |



NCONNECT



REMOTE CONTROL



MINIMUM SOUND LEVEL



NCHILL



NTIME



FILTER SATURATION INDICATOR



RECIRCULATION



ENERGY EFFICIENCY

Finishes

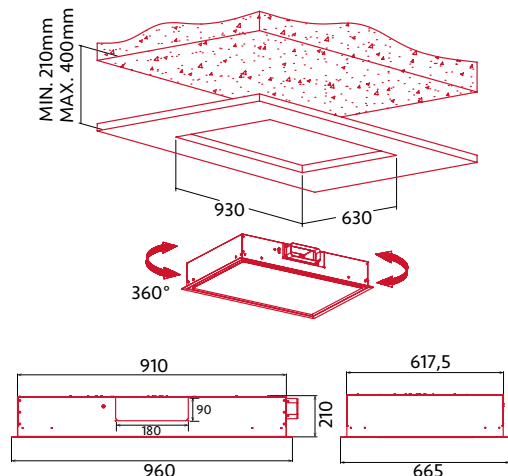


ISLA BESTLA X 960 RF



ISLA BESTLA WH 960 RF

Dimensions Diagrams





CEILING HOOD

NorBreeze ISLA JANO

NEW

Models

| | | |
|---------------------|------------|--------------------|
| ISLA JANO X 960 RF | Code: 8350 | EAN: 8435025783508 |
| ISLA JANO WH 960 RF | Code: 8351 | EAN: 8435025783515 |

- Perimeter extraction
- 5 extraction levels and Turbo function
- Brushless motor, 90 W, S6
- Max./min. extraction power: 570 / 266 m³/h
- LED lighting strips
- Dishwasher-safe metal filters
- Recirculation: Optional carbon filter



NCONNECT



REMOTE CONTROL



MINIMUM SOUND LEVEL



NCHILL



NTIME



FILTER SATURATION INDICATOR



RECIRCULATION

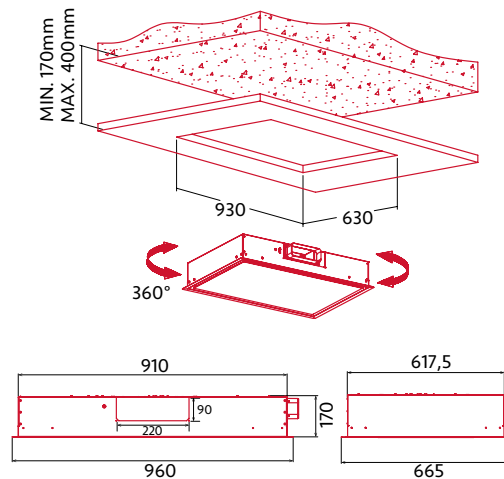


ENERGY EFFICIENCY

Finishes



Dimensions Diagrams





DECORATIVE ISLAND

NorBreeze ISLA CUBE GLASS ECO

NEW

Models

- 5 extraction levels and Turbo function
- Motor, 135 W, BTD4DC
- Max./min. extraction power: 760 / 278 m³/h
- LED lighting
- Dishwasher-safe premium stainless steel decorative filters
- Recirculation: Optional carbon filter

**NorBreeze ISLA CUBE
GLASS ECO 60 BK**

Code: 8564 **EAN:** 8435025785649

**NorBreeze ISLA CUBE
GLASS ECO 60 WH**

Code: 8565 **EAN:** 8435025785656



TOUCH
CONTROL



MINIMUM SOUND
LEVEL



NCHILL



NTIME



FILTER
SATURATION
INDICATOR



RECIRCULATION



ENERGY
EFFICIENCY

Finishes

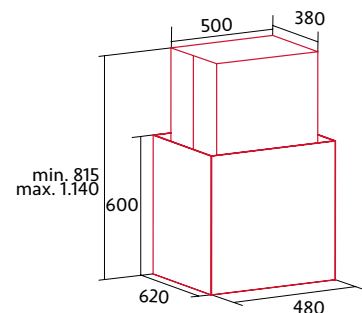


NorBreeze ISLA CUBE GLASS ECO 60 BK



NorBreeze ISLA CUBE GLASS ECO 60 WH

Dimensions Diagrams





DECORATIVE WALL

NorBreeze ALIZE

NEW

Models

| | | |
|------------------------------|-------------------|---------------------------|
| NorBreeze ALIZE 80 DB | Code: 8346 | EAN: 8435025783461 |
| NorBreeze ALIZE 80 SW | Code: 8347 | EAN: 8435025783478 |

- 3 extraction levels and Turbo function
- Motor, 240 W
- Max./min. extraction power: 610 / 215 m³/h
- LED lighting
- Dishwasher-safe metal filters
- Recirculation: Optional carbon filter



TOUCH CONTROL



MINIMUM SOUND LEVEL



NCHILL



NTIME



FILTER SATURATION INDICATOR



RECIRCULATION



ENERGY EFFICIENCY

Finishes

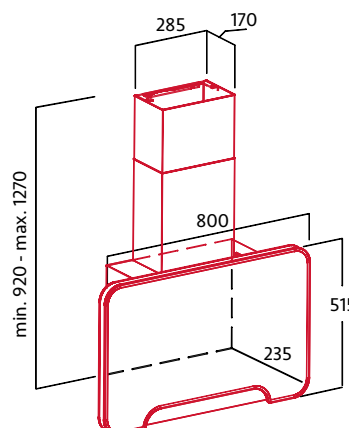


NorBreeze ALIZE 80 DB



NorBreeze ALIZE 80 SW

Dimensions Diagrams





DECORATIVE WALL

NorBreeze CUBE GLASS ECO

- 3 extraction levels and Turbo function
- Motor, 260 W, BT3
- Max./min. extraction power: 850 / 340 m³/h
- LED lighting strip
- Dishwasher-safe stainless steel decorative filters
- Recirculation: Optional carbon filter



TOUCH CONTROL



MINIMUM SOUND LEVEL



NCHILL



NTIME



FILTER SATURATION INDICATOR



RECIRCULATION



ENERGY EFFICIENCY

Finishes

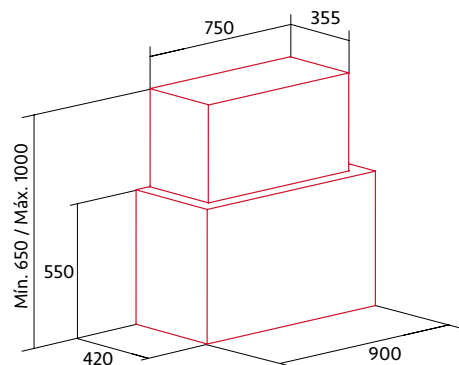


CUBE GLASS ECO 90 BK



CUBE GLASS ECO 90 WH

Dimensions Diagrams



Models

CUBE GLASS ECO 90 BK Code: 8532 EAN: 8435025785328

CUBE GLASS ECO 90 WH Code: 8533 EAN: 8435025785335



DECORATIVE WALL

NorBreeze CIRCUM 90 DB NMOTION

- Perimeter extraction and automatic opening
- 5 extraction levels and Turbo function
- Brushless motor, 135 W, BT4DC
- Max./min. extraction power: 852 / 271 m³/h
- LED lighting strip and ambient light
- Anti-condensation filter
- Dishwasher-safe metal filters
- Recirculation: Optional carbon filter

Models

CIRCUM 90 DB NMOTION Code: 8513 EAN: 8435025785137



NCONNECT



TOUCH CONTROL



MINIMUM SOUND LEVEL



NCHILL



NTIME



FILTER SATURATION INDICATOR



RECIRCULATION



NBOT



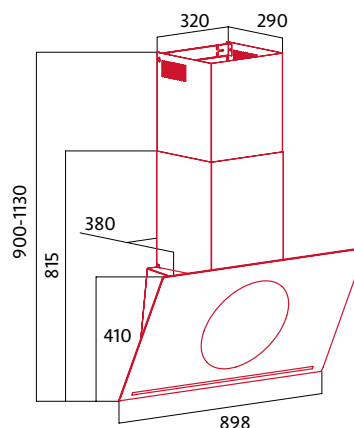
ENERGY EFFICIENCY

Finishes



NorBreeze CIRCUM 90 DB NMOTION

Dimensions Diagrams





DECORATIVE WALL

NorBreeze MISTRAL

- Perimeter extraction and automatic opening
- 5 extraction levels and Turbo function
- Brushless motor, 135 W, BT4DC
- Max./min. extraction power: 800 / 255 m³/h
- LED lighting strip
- Dishwasher-safe metal filters
- Recirculation: Optional carbon filter

Models

NorBreeze MISTRAL 90 DB Code: 8516 EAN: 8435025785168

NEW **NorBreeze MISTRAL 70 DB** Code: 8604 EAN: 8435025786042

NorBreeze MISTRAL 90 SW Code: 8519 EAN: 8435025785199

NEW **NorBreeze MISTRAL 70 SW** Code: 8594 EAN: 8435025785946



NCONNECT



TOUCH CONTROL



MINIMUM SOUND LEVEL



NCHILL



NTIME



FILTER SATURATION INDICATOR



RECIRCULATION



NBOT



ENERGY EFFICIENCY

Finishes



NorBreeze MISTRAL 90 DB



NorBreeze MISTRAL 70 DB

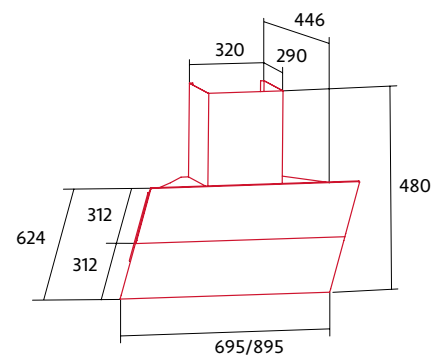


NorBreeze MISTRAL 90 SW



NorBreeze MISTRAL 70 SW

Dimensions Diagrams





DECORATIVE WALL

NorBreeze SLIM 110 BK

- Large filter surface
- 5 extraction levels and Turbo function
- Brushless motor, 135 W, BT4DC
- Max./min. extraction power: 852 / 271 m³/h
- LED lighting strip
- Dishwasher-safe premium stainless steel decorative filters
- Recirculation: Optional carbon filter



NCONNECT



TOUCH CONTROL



46 dB(A)
MINIMUM SOUND LEVEL



NCHILL



NTIME



FILTER SATURATION INDICATOR



RECIRCULATION



ENERGY EFFICIENCY

Finishes

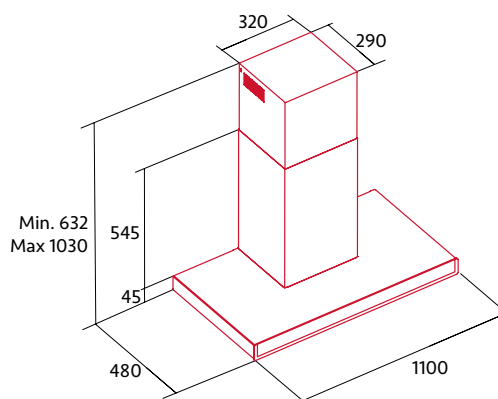


NorBreeze SLIM 110 BK

Models

NorBreeze SLIM 110 BK Code: 8549 EAN: 8435025785496

Dimensions Diagrams





DECORATIVE WALL

NorBreeze SLIM 90 CU

- Large filter surface
- 5 extraction levels and Turbo function
- Brushless motor, 135 W, BT4DC
- Max./min. extraction power: 852 / 271 m³/h
- LED lighting strip
- Dishwasher-safe premium stainless steel decorative filters
- Recirculation: Optional carbon filter



NCONNECT



TOUCH CONTROL



MINIMUM SOUND LEVEL



NCHILL



NTIME



FILTER SATURATION INDICATOR



RECIRCULATION



ENERGY EFFICIENCY

Finishes



NorBreeze SLIM 90 CU

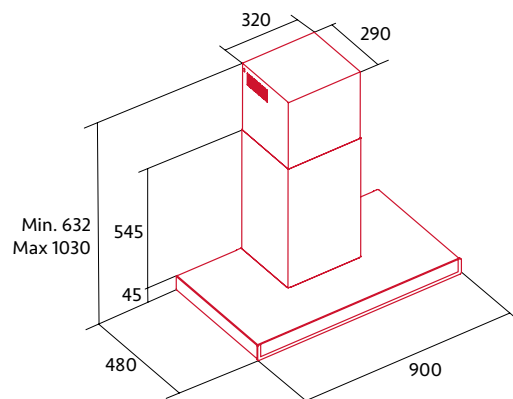
Models

NorBreeze SLIM 90 CU

Code: 8518

EAN: 8435025785182

Dimensions Diagrams





DECORATIVE WALL

NorBreeze SLIM

- Large filter surface
- 5 extraction levels and Turbo function
- Brushless motor, 135 W, BT4DC
- Max./min. extraction power: 852 / 271 m³/h
- LED lighting strip
- Dishwasher-safe premium stainless steel decorative filters
- Recirculation: Optional carbon filter



NCONNECT



TOUCH CONTROL



46 dB(A)
MINIMUM SOUND LEVEL



NCHILL



NTIME



FILTER SATURATION INDICATOR



RECIRCULATION



ENERGY EFFICIENCY

Finishes



NorBreeze SLIM 90 BK



NorBreeze SLIM 90 WH



NorBreeze SLIM 70 BK



NorBreeze SLIM 70 WH

Models

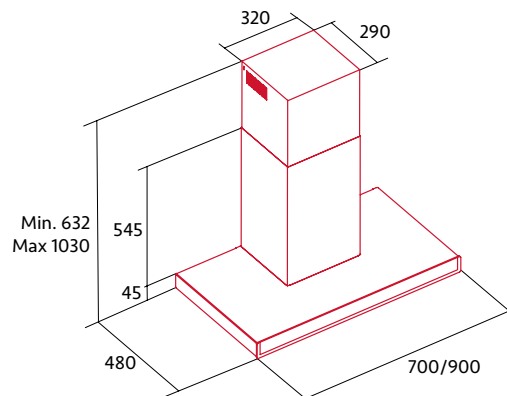
NorBreeze SLIM 90 BK Code: 8536 EAN: 8435025785366

NorBreeze SLIM 90 WH Code: 8537 EAN: 8435025785373

NorBreeze SLIM 70 BK Code: 8520 EAN: 8435025785205

NorBreeze SLIM 70 WH Code: 8563 EAN: 8435025785632

Dimensions Diagrams





INTEGRATED HOOD

NorBreeze GREGAL NMOTION

- Perimeter extraction and automatic opening
- 5 extraction levels and Turbo function
- Brushless motor, 135 W, BT4DC
- Max./min. extraction power: 765 / 245 m³/h
- LED lighting strip
- Dishwasher-safe metal filters
- Recirculation: Optional carbon filter



NCONNECT



TOUCH CONTROL



MINIMUM SOUND LEVEL



NCHILL



NTIME



FILTER SATURATION INDICATOR



RECIRCULATION



NBOT



ENERGY EFFICIENCY (8540)



ENERGY EFFICIENCY (8550)

Finishes



NorBreeze GREGAL 90 WH NMOTION



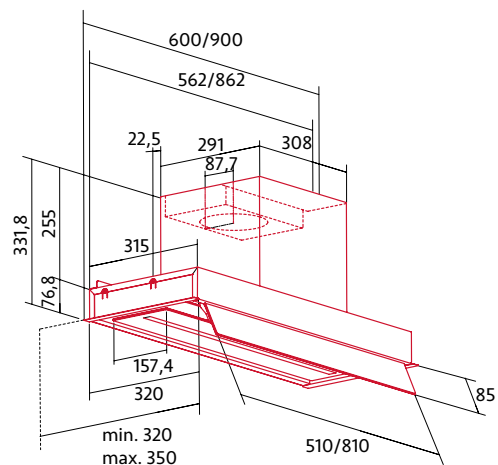
NorBreeze GREGAL 60 WH NMOTION

Models

GREGAL 90 WH NMOTION Code: 8540 EAN: 8435025785403

GREGAL 60 WH NMOTION Code: 8550 EAN: 8435025785502

Dimensions Diagrams





INTEGRATED HOOD

NorBreeze BISE SS

NEW

Models

- 3 extraction levels and Turbo function
- Max./min. extraction power: 735 / 265 m³/h, 44 dB (BISE 900)
- Max./min. extraction power: 690 / 240 m³/h, 45 dB (BISE 600)
- LED lighting strip
- Dishwasher-safe professional filters
- Recirculation: Optional carbon filter

| | | |
|------------------------------|-------------------|---------------------------|
| NorBreeze BISE 900 SS | Code: 8353 | EAN: 8435025783539 |
| NorBreeze BISE 600 SS | Code: 8354 | EAN: 8435025783546 |



TOUCH CONTROL



MINIMUM SOUND LEVEL



NCHILL



NTIME



FILTER SATURATION INDICATOR



RECIRCULATION



ENERGY EFFICIENCY

Finishes

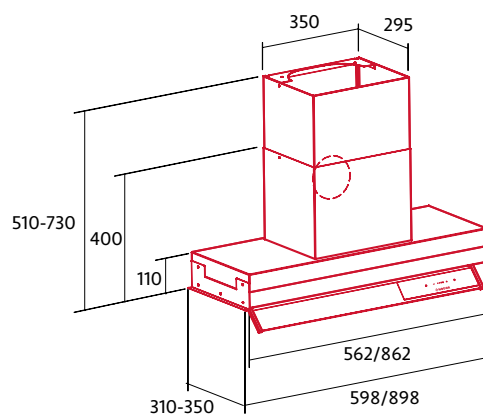


NorBreeze BISE 900 SS



NorBreeze BISE 600 SS

Dimensions Diagrams





FILTER GROUP

NorBreeze CUDO SS

NEW

Models

- 3 extraction levels and Turbo function
- Max./min. extraction power: 725 / 240 m³/h (8355)
- 655 / 235 m³/h (8356)
- LED lighting strip
- Fat collection tray
- Dishwasher-safe professional filters
- Recirculation: Optional carbon filter
- Motor with upper or rear outlet

| | | |
|------------------------------|-------------------|---------------------------|
| NorBreeze CUDO 850 SS | Code: 8355 | EAN: 8435025783553 |
| NorBreeze CUDO 520 SS | Code: 8356 | EAN: 8435025783560 |



CHROME CONTROLS



MINIMUM SOUND LEVEL



NCHILL



NTIME



FILTER SATURATION INDICATOR



RECIRCULATION



ENERGY EFFICIENCY (CUDO 850)



ENERGY EFFICIENCY (CUDO 520)

Finishes

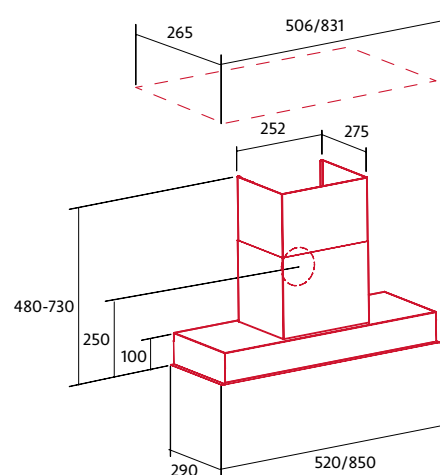


NorBreeze CUDO 850 SS



NorBreeze CUDO 520 SS

Dimensions Diagrams





FILTER GROUP

NorBreeze ECLIPSE BK

- Perimeter extraction
- 3 extraction levels and Turbo function
- Motor, 260 W, BT3
- Max./min. extraction power: 750 / 260 m³/h
- LED lighting strip
- Dishwasher-safe metal filters
- Recirculation: Optional carbon filter
- Easy-install system



REMOTE CONTROL



MINIMUM SOUND LEVEL



NCHILL



NTIME



FILTER SATURATION INDICATOR



RECIRCULATION



ENERGY EFFICIENCY

Finishes



NorBreeze ECLIPSE 90 BK



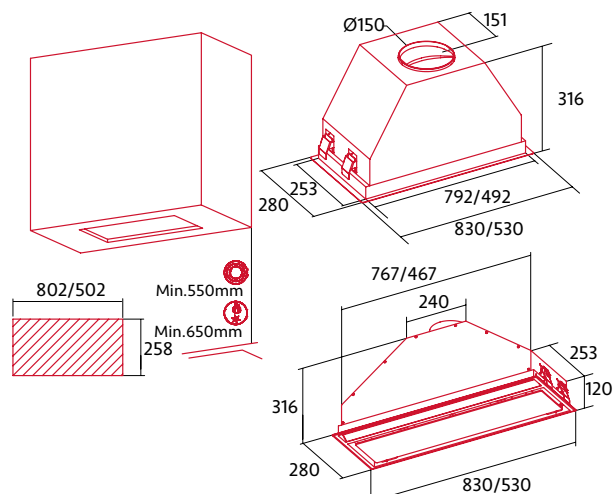
NorBreeze ECLIPSE 60 BK

Models

NorBreeze ECLIPSE 90 BK Code: 8551 EAN: 8435025785519

NorBreeze ECLIPSE 60 BK Code: 8552 EAN: 8435025785526

Dimensions Diagrams





HOBS





FLOW-IN, INDUCTION AND GAS / KITCHENWARE

With **Nodor's new induction hobs** you'll learn to enjoy cooking again. You'll dare to tackle any recipe, however complicated it might seem, thanks to their intuitive use and their new functions that help you during the cooking process, guiding you with the options available, automatically recognising up to six pans, and activating the sliding control areas when you move a pan into place.

Their cooking surfaces adapt to your needs when you're making your favourite recipes. Use pans without worrying about their position, because now you can use the entire induction surface.

The size of your kitchen doesn't matter. With Nodor's new induction hobs there's always a hob that will fit in the space available, ranging from 30 cm to 95 cm.

Induction with surface extraction is an innovative technology that combines the benefits of an induction hob with an extraction system integrated in the cooking surface itself. The induction hob with surface suction offers a modern, stylish image with no components that interfere with your line of vision.

For fans of traditional cooking, everything is now much simpler and safer with **Nodor's new gas hobs**. Their powerful 3.8 kW triple crown burners guarantee efficient cooking thanks to their ability to adjust the flame and swift heat transmission to the pan given their high heating

power. These new gas cookers are, above all, practical. Their extensive tempered glass surface simplifies the cleaning process and their cast iron grills facilitate the movement of pans across the entire surface without lifting them.

Unique flavours, intense aromas, surprising textures and new experiences are within reach with the new **Norcook Steamchef**. Healthy, nutritional cooking doesn't need to be boring: you set the limits, we'll provide the means. It has two internal trays for cooking directly with steam or in the food's own juices, a thermometer to cook at the exact temperature, steam outlet adjustment to cook things quicker or at a low temperature, and a tank to infuse aromatic herbs and give your recipe a personal touch.

Furthermore, it's perfect for use as a dish both in the oven and on any kind of hob, including induction hobs with flex areas, thanks to its rectangular base.

It offers full safety during the cooking process via ergonomic silicone handles that aid handling, and thanks to its glass safety lid that means you can see how things are going at all times.

FLOW-IN / INDUCTION



NSENSE

Automatic cookware detection, the slider controls for the cooking area are activated automatically when a pan is detected.

Nodor's new hobs are also convenient. When a pan is removed from the induction hob, its slider control will switch off automatically.



NPRECISE

Nodor's new induction hobs are synonymous with precision. You can select up to 17 power levels to achieve the perfect temperature while cooking.



NBOOST

With up to 2 extra power levels for when you need all of your Nodor induction hob's power in short spaces of cooking time.



NFOLLOWME

The power level selected for the pan will be upheld while it's moved across the surface of the different induction cooking areas.



NPROTECT

Protect your favourite pans from abrupt changes in temperature. Now Nodor's new induction hobs can detect if a pan is empty, preventing the deformations caused by excessive heating.



NFASTUP

With Nodor's new induction hobs, once the fast heat process has been completed, they automatically reduce their power, ensuring your food doesn't burn.



NLOCK

Locks the induction hob to prevent accidental activation while cooking.



NCHILD

Locks the hob to prevent children from switching it on accidentally.



NPAUSE

Clean the hob's surface area easily or leave your cooking to answer the phone or take care of a family member without worrying about what's happening in your kitchen.



NMEMORY

Nodor's new induction hobs bring nothing but benefits: if you accidentally switch off your hob, the new Nmemory function will restore the power levels and cooking areas that were being used.



NCHEF

Cook like a real chef. With the Nchef function you can divide the induction surface into three areas with a different power. On the left you can simmer vegetables or keep something hot, in the centre you can continue cooking, and on the right you can sear meat or boil large volumes of liquids.



NBBQ

With the new grill function you can achieve the characteristic flavour of a barbecue without leaving home.



NCOOK

With up to three cooking functions that allow you to easily keep food hot without cooking it, melt chocolate or butter, or boil something over a low heat.



NTIME

Some recipes require precise control of the time, such as pastas, rice dishes, eggs... It's also useful for controlling the intermediate times in your recipes, or simply to remember when something has finished.



NPASTA

Both pasta and rice will always be cooked to perfection thanks to the memorised cooking time.



NMANAGEMENT

Option of limiting the hob's power based on the power you have contracted, without limiting efficiency and cooking speed with an induction hob.

GAS



NSELECT

Nselect technology ensures efficient cooking by precisely adjusting the flame and aiding a swift transmission of heat to the pan thanks to its excellent heating power.



NFLAME

We've thought about you and your loved ones' safety. Nodor's new gas hobs feature Nflame technology, which switches off the gas supply if it detects the absence of a flame.



NSPARK

We've taken convenience into account. With the Nspark system you can instantly switch on each burner quickly and safely.

HOBS



NEW

FLOW-IN

NorCook IS N7220 BK

COD 4139 EAN 8435025741393

P. 62



TOTAL FLEX INDUCTION

NorCook IH N9205 BK

COD 4103 EAN 8435025741034

P. 64

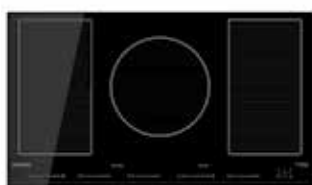


TOTAL FLEX INDUCTION

NorCook IH N8205 BK

COD 4104 EAN 8435025741041

P. 65



NEW

INDUCTION HOB

NorCook IH N9323 BK

COD 4146 EAN 8435025741461

P. 66



NEW

INDUCTION HOB

NorCook IH N8106 BK

COD 4149 EAN 8422248350082

P. 67



NEW

INDUCTION HOB

NorCook IH N6406 BK

COD 4158 EAN 8422248350129

P. 68



NEW

INDUCTION HOB

NorCook IH N6326 BK

COD 4132 EAN 8422248350099

P. 69



NEW

INDUCTION HOB

NorCook IH N6286 SW

COD 4131 EAN 8422248350112

P. 70



NEW

INDUCTION HOB

NorCook IH N6286 BK

COD 4133 EAN 8422248350105

P. 70



INDUCTION HOB

NorCook IH N7003 BK

COD 4126 EAN 8435025741263

P. 71



INDUCTION HOB

NorCook IH N3200 BK

COD 4110 EAN 8435025741102

P. 72

HOBBS



INDUCTION HOB

NorCook IH N7703 BK

COD 4111 EAN 8435025741119

P. 73



INDUCTION HOB

NorCook IH N7502 BK

COD 4112 EAN 8435025741126

P. 74



NEW

VITROCERAMIC HOB

NorCook VH N6400 BK

COD 4166 EAN 8435025741669

P. 74



NEW

VITROCERAMIC HOB

NorCook VH N3201 BK

COD 4160 EAN 8435025741601

P. 75



VITROCERAMIC HOB

NorCook VH N7502

COD 4117 EAN 8435025741171

P. 75



GAS HOB

NorCook GH 7830 GBK

COD 4123 EAN 8435025741232

P. 76



GAS HOB

NorCook GH 7820 GBK

COD 4124 EAN 8435025741249

P. 77



NEW

GAS HOB

NorCook GH 8632 GBK

COD 4165 EAN 8422248360173

P. 78



NEW

GAS HOB

NorCook GH 6032 GBK

COD 4164 EAN 8422248360159

P. 79



NEW

GAS HOB

NorCook GH N3012 GBK

COD 4163 EAN 8422248360166

P. 80



KITCHENWARE

NorCook STEAMCHEF

COD 1368 EAN 8435025713680

P. 81



FLOW-IN

NorCook IS N7220 BK

NEW

- Induction hob with surface suction
- 4 burners: Each one 21 x 19 cm, which can be combined into two modular areas (21 x 38 cm)
- Hidden slider touch control panel
- Continuous heating power selector with 9 levels. Nboost+, 2 Boosters
- Timer selector
- Ncook: Melt, keep hot, cook at low temperature
- Residual heat indicator
- Maximum power 7.2 kW
- 6 extraction levels: 5 + 1 TURBO
- Automatic extraction mode
- Maximum/minimum extraction capacity (Reg. (EU) no. 65/2014): 545 m³/h - 198 m³/h
- Noise level (Reg. (EU) no. 65/2014): 45 dB(A), maximum: 64 dB(A)
- Brushless motor. Extra silent. Maximum energy consumption 135 W
- Air suction speed: 10 m/s
- Dishwasher-safe filters
- Max. pressure: 357 Pa - TURBO pressure: 365 Pa
- Discharge 150 mm
- Energy class: A
- Accessories (not included)
 Base recirculating kit AS750 - Code **02800939** / EAN **8422248080330**
 Washable active carbon filters spare kit - Code **02800937** / EAN **8422248078900**
 Rectangular ducts kit, base 40 cm - Code **0280092** / EAN **8422248112765**

Finishes



NorCook IS N7220 BK

Models

NorCook IS N7220 BK

Code: 4139

EAN: 8435025741393



Npause



Nchild



Nboost

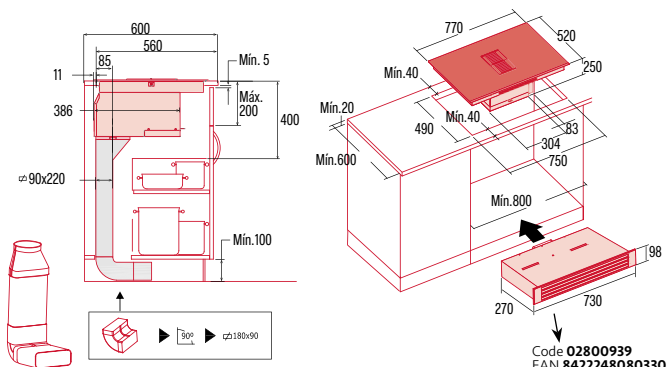


MINIMUM SOUND LEVEL



ENERGY EFFICIENCY

Dimensions Diagrams



Code **02800939**
EAN **8422248080330**





TOTAL FLEX Induction

NorCook IH N9205 BK

- Total cooking surface (87 x 38 cm)
- Hidden slider touch control panel
- Timer selector
- Ncook: Melt, keep hot, cook at low temperature Nprecise
- Individual continuous heating power selector per pan, with 17 levels
- Nboost+, 2 Boosters
- Residual heat indicator
- Maximum power 11 kW



Nsense



Nfollowme



Nchef



NBBQ



Nfastup



Npause



Nmemory



Nlock



Nchild



Nprotect

Finishes



NorCook IH N9205 BK

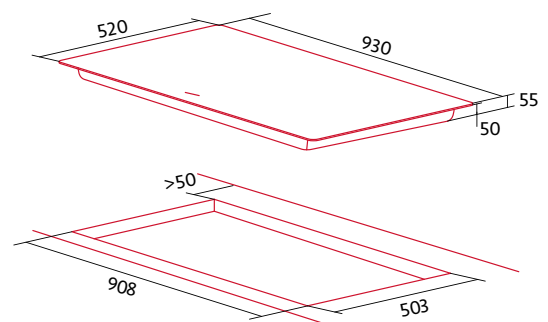
Models

NorCook IH N9205 BK

Code: 4103

EAN: 8435025741034

Dimensions Diagrams





TOTAL FLEX Induction

NorCook IH N8205 BK

- Total cooking surface (75 x 38 cm)
- Hidden slider touch control panel
- Nprecise. Individual continuous heating power selector per pan, with 17 levels. Nboost+, 2 Boosters
- Timer selector
- Ncook: Melt, keep hot, cook at low temperature
- Residual heat indicator
- Maximum power 11 kW

Models

NorCook IH N8205 BK **Code:** 4104 **EAN:** 8435025741041



Nsense



Nfollowme



Nchef



NBBQ



Nfastup



Npause



Nmemory



Nlock



Nchild



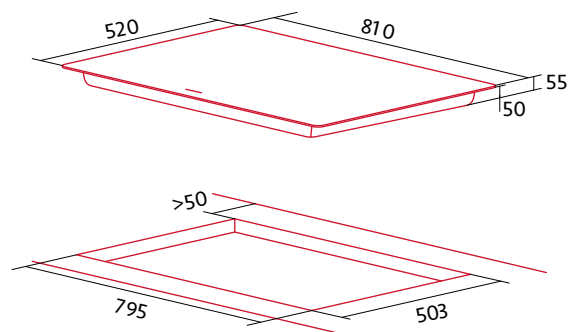
Nprotect

Finishes



NorCook IH N8205 BK

Dimensions Diagrams





Frontal bevelled induction hob

NorCook IH N9323 BK

NEW

Models

NorCook IH N9323 BK

Cod.: 4146 **EAN:** 8435025741461

- 5 Zone: One of 30cm, 4 of 21x20 cm, can be combined in two modular zones (21 x 40 cm)
- Multi Slider Touch control panel
- Centralized power selector, with 9 levels. Nboost, 1 Booster
- Timer selector
- Ncook: Melting, Keep warm, Simmering
- Residual heat indicator
- Max. Power: 9 kW



Npause



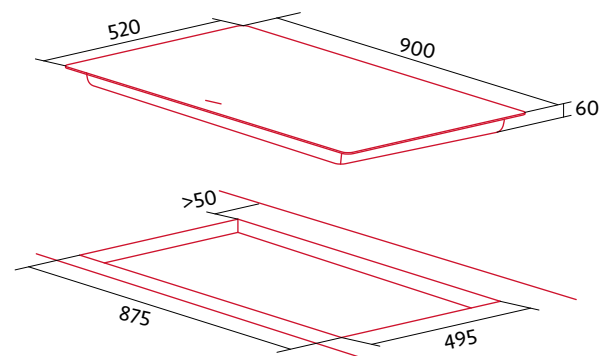
Nchild

Finishes



NorCook IH N9323 BK

Dimensions Diagrams





Induction with front bevel

NorCook IH N8106 BK

NEW

Models

NorCook IH N8106 BK **Code:** 4149 **EAN:** 8422248350082

- 4 burners: 1 of 30 cm, 1 of 18 cm, 2 of 21 x 20 cm, which can be combined into one modular area (21 x 40 cm)
- Hidden slider touch control panel
- Continuous heating power selector with 9 levels. Nboost+, 2 Boosters
- Timer selector
- Ncook: Melt, keep hot, cook at low temperature
- Residual heat indicator
- Maximum power 10.8 kW



Nsense



Nfollowme



Nconnect



Nchef



NBBQ



Nfastup



Npause



Nmemory



Nlock



Nchild



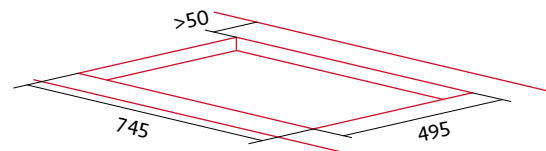
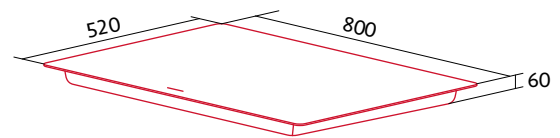
Npasta

Finishes



NorCook IH N8106 BK

Dimensions Diagrams





Rounded induction hob

NorCook IH N6406 BK

NEW

Models

NorCook IH N6406 BK

Cod.: 4158

EAN: 8422248350129

- 4 Zone: One of 30cm, one of 18cm, 2 of 21x20 cm, can be combined in two modular zones (21 x 40 cm)
- Hidden Slider Touch control panel
- Power selector with 9 levels. Nboost+, 2 Boosters
- Timer selector
- Ncook: Melting, Keep warm, Simmering
- Residual heat indicator
- Max. Power: 7,2 kW



Nsense



Nfollowme



Nconnect



Nchef



NBBQ



Nfastup



Npause



Nmemory



Nlock



Nchild



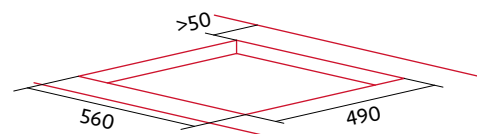
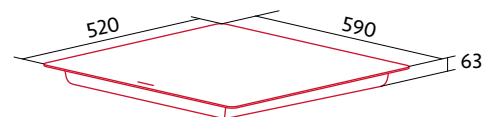
Npasta

Finishes



NorCook IH N6406 BK

Dimensions Diagrams





Induction with front bevel

NorCook IH N6326 BK

NEW

Models

NorCook IH N6326 BK Code: 4132 EAN: 8422248350099

- 3 burners: One of 32/19 cm, another of 21 cm and another of 16 cm
- Hidden slider touch control panel
- Continuous heating power selector with 9 levels. Nboost+, 2 Boosters
- Timer selector
- Ncook: Melt, keep hot, cook at low temperature
- Residual heat indicator
- Maximum power 7.1 kW



Nsense



Nfollowme



Nconnect



Nchef



NBBQ



Nfastup



Npause



Nmemory



Nlock



Nchild



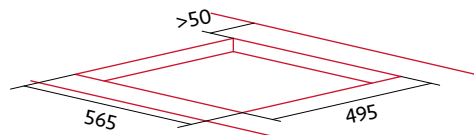
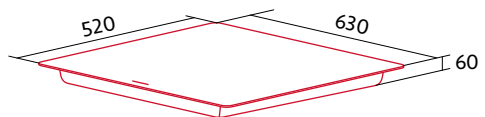
Npasta

Finishes



NorCook IH N6326 BK

Dimensions Diagrams





Induction with front bevel

NorCook IH N6286

NEW

Models

- 3 burners: One of 28/18 cm, another of 21 cm and another of 16 cm
- Hidden slider touch control panel
- Continuous heating power selector with 9 levels. Nboost+, 2 Boosters
- Timer selector
- Ncook: Melt, keep hot, cook at low temperature
- Residual heat indicator
- Maximum power 7.1 kW

| | | |
|----------------------------|-------------------|---------------------------|
| NorCook IH N6286 SW | Code: 4131 | EAN: 8422248350112 |
| NorCook IH N6286 BK | Code: 4133 | EAN: 8422248350105 |



Nsense



Nfollowme



Nconnect



Nchef



NBBQ



Nfastup



Npause



Nmemory



Nlock



Nchild



Npasta

Finishes

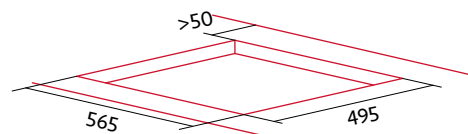
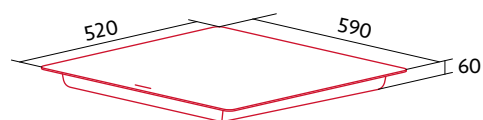


NorCook IH N6286 BK



NorCook IH N6286 SW

Dimensions Diagrams





Frontal bevelled induction hob

NorCook IH N7003 BK

- 3 Zone: One of 27 cm, other of 22 cm and other of 18 cm diameter
- Touch control panel
- Centralized power selector, with 9 levels. Nboost, 1 Booster
- Timer selector
- Residual heat indicator
- Max. Power: 6,7 kW



Nfastup



Nmemory



Nlock



Nchild

Finishes



NorCook IH N7003 BK

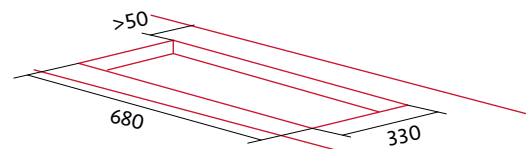
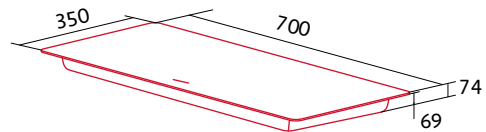
Models

NorCook IH N7003 BK

Cod.: 4126

EAN: 8435025741263

Dimensions Diagrams





Induction with front bevel

NorCook IH N3200 BK

- 2 burners: Two modular burners of 21.5 cm (21.5 x 40 cm)
- Touch control panel
- Centralised power selector with 9 levels. Nboost, 1 Booster
- Timer selector
- Ncook: keep hot
- Residual heat indicator
- Maximum power 3.7 kW



Nlock



Nchild

Finishes

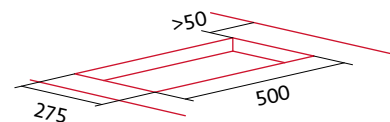
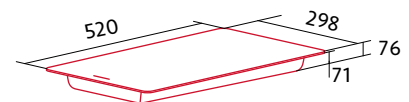


NorCook IH N3200 BK

Models

NorCook IH N3200 BK **Code:** 4110 **EAN:** 8435025741102

Dimensions Diagrams





Frontal bevelled induction hob

NorCook IH N7703 BK

- 3 Zone: One of 27 cm, other of 22 cm and other of 18 cm diameter
- Touch control panel
- Centralized power selector, with 9 levels. Nboost, 1 Booster
- Timer selector
- Residual heat indicator
- Max. Power: 6,7 kW



Nchild

Finishes

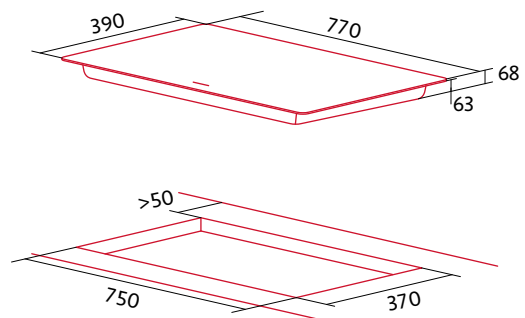


NorCook IH N7703 BK

Models

NorCook IH N7703 BK **Cod.:** 4111 **EAN:** 8435025741119

Dimensions Diagrams





Frontal bevelled induction hob

NorCook IH N7502 BK

- 2 Zone: One of 27 cm and other of 22 cm diameter
- Mono Slider Touch control panel
- Centralized power selector, with 9 levels. Nboost, 1 Booster
- Timer selector
- Ncook: Keep warm
- Residual heat indicator
- Max. Power: 6 kW

Models

NorCook IH N7502 BK Cod.: 4112 EAN: 8435025741126



Nfastup



Nmemory



Nlock



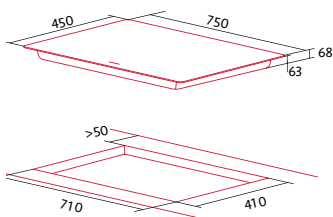
Nchild

Finishes



NorCook IH N7502 BK

Dimensions Diagrams



Vitroceramic hob

NorCook VH N6400 BK

NEW

- 4 cooking areas: 2 zone of Ø180mm, 2 zone of Ø140mm
- Touch Control with acoustic warning
- Centralized power selector, with 9 levels
- Timer selector
- Residual heat indicator
- Total power 6kW

Models

NorCook VH N6400 BK Cod.: 4166 EAN: 8435025741669



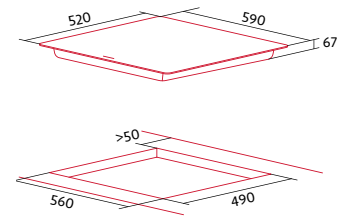
Nchild

Finishes



NorCook VH N6400 BK

Dimensions Diagrams





Vitroceramic hob

NorCook VH N3201 BK

NEW

- 2 High Light cooking areas: 1 zone of $\varnothing 190/120\text{mm}$, 1 zone of $\varnothing 155\text{mm}$
- Touch Control with acoustic warning
- Centralized power selector, with 9 levels
- Timer selector
- Residual heat indicator
- Total power 3.2kW

Models

NorCook VH N3201 BK Cod.: 4160 EAN: 8435025741601



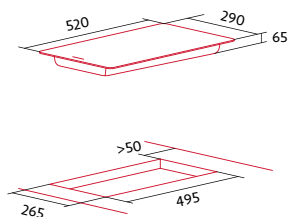
Nchild

Finishes



NorCook VH N3201 BK

Dimensions Diagrams



Frontal bevelled ceramic hob

NorCook VH N7502

- 2 Zone: One of 27/21 cm and other of 18 cm diameter
- Touch control panel
- Centralized power selector, with 9 levels
- Residual heat indicator
- Max. Power: 4,2 kW

Model

NorCook VH N7502 Cod.: 4117 EAN: 8435025741171



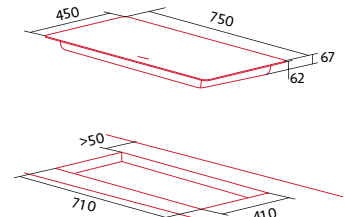
Nchild

Finishes



NorCook VH N7502

Dimensions Diagrams





GAS HOB

NorCook GH 7830 GBK

- 3 Cast iron independent pan supports on tempered glass surface
- Two high efficiency (5 kW) triple ring burner, and one auxiliary burner (1,5kW) in brass colour
- Frontal controls
- Nconnect cooker hood connectivity
- Nspark. Electronic start-up built into control
- Nflame. Gas shut-off safety system
- For natural gas or butane gas (nozzles included)
- Total gas power: 11,5 kW



Number of Burners



Nconnect



Nspark



Nflame

Finishes



NorCook GH 7830 GBK

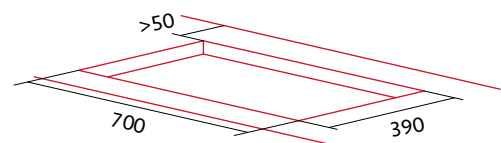
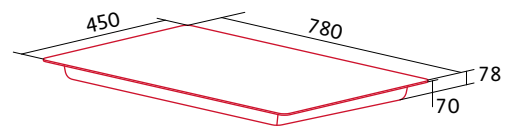
Models

NorCook GH 7830 GBK

Cod.: 4123

EAN: 8435025741232

Dimensions Diagrams





GAS HOB

NorCook GH 7820 GBK

- 3 Cast iron independent pan supports on tempered glass surface
- Two high efficiency (5 kW) triple ring burner
- Frontal controls
- Nconnect cooker hood connectivity
- Nspark. Electronic start-up built into control
- Nflame. Gas shut-off safety system
- For natural gas or butane gas (nozzles included)
- Total gas power: 10 kW

Models

NorCook GH 7820 GBK **Cod.:** 4124 **EAN:** 8435025741249



Number of Burners



Nconnect



Nspark



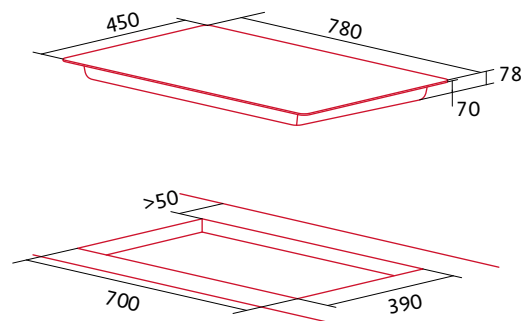
Nflame

Finishes



NorCook GH 7820 GBK

Dimensions Diagrams





GAS GLASS HOB

NorCook GH 8632 GBK

NEW

Models

NorCook GH 8632 GBK

Code: 4165

EAN: 8422248360173

- 3 independent cast iron grills on tempered glass surface
- 2 high-efficiency triple crown burners (3.5 kW) and 1 auxiliary burner (1.75 kW)
- Illuminated front controls
- Nselect power adjustment
- Nspark. Electrical switch-on built into control
- Nflame. Gas shut-off safety system
- Suitable for natural gas and butane gas (includes injectors)
- Total gas power: 8.75 kW



NSELECT



NSPARK



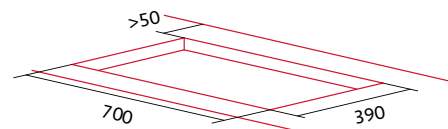
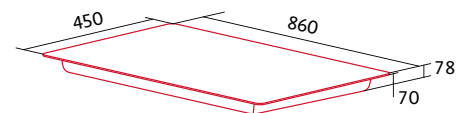
NFLAME

Finishes



NorCook GH 8632 GBK

Dimensions Diagrams





GAS GLASS HOB

NorCook GH 6032 GBK

NEW

Models

NorCook GH 6032 GBK **Code:** 4164 **EAN:** 8422248360159

- 2 independent cast iron grills on tempered glass surface with front controls
- 1 high-efficiency triple crown burner (3.5 kW), 1 fast burner (1.75 kW) and 1 auxiliary burner (1 kW)
- Nspark. Electrical switch-on built into control
- Nflame. Gas shut-off safety system
- Suitable for natural gas and butane gas (includes injectors)
- Total gas power: 6.25 kW



NSELECT



NSPARK



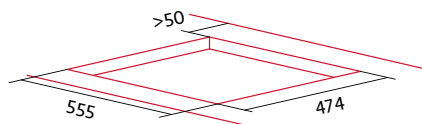
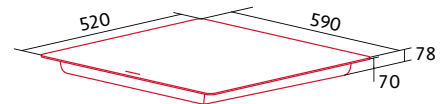
NFLAME

Finishes



NorCook GH 6032 GBK

Dimensions Diagrams





GAS GLASS HOB

NorCook GH N3012 GBK

NEW

Models

NorCook GH N3012 GBK Code: 4163 EAN: 8422248360166

- 1 independent cast iron grill on tempered glass surface with front controls
- 1 high-efficiency triple crown burner (3.5 kW)
- Nspark. Electrical switch-on built into control
- Nflame. Gas shut-off safety system
- Suitable for natural gas and butane gas (includes injectors)
- Total gas power: 3.5 kW



NSPARK



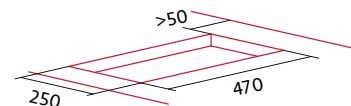
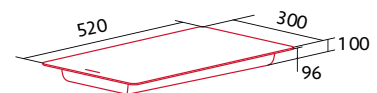
NFLAME

Finishes



NorCook GH N3012 GBK

Dimensions Diagrams





KITCHENWARE

NorCook STEAMCHEF

- Stainless steel steam cooking dish
- Steam regulation valve for cooking more quickly or at a low temperature
- Thermometer to cook at the exact temperature
- Highly resistant glass lid
- Tank for herb infusion
- Highly efficient diffuser base
- Two internal trays to cook with steam or in the food's own juices
- Resistant silicone handles (up to 200°C)
- Cooking dish with 7-litre capacity
- Internal trays with 1.5-litre capacity



SUITABLE FOR OVEN



SUITABLE FOR INDUCTION HOB



SUITABLE FOR ELECTRIC HOB



SUITABLE FOR GLASS-CERAMIC HOB



SUITABLE FOR GAS HOB



DISHWASHER SAFE

Finishes



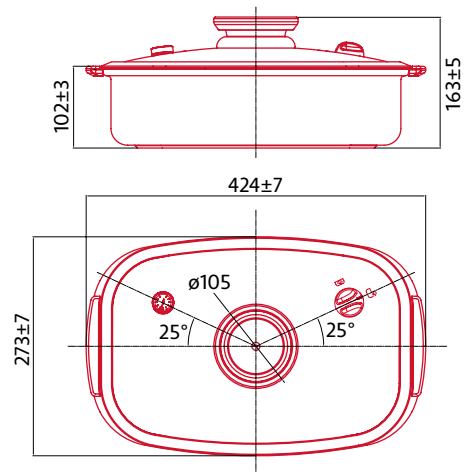
NorCook STEAMCHEF



Models

NorCook STEAMCHEF Code: 1368 EAN: 8435025713680

Dimensions Diagrams







WHITE GOODS



WHITE GOODS

REFRIGERATORS, FREEZERS, DISHWASHERS, WASHING MACHINES AND TUMBLE DRYERS

The extensive range of **Nodor refrigerators** are designed to suit any type of setting, from the restraint of its models with a black or white glass finish, to more daring kitchens that opt for colour contrasts or more classic settings with the vintage range, which comes in stainless steel.

With Nodor's new built-in refrigerators we're choosing sensations. These are the perfect solution for achieving more visually sweeping spaces and astonishing designs, thanks to their full integration with the kitchen units.

We aim to guarantee the freshness and quality of the food stored inside Nodor refrigerators. Thanks to temperature and humidity control, food is kept fresher for longer.

We care about you, but we also care particularly about the environment. Nodor refrigerators and freezers are designed from their first sketch to the end of their useful life with environmental sustainability in mind. The use of recyclable materials, a reduced use of fluorinated gases,

the efficient distribution and generation of cold, and a reduced energy consumption help to reduce our carbon footprint. Nodor's models with an energy class of E A++ entail a 20% saving compared with a class G A model. LED lighting inside both refrigerators and freezers helps you to view inside the appliance while also reducing energy consumption and maintenance.

To ensure a refrigerator operates correctly, when purchasing one make sure you take into account its climate class as an incorrect choice could result in poor food storage and greater consumption. Nodor refrigerators have been designed to operate in temperature ranges from 10°C to 43°C, meaning hot climates.

Because your peace of mind and leisure time matter to us, Nodor's new refrigerators are really silent, with a noise level of 40 dB, 12% below the wellness level advised by the World Health Organisation.

REFRIGERATORS / FREEZERS



NPLASMA

An innovative disinfection system via plasma that eliminates viruses and bacteria with 96.5% effectiveness. You no longer need to clean your purchases with alcohol or diluted bleach when you get home. Enjoy the food stored in your refrigerator with full peace of mind.



NZONE

You can turn the freezer area into a refrigeration zone, increasing the refrigeration volume by 49%.



NFRESHZONE+

Their sensors' precision when it comes to adjusting the temperature is a crucial factor in terms of saving energy and ensuring food is stored correctly. With cold distribution in three independent areas, your food will last for longer and will remain fresher until it's time to use it, saving you time when shopping and saving you money.

Furthermore, since the cold is distributed across three different areas, you'll ensure smells don't mix inside the fridge. And if that's not enough, with Eplasma technology you'll eliminate all traces of bad smells thanks to its negative ions.



NFRESHZONE

Efficient, stable distribution of cold air enabling reduced consumption.



NFROST

All refrigerators in Nodor's new range featuring Norfrost technology prevent ice from forming on their walls, thereby facilitating maintenance and cleaning tasks while also ensuring improved food storage and a longer useful life for the appliance.



NLIFEBOX

The temperature remains close to 0 degrees, but without freezing food: storing meat and fish while maintaining their proteins, vitamins, minerals and micronutrients to guarantee the health of you and your loved ones.



NCHILLY

Is your team about to kick off in the cup final and you've forgotten to fill the refrigerator with your favourite drink? With the Nchilly function you can quickly chill food and beverages to ensure they're ready before the match starts.



NDUALZONE

Independent temperature adjustment in the refrigerator and the freezer means you can generate two distinct atmospheres. Humid to keep food fresh in the refrigerator, and dry to ensure food in the freezer doesn't generate ice.



NGREENBOX

Thanks to humidity and temperature control, you can store fruit and vegetables while maintaining their recently picked flavour and freshness.



NSUBZERO

This function enables a quick freeze of foods, preventing contamination by the microorganisms found in food as well as the formation of large ice crystals on the food, which would otherwise affect its flavour and texture. Nodor refrigerators have three freezer drawers that will facilitate foodstuffs storage and prevent cross-contamination between them.

Nodor's new built-in dishwashers allow for a variety of installation options, which means they can adapt to any type of kitchen, offering you extra convenience in your daily life.

Environmentally friendly, Nodor's new dishwashers consume 28% less energy than those categorised as E class while washing. Their washing efficiency is key to lower consumption, but their capacity also aids energy savings since they can wash more dishes in a single washing cycle. They also have a deferred programme option to aid electricity consumption savings with your night rate. Nodor's new dishwashers can accommodate

16 place settings.

Nodor's new dishwashers are incredibly practical. They have three racks where you can safely position your dishes in an orderly fashion. Thanks to their third sprinkler, cleaning is guaranteed to reach every corner of your dishwasher.

Since not every day is the same, fortunately, Nodor's dishwashers adapt to your rhythm of life by offering different programmes to tackle big family meals, gatherings with friends and romantic dinners with the dishes you keep for special occasions.

DISHWASHERS



Nslider

The little details make all the difference. The new Nslider dispenser means the number of dishwasher services can be increased thanks to its innovative opening system, while it also guarantees the correct distribution of detergent by ensuring it doesn't get stuck in the opening cover or dishes.



N3protect

Your safety – as well as that of your home – is important. With Nodor's N3protect system water leaks are prevented when the dishwasher isn't in use. It protects your dishes and the dishwasher from overheating caused by excess temperature. In addition, it ensures no overflows during the washing process.



Nwashing

Nodor's new dishwashers with the Nwashing function are so silent (at just 42 dB) that we've included an LED light that shines on the floor while they are operating to prevent you from accidentally opening them. This is an elegant and silent way of letting you know when your dishes are ready.



Nstorm

Intensive programme for stubborn stains that would take a great deal of effort, time and energy to remove without the help of a dishwasher.



Nsave

Eco programme. The most efficient programme in terms of energy consumption and water savings.



Ncare

Glass programme. To care for the delicate dishes you love with improved drying that ensures no annoying droplets are left on your glasses.



Nfresh

Special programme to soften dirt before washing or to remove bad smells inside the dishwasher when dishes are dirty.



Npush

With the convenience of the Npush system, which allows you to adjust the height of the second tray depending on the type of dinnerware you want to wash. As a result, you can adapt the tray if you have to wash large pans, wine glasses or tall glasses. Of course, you always have the flexibility offered by their third modular tray, which has been specially designed for washing cutlery.



Nmove

The dishwasher's door, with Nmove, guarantees full integration since it can be installed to leave a gap of 3 mm to the floor or drawer. Thanks to its innovative hinges, you won't need to cut the skirting, allowing for better integration of the dishwasher with your kitchen units. Now your installation options have increased: you can install Nodor dishwashers traditionally (under the worktop) or more ergonomically (in column format to aid dish loading and unloading).



Ndaily

Daily programme. Specially for dishes that aren't particularly dirty.



Nquick+

Fast programme. For when you don't have time, in 30 minutes your dishes will be ready.



Nquick

Express programme. High-temperature cleaning in just 90 minutes.



Nby2

When the dishwasher isn't full you can wash a half-load without having to position the dishes in any particular way. This leads to reduced energy and water consumption, and less time is required as the wash duration is reduced by 10 minutes.



Nodor's new built-in washing machines are the perfect ally for your kitchen. You'll forget you have a washing machine, not just because of its integration with your kitchen units, but also due to its washing efficiency, consumption efficiency and, above all, for its silence.

The door's large diameter and opening angle will facilitate the loading and unloading of clothes. Together with its high load volume (capacity of up to 8 kg), you can wash an entire load in 60 minutes, or in just 15

minutes if you opt for the Nquick+ fast wash.

We also have washing-dryer machines that will leave your clothes dry, ready for ironing, after washing them.

Nodor's new dishwashers with energy class B consume 38% less than class F machines.

WASHING MACHINES / TUMBLE DRYERS



NQUICK+

The little details make all the difference. The new Nslider dispenser means the number of dishwasher services can be increased thanks to its innovative opening system, while it also guarantees the correct distribution of detergent by ensuring it doesn't get stuck in the opening cover or dishes.



NSENSOR

Your safety – as well as that of your home – is important. With Nodor's N3protect system water leaks are prevented when the dishwasher isn't in use. It protects your dishes and the dishwasher from overheating caused by excess temperature. In addition, it ensures no overflows during the washing process.



NCHILD

Nodor's new dishwashers with the Nwashing function are so silent (at just 42 dB) that we've included an LED light that shines on the floor while they are operating to prevent you from accidentally opening them. This is an elegant and silent way of letting you know when your dishes are ready.



NSPECIAL

Intensive programme for stubborn stains that would take a great deal of effort, time and energy to remove without the help of a dishwasher.

REFRIGERATORS & FREEZERS



NEW

REFRIGERATOR

NorFrost INFINITY 178 TNF SS

COD 8592 EAN 8422248110822

P. 90



NEW

COMBI FRIDGE FREEZER

NorFrost TWIN 189 TNF GDB

COD 8602 EAN 8435025786028

P. 91



NEW

COMBI FRIDGE FREEZER

NorFrost HAIL 201 NF GDB

COD 4214 EAN 8422248349857

P. 92



NEW

COMBI FRIDGE FREEZER

NorFrost HAIL 201 TNF INOX

COD 4205 EAN 8435025742055

P. 93



NEW

COMBI FRIDGE

NorFrost TUNDRA TNF 177 BI SL

COD 4213 EAN 8422248349741

P. 94



NEW

FREEZER

NorFrost ICE TNF 177 BI SL

COD 4212 EAN 8422248349734

P. 95



NEW

COMBI FRIDGE FREEZER

NorFrost HAIL 193 TNF BI 70

COD 4206 EAN 8422248343176

P. 96



NEW

COMBI FRIDGE FREEZER

NorFrost HAIL 193 TNF BI SL

COD 4210 EAN 8422248349703

P. 97



NEW

COMBI FRIDGE FREEZER

NorFrost HAIL TNF 177 BI

COD 8579 EAN 8435025785793

P. 98



COMBI FRIDGE FREEZER

NorFrost HAIL 177 TNF BI SL

COD 4211 EAN 8422248349727

P. 99



NEW

COMBI FRIDGE FREEZER

NorFrost HAIL 82 BI SL

COD 4209 EAN 8422248349697

P. 100



NEW

REFRIGERATOR

NorFrost TUNDRA 82 BI

COD 4207 EAN 8422248343954

P. 101



NEW

FREEZER

NorFrost ICE 82 BI

COD 4208 EAN 8422248343961

P. 102

DISHWASHERS / WASHING MACHINES and TUMBLE DRYERS



DISHWASHER

NorCare DW 6145 I PRO

COD 8711 EAN 8422248110792

P. 103



DISHWASHER

NorCare DW6141 I SL

COD 8709 EAN 8435025787094

P. 104



DISHWASHER

NorCare DW4611 I SL

COD 8710 EAN 8435025787100

P. 105



WASHING MACHINE & TUMBLE DRYER

NorCare WD1480 I

COD 4198 EAN 8435025741980

P. 106



WASHING MACHINE

NorCare WM 1491 I

COD 4173 EAN 8422248360319

P. 107





REFRIGERATOR

NorFrost INFINITY 178 TNF SS

NEW

Models

NorFrost INFINITY 178 TNF SS Code: 8592 EAN: 8422248110822

- Ndualzone No-Frost American refrigerator of 1.80 m
- Ndualzone No-Frost technology in refrigerator and freezer
- Electronic temperature adjustment
- Nfreshzone system that efficiently and stably distributes the cold
- Nchilly function in refrigerator and Nsubzero in freezer
- Automatic refrigerator and freezer defrost
- Refrigerator: 2 Ngreenbox drawers / Freezer: 2 large drawers
- Handle on door



ENERGY EFFICIENCY



Norfrost



Ndualzone



LED electronic touch control on door



Nchilly Nsubzero



Ngreenbox



NET CAPACITY (379 + 213)



ELECTRICITY CONSUMPTION



LED lighting



Nsave

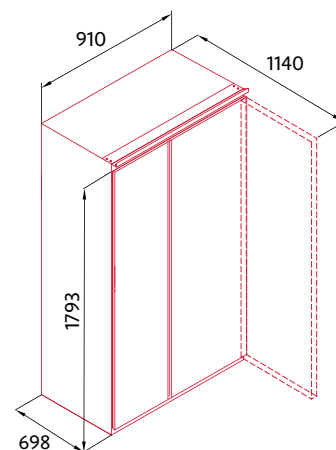
Finishes



NorFrost INFINITY 178 TNF SS



Dimensions Diagrams





REFRIGERATOR

NorFrost TWIN 189 TNF GDB

NEW

Models

NorFrost TWIN 189 TNF GDB Code: 8602 EAN: 8435025786028

- Ndualzone No-Frost French-door refrigerator of 1.90 m
- Electronic temperature adjustment
- Nfreshzone+ system that efficiently and stably distributes the cold
- Internal metal finishes
- Nchilly function in refrigerator and Nsubzero in freezer
- Automatic refrigerator and freezer defrost
- Refrigerator: 1 Nlifebox drawer and 2 Ngreenbox drawers
- Freezer: 2 large telescopic drawers
- Nzone, turn freezer into refrigerator
- Handle built into door



ENERGY EFFICIENCY



Norfrost



Ndualzone



LED electronic touch control on door



Nchilly Nsubzero



Nlifebox



Ngreenbox



Nplasma



NET CAPACITY (348 + 187)



ELECTRICITY CONSUMPTION (348 + 187)



LED lighting



Nsave

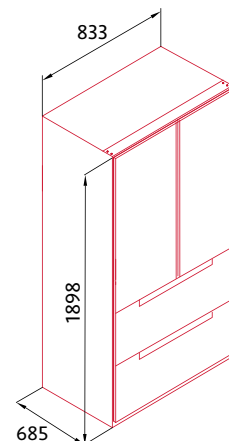
Finishes



NorFrost TWIN 189 TNF GDB



Dimensions Diagrams





COMBI FRIDGE FREEZER

NorFrost HAIL 201 NF GDB

NEW

Models

NorFrost HAIL 201 NF GDB/B Code: 4214 EAN: 8422248349857

- Ndualzone No-Frost technology in refrigerator and freezer of 2.01 m
- Electronic temperature adjustment
- Nfreshzone system that efficiently and stably distributes the cold
- Internal metal finishes, black glass safety door
- Nsubzero function in freezer
- Automatic refrigerator and freezer defrost, Nsave function
- Refrigerator: 1 Ngreenbox drawer
- Freezer: 3 large drawers
- Metal bottle rack
- Handle built into door / Reversible doors



ENERGY EFFICIENCY



NorFrost



Ndualzone



LED electronic touch control on door



Ngreenbox



NET CAPACITY (238 + 98)



ELECTRICITY CONSUMPTION



LED lighting



Nsave

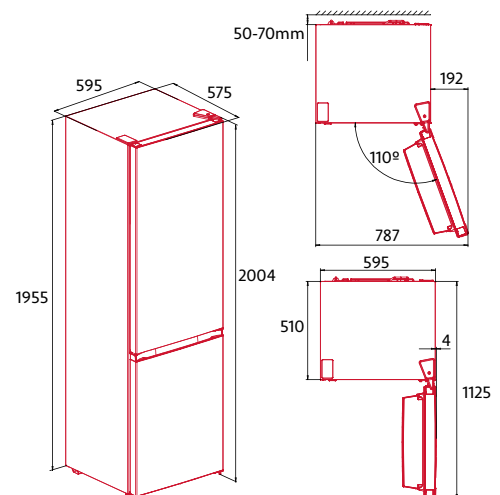
Finishes



NorFrost HAIL 201 NF GDB



Dimensions Diagrams





COMBI FRIDGE FREEZER

NorFrost HAIL 201 TNF INOX

NEW

Models

NorFrost HAIL 201 TNF INOX Code: 4205 EAN: 8435025742055

- Ndualzone No-Frost combi fridge freezer of 2.01 m in stainless steel
- Ndualzone No-Frost technology in refrigerator and freezer
- Electronic temperature adjustment
- Nfreshzone system that efficiently and stably distributes the cold
- Internal metal finishes
- Nchilly function in refrigerator and Nsubzero in freezer
- Automatic refrigerator and freezer defrost
- Refrigerator: 1 Nlifebox drawer and 1 Ngreenbox drawer / Freezer: 3 large drawers
- Metal bottle rack / Handle built into door / Reversible doors



ENERGY EFFICIENCY



Norfrost



Ndualzone



LED electronic touch control on door



Nchilly Nsubzero



Nlifebox



Ngreenbox



NET CAPACITY (246 + 83)



192 kWh/año ELECTRICITY CONSUMPTION



LED lighting



Nsave

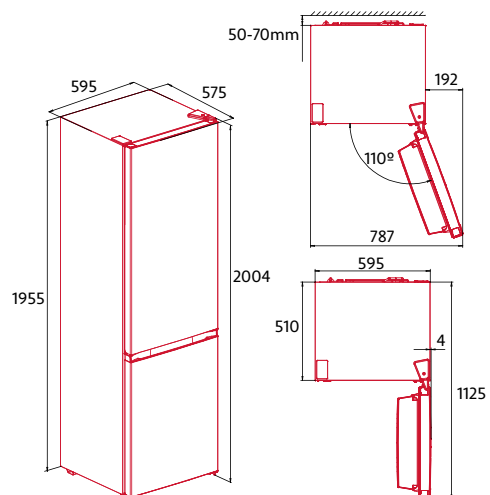
Finishes



NorFrost HAIL 201 TNF INOX



Dimensions Diagrams





COMBI BUILT-IN REFRIGERATOR

NorFrost TUNDRA TNF 177 BI SL

NEW

Models

NorFrost TUNDRA TNF 177 BI SL Code: 4213 EAN: 8422248349741

- FULL No-Frost built-in refrigerator of 1.77 m
- Electronic temperature adjustment
- Option of side-by-side integration with our NorFrost ICE 177 TNF BI SL model
- Internal metal finishes
- Nchilly function
- Automatic refrigerator defrost
- 4 door shelves and 4 glass shelves included, plus 3 drawers for fruit and vegetables
- Metal bottle rack
- Sliding door / Reversible doors



ENERGY EFFICIENCY



NorFrost



Electronic control with LED



Nchilly



Door open alarm



NET CAPACITY



ELECTRICITY CONSUMPTION



LED lighting

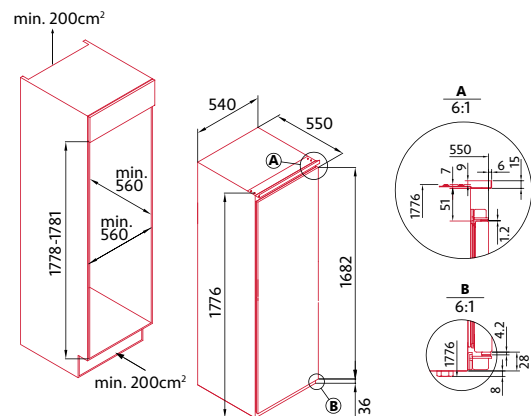
Finishes



NorFrost TUNDRA TNF 177 BI SL



Dimensions Diagrams





BUILT-IN FREEZER

NorFrost ICE TNF 177 BI SL

NEW

Models

NorFrost ICE TNF 177 BI SL Code: 4212 EAN: 8422248349734

- FULL No-Frost built-in freezer of 1.77 m
- Electronic temperature adjustment
- Option of side-by-side integration with our NorFrost TUNDRA 177 TNF BI SL model
- Nsubzero function
- Automatic freezer defrost
- Freezer: 7 large drawers
- Ice cube trays
- Sliding door / Reversible doors



ENERGY EFFICIENCY



NorFrost



Electronic control with LED



Nsubzero



Door open alarm



NET CAPACITY



ELECTRICITY CONSUMPTION

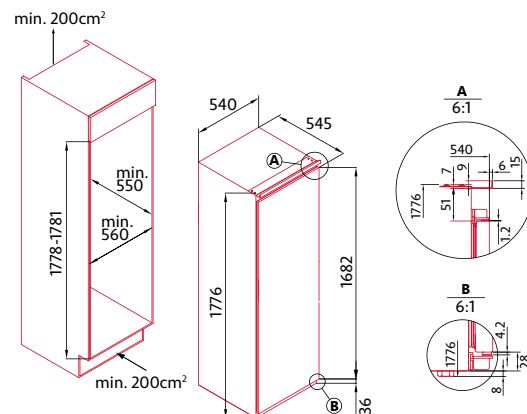
Finishes



NorFrost ICE TNF 177 BI S



Dimensions Diagrams





COMBI BUILT-IN FRIDGE FREEZER

NorFrost HAIL 193 TNF BI 70

NEW

Models

NorFrost HAIL 193 TNF BI 70 Code: 4206 EAN: 8422248343176

- TOTAL No-Frost built-in combi fridge freezer of 1.94 m, with internal metal finishes
- Ndualzone No-Frost technology in refrigerator and freezer
- Electronic temperature adjustment
- Nfreshzone system that efficiently and stably distributes the cold
- Nchilly function in refrigerator and Nsubzero in freezer
- Automatic refrigerator and freezer defrost
- Refrigerator: 1 Nlifebox drawer and 1 Ngreenbox drawer
- Freezer: 3 large drawers
- Ice cube trays / 70 cm wide / Reversible doors



ENERGY EFFICIENCY



Norfrost



Ndualzone



Electronic control with LED



Nchilly Nsubzero



Nlifebox



Ngreenbox



NET CAPACITY (257 + 84)



ELECTRICITY CONSUMPTION



LED lighting



Nsave

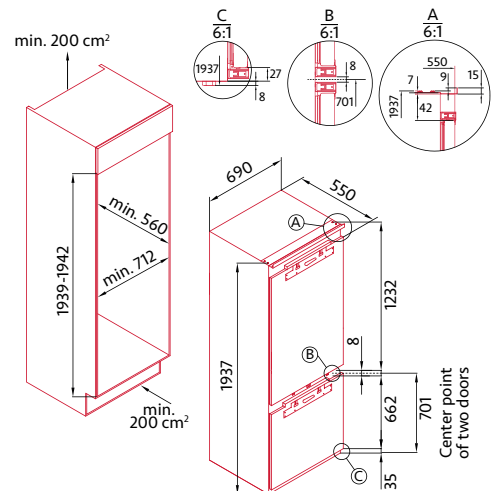
Finishes



NorFrost HAIL 193 TNF BI 70



Dimensions Diagrams





COMBI BUILT-IN FRIDGE FREEZER

NorFrost HAIL 193 TNF BI SL

NEW

Models

NorFrost HAIL 193 TNF BI SL Code: 4210 EAN: 8422248349703

- TOTAL No-Frost built-in combi fridge freezer of 1.94 m, with internal metal finishes
- Ndualzone No-Frost technology in refrigerator and freezer
- Electronic temperature adjustment
- Nfreshzone system that efficiently and stably distributes the cold
- Nchilly function in refrigerator and Nsubzero in freezer
- Automatic refrigerator and freezer defrost
- Nsave function
- Refrigerator: 1 Nlifebox drawer and 1 Ngreenbox drawer
- Freezer: 3 large drawers
- Ice cube trays / Sliding door / Reversible doors



ENERGY EFFICIENCY



NorFrost



Ndualzone



Electronic control with LED



Nchilly Nsubzero



Nlifebox



Ngreenbox



NET CAPACITY (225 + 56)



ELECTRICITY CONSUMPTION



LED lighting



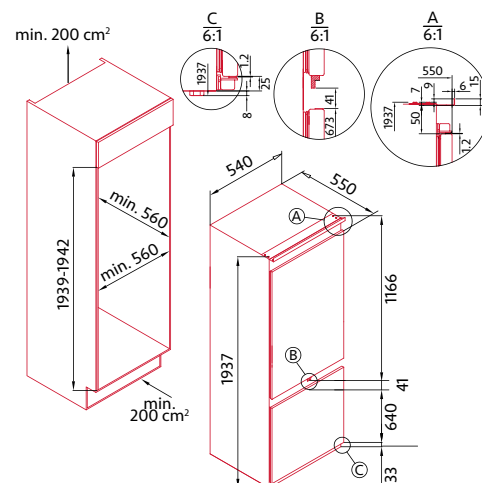
Nsave

Finishes



NorFrost HAIL 193 TNF BI SL

Dimensions Diagrams





COMBI BUILT-IN FRIDGE FREEZER

NorFrost HAIL TNF 177 BI

NEW

Models

NorFrost HAIL TNF 177 BI Code: 8579 EAN: 8435025785793

- TOTAL No-Frost built-in combi fridge freezer of 1.77 m, with internal metal finishes
- Ndualzone No-Frost technology in refrigerator and freezer
- Electronic temperature adjustment
- Nfreshzone system that efficiently and stably distributes the cold
- Nchilly function in refrigerator and Nsubzero in freezer
- Automatic refrigerator and freezer defrost
- Nsave function
- Refrigerator: 1 Ngreenbox drawer / Freezer: 3 large drawers
- Ice cube trays / Sliding door / Reversible doors



ENERGY EFFICIENCY



NorFrost



Ndualzone



Electronic control with LED



Nchilly Nsubzero



Ngreenbox



NET CAPACITY (178 + 68)



ELECTRICITY CONSUMPTION



LED lighting



Nsave

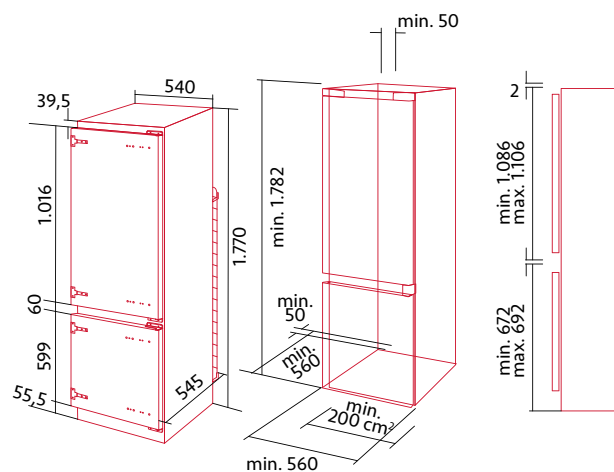
Finishes



NorFrost HAIL TNF 177 BI



Dimensions Diagrams





COMBI BUILT-IN FRIDGE FREEZER

NorFrost HAIL 177 TNF BI SL

- TOTAL No-Frost built-in combi fridge freezer of 1.77 m, with internal metal finishes
- Ndualzone No-Frost technology in refrigerator and freezer
- Electronic temperature adjustment
- Nfreshzone system that efficiently and stably distributes the cold
- Nchilly function in refrigerator and Nsubzero in freezer
- Automatic refrigerator and freezer defrost
- Refrigerator: 1 Nlifebox drawer and 1 Ngreenbox drawer
- Freezer: 3 large drawers
- Ice cube trays / Sliding door / Reversible doors

Models

NorFrost HAIL 177 TNF BI SL Code: 4211 EAN: 8422248349727



ENERGY EFFICIENCY



NorFrost



Ndualzone



Electronic control with LED



Nchilly Nsubzero



Nlifebox



Ngreenbox



NET CAPACITY (170 + 67)



ELECTRICITY CONSUMPTION



LED lighting



Nsave

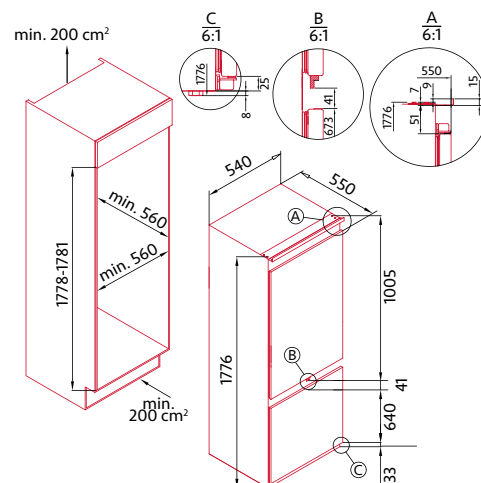
Finishes



NorFrost HAIL 177 TNF BI SL



Dimensions Diagrams





COMBI BUILT-IN FRIDGE FREEZER

NorFrost HAIL 82 BI SL

NEW

Models

NorFrost HAIL 82 BI SL

Code: 4209

EAN: 8422248349697

- TOTAL built-in combi fridge freezer of 0.82 m
- Electronic temperature adjustment
- Nfreshzone system that efficiently and stably distributes the cold
- Internal metal finishes
- Refrigerator: 1 Ngreenbox drawer
- Freezer: 1 drawer
- Ice cube trays
- Sliding door
- Reversible doors



ENERGY EFFICIENCY



Ngreenbox



Door open alarm



NET CAPACITY (95 + 16)



ELECTRICITY CONSUMPTION



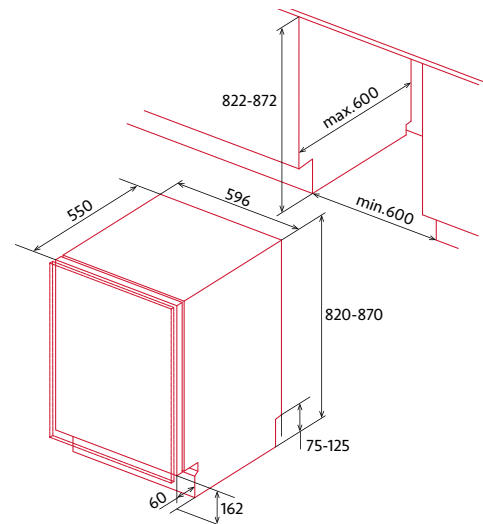
LED lighting

Finishes

Dimensions Diagrams



NorFrost HAIL 82 BI SL





BUILT-IN REFRIGERATOR

NorFrost TUNDRA 82 BI

NEW

Models

NorFrost TUNDRA 82 BI Code: 4207 EAN: 8422248343954

- TOTAL No-Frost built-in combi refrigerator of 0.82 m
- Electronic temperature adjustment
- Nfreshzone system that efficiently and stably distributes the cold
- Automatic freezer defrost
- Refrigerator: 1 Ngreenbox drawer
- Reversible doors



ENERGY EFFICIENCY



Ngreenbox



Norfrost



NET CAPACITY



ELECTRICITY CONSUMPTION



LED lighting

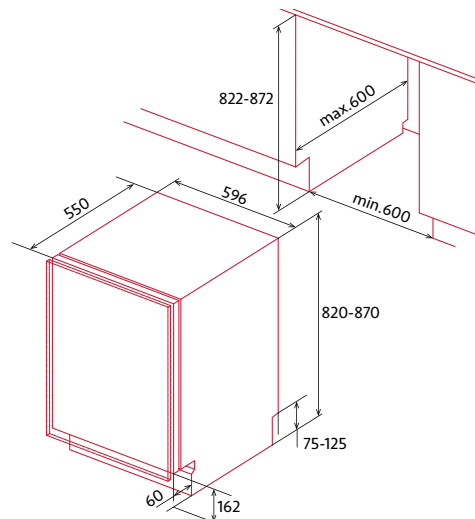
Finishes



NorFrost TUNDRA 82 BI



Dimensions Diagrams





BUILT-IN FREEZER

NorFrost ICE 82 BI

NEW

Models

NorFrost ICE 82 BI

Code: 4208 EAN: 8422248343961

- TOTAL built-in combi freezer of 0.82 m
- Electronic temperature adjustment
- Nfreshzone system that efficiently and stably distributes the cold
- Internal metal finishes
- Nsubzero function
- Freezer: 3 drawers
- Ice cube trays
- Reversible doors



ENERGY EFFICIENCY



Nsubzero function



Door open alarm



NET CAPACITY



ELECTRICITY CONSUMPTION

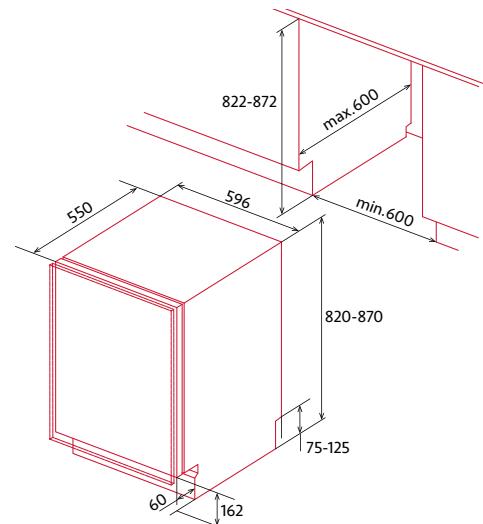
Finishes



NorFrost ICE 82 BI



Dimensions Diagrams





BUILT-IN DISHWASHER

Norcare DW 6145 I PRO

NEW

Models

Norcare DW 6145 I PRO Code: 8711 EAN: 8422248110792

- Built-in dishwasher of 60 cm with capacity for 16 place settings
- N3protect. Triple safety system: overheating, anti-overflow and water leaks
- Special programmes: Nclean, Nhygiene, Nwhisper and Nself-cleaning
- Functions: Delayed programming of up to 24 hours. Nby2, half-load and option of dish reload
- Display with: Indicator for temperature, water consumption, electricity consumption, delayed programming of up to 24 hours, time remaining, programme selected, salt, polish and functions selected
- Third rack. Top and bottom racks with foldable supports
- Bottle washing function / Turbo dry and Turbo wash



ENERGY EFFICIENCY



CONSUMPTION PER CYCLE



NOISE LEVEL



N3protect



PROGRAMMES



3-IN-1 LIQUID DETERGENT GEL



NPUSH



NSLIDER



LED DISPLAY



BEAM ON FLOOR



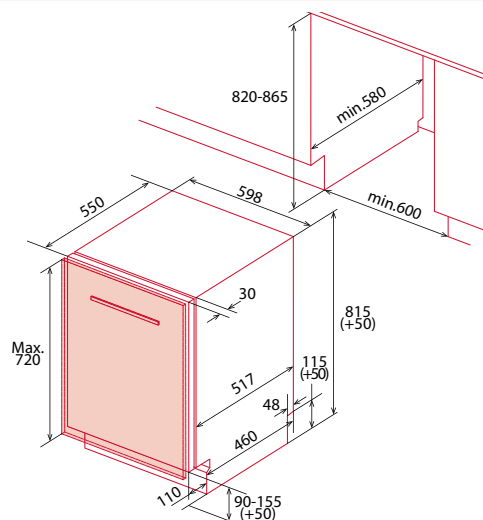
AUTOMATIC OPENING

Finishes



Norcare DW 6145 I PRO

Dimensions Diagrams





BUILT-IN DISHWASHER

NorCare DW6141 I SL

- Built-in dishwasher of 60 cm with capacity for 14 place settings
- N3protect. Triple safety system: overheating, anti-overflow and water leaks
- Special programmes: Nquick+, Ncare and Nfresh
- Functions: Delayed programming of up to 24 hours. Nby2, half-load and option of dish reload
- Display with: Indicator for delayed programming of up to 24 hours, time remaining, programme selected, salt, polish and functions selected
- Third rack. Top and bottom racks with foldable supports

Models

NorCare DW6141 I SL

Code: 8709

EAN: 8435025787094



ENERGY EFFICIENCY



CONSUMPTION PER CYCLE



NOISE LEVEL



N3protect



PROGRAMMES



3-IN-1 LIQUID DETERGENT GEL



NPUSH



NSLIDER



LED DISPLAY



NMOVE



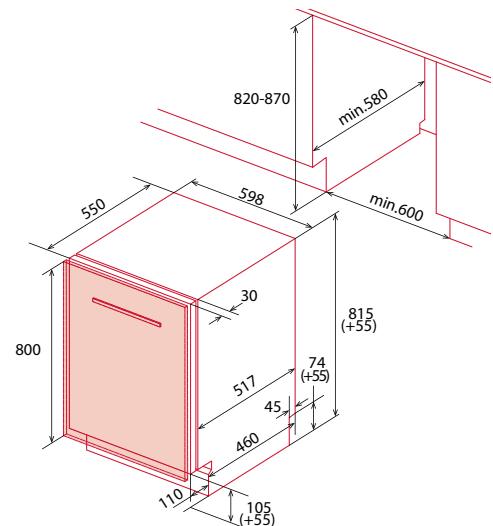
AUTOMATIC OPENING

Finishes



NorCare DW6141 I SL

Dimensions Diagrams





BUILT-IN DISHWASHER

NorCare DW4611 I SL

- Built-in dishwasher of 45 cm with capacity for 10 place settings
- N3protect. Triple safety system: overheating, anti-overflow and water leaks
- Special programmes: Nclean, Nquick+ and Ncare
- Functions: Delayed programming of up to 24 hours. Nby2, half-load and option of dish reload
- Display with: Indicator for delayed programming of up to 24 hours, time remaining, programme selected, salt, polish and functions selected
- Third rack. Top and bottom racks with foldable supports
- Turbo dry



ENERGY EFFICIENCY



CONSUMPTION PER CYCLE



NOISE LEVEL



N3protect



PROGRAMMES



3-IN-1 LIQUID DETERGENT GEL



NPUSH



NSLIDER



LED DISPLAY



NMOVE

Finishes



NorCare DW4611 I SL

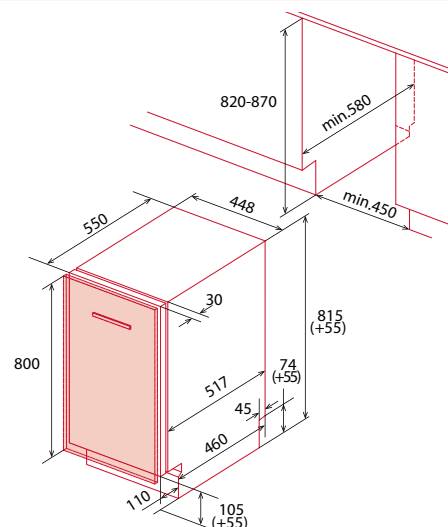
Models

NorCare DW4611 I SL

Code: 8710

EAN: 8435025787100

Dimensions Diagrams





BUILT-IN WASHING-DRYER MACHINE

NorCare WD1480 I

- Built-in, front-loading washing-dryer machine, with wash capacity of 1 to 8 kg, drying capacity of 1 to 6 kg
- Silence Inverter. Condensation drying system
- Nsensor. Variable consumption depending on load and detergent excess
- Independent temperature and centrifuging speed selectors
- Display with: delayed programming of up to 24 hours, duration and time remaining for programme
- Special programmes: Nquick 60', Nspecial: mixed, baby clothes, jeans, sports clothes and customised programmes
- Options: select delay of up to 24 hours and select degrees for drying



WASHING MACHINE ENERGY EFFICIENCY



DRYER ENERGY EFFICIENCY



WASHING CAPACITY



DRYING CAPACITY



REVERSING SYSTEM



MAXIMUM CENTRIFUGING SPEED



NCHILD



DOOR LOCK



WASHING PROGRAMMES



LED DISPLAY

Finishes



NorCare WD1480 I

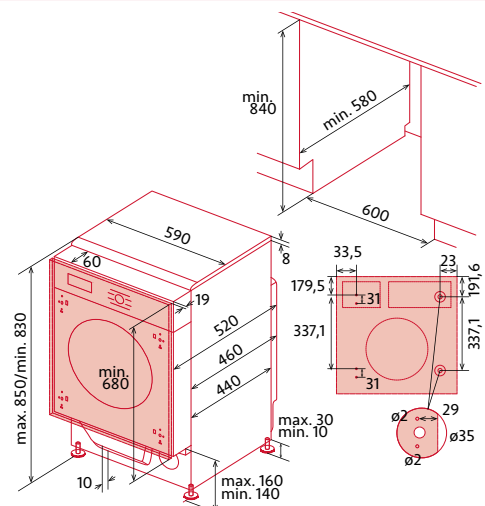
Models

NorCare WD1480 I

Code: 4198

EAN: 8435025741980

Dimensions Diagrams





BUILT-IN WASHING MACHINE

NorCare WM1491 I

NEW

Models

NorCare WM 1491 I

Code: 4173

EAN: 8422248360319

- Built-in, front-loading washing machine with capacity of 1 to 8 kg
- Silence Inverter
- Independent temperature and centrifuging speed selectors
- Display with: delayed programming of up to 24 hours, duration and time remaining for programme
- Special programmes: Nquick+. Nspecial: mixed, baby clothes, jeans, sports clothes and customised programmes
- Options: delayed programming of up to 24 hours, pre-wash and extra rinse



ENERGY EFFICIENCY



WASHING CAPACITY



MAXIMUM CENTRIFUGING SPEED



NCHILD



DOOR LOCK



WASHING PROGRAMMES



LED DISPLAY



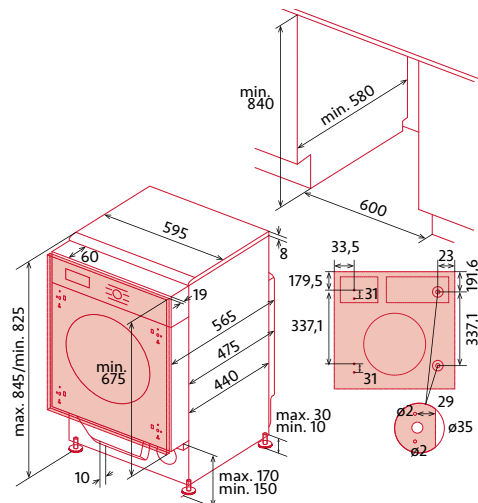
STEAM

Finishes



NorCare WM1480 I

Dimensions Diagrams







WINE COOLERS



WINE COOLERS

Nodor's wine coolers will fit in perfectly with your kitchen thanks to their stylish design with a stainless steel external finish and a wooden interior. You'll forget you have a wine cooler, so perfectly do they integrate and thanks to their low noise level of up to 39 dB. A wine cooler is the perfect way to store wine and prevent vibrations.

Nodor's new wine coolers are practical thanks to their reversible doors, meaning you can install them in any position. Access to your wine is simple and convenient via sliding racks.

The wine cooler range offers an extensive variety of options that can be installed in kitchen units. They range from compact options of 45 cm to those for column installation in sizes of 45 cm or 60 cm.

Their interior LED lighting (installed in all models) offers this appliance a touch of elegance). It will also protect your wine, as this form of light doesn't emit infrared or ultraviolet rays, thus preventing the appearance of light-struck taste in wine.



WINE COOLERS



NORFROST

All wine coolers in Nodor's new range featuring Norfrost technology prevent ice from forming on their walls, thereby facilitating maintenance and cleaning tasks while also ensuring improved wine storage and a longer useful life for the appliance.



NORTEMP

The temperature control system (in any of the different spaces) allows you to have precise, constant control over the temperature inside the entire wine cooler. According to your tastes and needs you'll be able to simply control the temperature. With up to two different layered temperature areas for improved wine storage. 11-13°C white wine, 5-11°C champagne, 14-22°C red wine.



NSAVOR

Nodor's wine coolers have an electronic touch control that enables you to select the temperature easily and conveniently to achieve the perfect temperature for serving your favourite wine.



NPROTECT

Since an investment in a good wine means you can't store it just any old way, Nodor's wine coolers offer unbeatable storage conditions that combat wine's old enemies, including vibrations and ultraviolet rays.



NPUREAIR

Thanks to their air purification system via their carbon filter, you'll prevent bad ambient odours, intense aromas and the bacteria that contaminate the flavour and scent of your wines, or destroy their corks.



WINE COOLERS



NEW

COMPACT WINE COOLER

NorCare VC 4600 MB

COD 4153 EAN 8422248348386

P. 114



NEW

COMPACT WINE COOLER

NorCare VC 4600 SS

COD 4157 EAN 8422248348461

P. 114



NEW

COMPACT WINE COOLER

NorCare VC 4600 DB

COD 4151 EAN 8422248348225

P. 114



NEW

COMPACT WINE COOLER

NorCare VC 4600 SW

COD 4155 EAN 8422248348300

P. 114



COMPACT WINE COOLER

NorCare VC 4800 DB /A

COD 4184 EAN 8435025741843

P. 115



NEW

COMPACT WINE COOLER

NorChef VC 4800 SW

COD 4185 EAN 8422248111294

P. 115



BUILT-IN WINE COOLER

NorCare V36 BK

COD 4191 EAN 8422248101820

P. 116



BUILT-IN WINE COOLER

NorCare V28BK

COD 4190 EAN 8422248101813

P. 117



COMPACT WINE COOLER

NorCare VC 4600

NEW

- No-frost wine cooler for column installation
- No-Frost technology
- Electronic temperature adjustment between 5-20°C
- 1 temperature zone
- Wooden racks
- Internal LED
- 4 storage levels
- Npureair. Air purification via carbon filter



ENERGY EFFICIENCY



TOUCH CONTROLS



CAPACITY



NPUREAIR



LED DISPLAY



METAL HANDLE

Finishes



NorCare VC 4600 MB - matte black steel



NorCare VC 4600 SS - stainless steel



NorCare VC 4600 DB - black glass

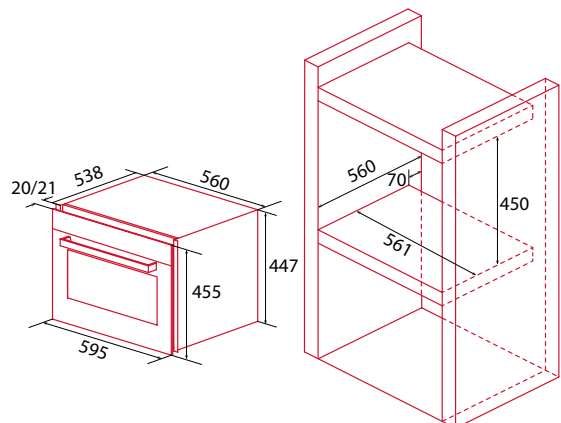


NorCare VC 4600 SW - white glass

Models

| | | |
|---------------------------|-------------------|---------------------------|
| NorCare VC 4600 MB | Code: 4153 | EAN: 8422248348386 |
| NorCare VC 4600 SS | Code: 4157 | EAN: 8422248348461 |
| NorCare VC 4600 DB | Code: 4151 | EAN: 8422248348225 |
| NorCare VC 4600 SW | Code: 4155 | EAN: 8422248348300 |

Dimensions Diagrams





COMPACT WINE COOLER

NorCare VC 4800

- No-frost wine cooler for column installation
- No-Frost technology
- Electronic temperature adjustment between 5-20°C
- Pull-down door with soft-open/close system
- Wooden racks
- Internal LED
- 4 storage levels



ENERGY
EFFICIENCY



TOUCH CONTROLS



CAPACITY



SOFTCLOSE



LED DISPLAY



METAL
HANDLE

Finishes



NorCare VC 4800 DB



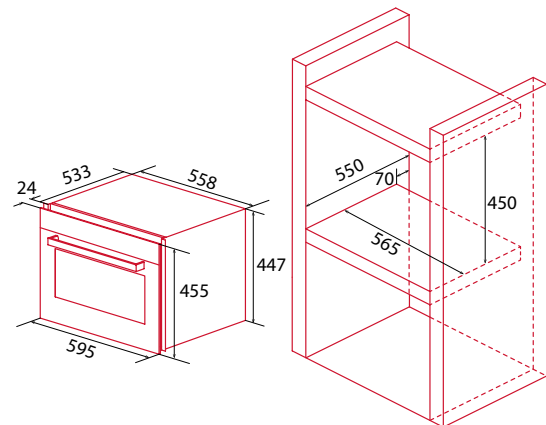
NorChef VC 4800 SW

Models

NorCare VC 4800 DB Code: 4184 EAN: 8435025741843

NEW NorChef VC 4800 SW Code: 4185 EAN: 8422248111294

Dimensions Diagrams





BUILT-IN WINE COOLER

NorCare V36 BK

- No-frost wine cooler for column installation
- No-Frost technology
- Electronic temperature adjustment between 5-22°C
- 2 independent temperature zones
- Wooden racks
- Internal LED
- 4 storage levels



ENERGY EFFICIENCY



ELECTRONIC TOUCH CONTROL



METAL HANDLE



LED DISPLAY



CAPACITY



REVERSIBLE DOOR

Finishes



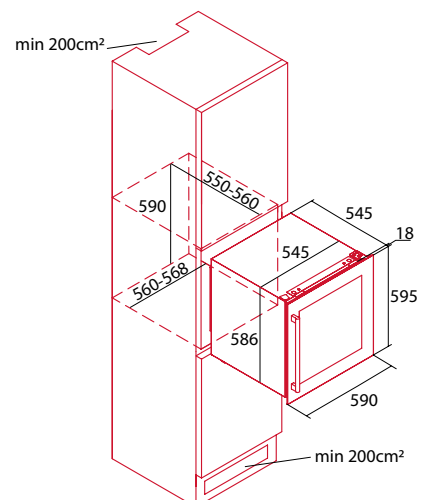
NorCare V36 BK

Models

NorCare V36 BK

Code: 4191 EAN: 8422248101820

Dimensions Diagrams





BUILT-IN WINE COOLER

NorCare V28BK

- No-frost wine cooler for column installation
- No-Frost technology
- Electronic temperature adjustment between 5-20°C
- 1 temperature zone
- Wooden racks
- Internal LED
- 3 storage levels



ELECTRONIC TOUCH CONTROL



METAL HANDLE



LED DISPLAY



CAPACITY



REVERSIBLE DOOR

Finishes



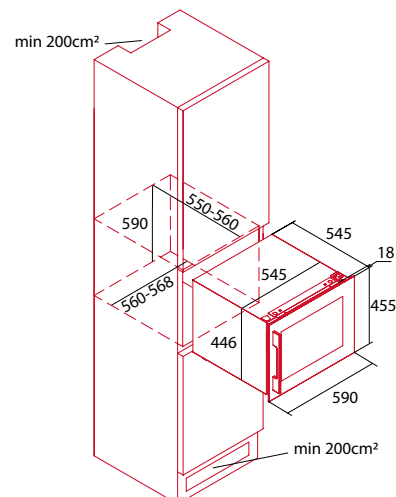
NorCare V28BK

Models

NorCare V28BK

Code: 4190 EAN: 8422248101813

Dimensions Diagrams





TAPS&SINKS







TAPS AND SINKS

In addition to offering different models, sizes and aesthetics, **Nodor** has designed a **full range of taps** where you will find the right solution for your kitchen that best suits your aesthetic and functional requirements.

All Nodor taps (as is the case with all other ranges the brand markets) are subject to strict quality testing and follow the highest standards, which set Nodor apart in the market in terms of reliability and maximum durability. Nodor only uses top-quality materials and finishes, while never neglecting design.

This extensive range offers stainless steel models with low and high spouts, with lever customisation options to suit different kitchen settings.

In its catalogue Nodor features taps in a new stainless steel series with premium quality finishes, while you will also find taps with removable spouts, offering the versatility and functionality that best adapts to your needs.

The result of advanced engineering with a notable focus on design is a **range of sinks worthy of even the most ambitious of kitchens.**

Using innovative technology together with high-quality raw materials, Nodor presents NorGranite, a collection of sinks destined to be the star of the show.

The basis of our sinks is quartz, the hardest part of granite. We mould our quartz with high-quality acrylic resin via a special smelting process controlled by computer. The result is a hardened composite material that is resistant to scratches, dents, stains, heat and cracks.

Thanks to this characteristic, our quartz composite sinks last almost a lifetime.

They are available with or without a drainboard, with one or two basins, or with an auxiliary basin. They come in a wide variety of colours, design shapes and sizes.

Different installation options are available (undermount or top-mount), which are very simple to do, with the sink left perfectly fixed thanks to its attachment clips.

Some of our models are design to personalise tap placement with a lip at the rear that makes it simple to create the hole for the tap, without noticing this on the sink's visible parts.

The details make all the difference. Smooth finishes, profiles precisely rounded to the millimetre, perfect edges, personalised overflows, practical drains and an endless number of unique features make a huge difference on the naked eye.

We're fully committed to caring for our planet. We believe in responsible, sustainable development while complying with all management system standards and international certifications.

This commitment entails pinpointing more sustainable production methods and investing in resource-saving technology to promote manufacturing.

Their practical design, overflow integration, broad range of installation options, marked angles between surfaces and 10 mm edges that facilitate cleaning make the new NorAce sinks in stainless steel the perfect tool for integrating a sink in a kitchen.

Their three installation types offer your kitchen a wide selection of possibilities. Practical undermount installation will facilitate cleaning since there will be no obstacles between your sink and the worktop surface. Elegant flush-mount installation will create a contrast between the worktop and the sink's stainless steel trim, which is also easy to clean. Lastly, the most widely used installation type is top-mount, which will allow you to enhance your sink's visual impact.

Sinks in stainless steel AISI 304 maintain their unaltered appearance thanks to their resistance to oxidation, practically guaranteeing they will last for life. Their 1 mm thickness and satin finish make them resistant to accidental blows and scratches during daily use.

Their attractive hidden valve increases their beauty by remaining perfectly integrated with the drain's surface. Furthermore, you can customise the hidden valve with the same colour as your Nodor tap.

TAPS AND SINKS



Heat resistant up to 280°C.



Resistant to stains, scratches, dents and cracks.



Sharp, lasting colours.



Easy to clean.



Resistant to abrasive products.

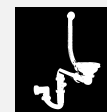
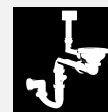


100% non-porous, hygienic and bacteria-resistant.



Safe in contact with food.

All necessary accessories included. Drain with independent basket, customised overflow and attachment clips (undermount and top-mount).



TAPS & SINKS



MIXER TAP

NorFlow BLACKBIRD BK

COD 4095 EAN 8435025740952

P. 124



MIXER TAP

NorFlow BLACKBIRD WH

COD 4096 EAN 8435025740969

P. 124



MIXER TAP

NorFlow ROBIN BK

COD 4098 EAN 8435025740983

P. 125



MIXER TAP

NorFlow ROBIN SS

COD 4099 EAN 8435025740990

P. 125



MIXER TAP

NorFlow ROBIN CU

COD 4100 EAN 8435025741003

P. 125



NEW

MIXER TAP

NorFlow HERON CHROME

COD 4134 EAN 8435025741348

P. 126



NEW

MIXER TAP

NorFlow HERON WHITE

COD 4135 EAN 8435025741355

P. 126



NEW

MIXER TAP

NorFlow HERON BLACK

COD 4136 EAN 8435025741362

P. 126



GRANITE SINK

NorGranite 78.50 1B 1D BK

COD 4058 EAN 8435025740587

P. 128



GRANITE SINK

NorGranite 78.50 1B 1D WH

COD 4060 EAN 8435025740600

P. 128



GRANITE SINK

NorGranite 78.50 1B 1D BG

COD 4059 EAN 8435025740594

P. 128



GRANITE SINK

NorGranite 78.50 1B BK

COD 4079 EAN 8435025740792

P. 129



GRANITE SINK

NorGranite 78.50 1B WH

COD 4081 EAN 8435025740815

P. 129



GRANITE SINK

NorGranite 78.50 1B BG

COD 4080 EAN 8435025740808

P. 129



GRANITE SINK

NorGranite 55.40 1B BK

COD 4085 EAN 8435025740853

P. 130



GRANITE SINK

NorGranite 55.40 1B WH

COD 4087 EAN 8435025740877

P. 130

TAPS & SINKS



GRANITE SINK

NorGranite 55.40 1B BG

COD 4086 EAN 8435025740860

P. 130



GRANITE SINK

NorGranite 45 40 1B BK

COD 4082 EAN 8435025740822

P. 131



GRANITE SINK

NorGranite 45 40 1B WH

COD 4084 EAN 8435025740846

P. 131



GRANITE SINK

NorGranite 45 40 1B BG

COD 4083 EAN 8435025740839

P. 131



GRANITE SINK

NorGranite 40.40 1B BK

COD 4088 EAN 8435025740884

P. 132



GRANITE SINK

NorGranite 40.40 1B WH

COD 4090 EAN 8435025740907

P. 132



GRANITE SINK

NorGranite 40.40 1B BG

COD 4089 EAN 8435025740891

P. 132



STAINLESS STEEL SINK

NorAce 70.40 1C R10 CP

COD 4093 EAN 8435025740938

P. 133



STAINLESS STEEL SINK

NorAce 50.40 1C R10 CP

COD 4091 EAN 8435025740914

P. 134



STAINLESS STEEL SINK

NorAce 45.40 1C R10 CP

COD 4092 EAN 8435025740921

P. 135



STAINLESS STEEL SINK

NorAce 40.40 1C R10 CP

COD 4094 EAN 8435025740945

P. 136



TAP

NorFlow BLACKBIRD

- Mixer tap in stainless steel 304 with satin finish
- High semi-professional spout with curve, removable and rotates 360°
- Handle-style lever, positioned on the right side of the tap
- Aerator function for more efficient rinsing
- Shower function
- Ceramic cartridge included
- Flexible connection tubes included
- Dimensions (height x width x depth): 535 x 100 x 265 mm

Models

| | | |
|-----------------------------|-------------------|---------------------------|
| NorFlow BLACKBIRD BK | Code: 4095 | EAN: 8435025740952 |
| NorFlow BLACKBIRD WH | Code: 4096 | EAN: 8435025740969 |

Finishes

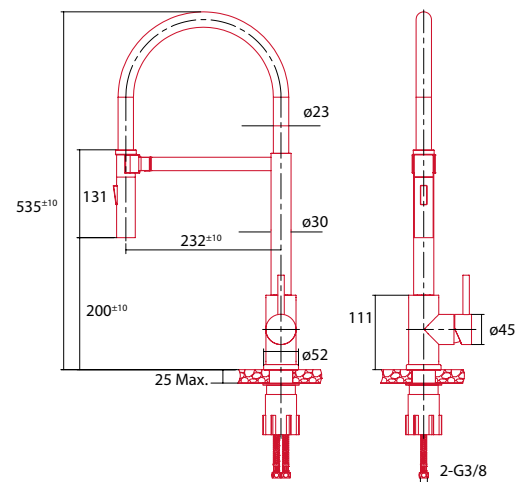


NorFlow BLACKBIRD BK



NorFlow BLACKBIRD WH

Dimensions Diagrams





TAP

NorFlow ROBIN

- Mixer tap in stainless steel 304 with satin finish
- High spout with L-shape, rotates 360°
- Handle-style lever, positioned on the right side of the tap
- Aerator function for more efficient rinsing
- Ceramic cartridge included
- Flexible connection tubes included
- Dimensions (height x width x depth): 280 x 265 x 100 mm

Models

| | | |
|-------------------------|-------------------|---------------------------|
| NorFlow ROBIN BK | Code: 4098 | EAN: 8435025740983 |
| NorFlow ROBIN SS | Code: 4099 | EAN: 8435025740990 |
| NorFlow ROBIN CU | Code: 4100 | EAN: 8435025741003 |

Finishes



NorFlow ROBIN BK

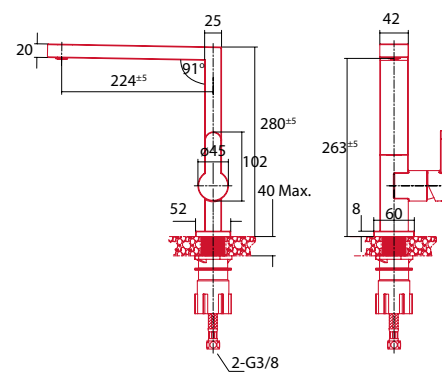


NorFlow ROBIN SS



NorFlow ROBIN CU

Dimensions Diagrams





TAP

NorFlow HERON

NEW

- Mixer tap
- High spout, rotates 360°
- Handle-style lever, positioned on the right side of the tap
- Cold start
- Ceramic cartridge included
- Flexible connection tubes included
- Dimensions (height x width x depth): 390 x 265 x 100 mm

Models

NorFlow HERON CHROME Code: 4134 EAN: 8435025741348

NorFlow HERON WHITE Code: 4135 EAN: 8435025741355

NorFlow HERON BLACK Code: 4136 EAN: 8435025741362

Finishes



NorFlow HERON CHROME

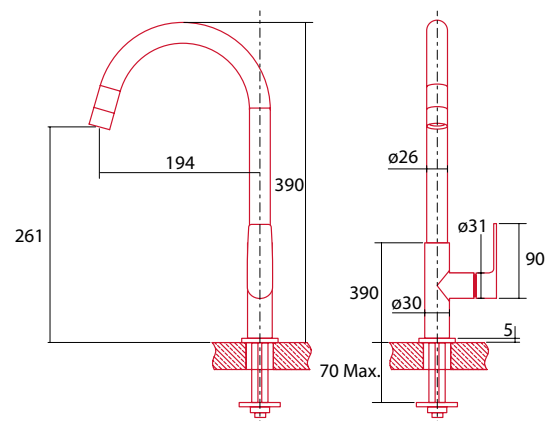


NorFlow HERON WHITE



NorFlow HERON BLACK

Dimensions Diagrams







GRANITE SINK

NorGranite 78.50 1B 1D

- Granite top-mount sink
- 1 rectangular basin
- Sink with mark for tap orifice
- Drain with round basket valve 3 1/2"
- Accessories included: round valves, tap plugs, siphon and overflow tube



TOP-MOUNT
INSTALLATION



BASIN DEPTH



FOR UNIT
OF 50 CM



REVERSIBLE

Finishes



NorGranite 78.50 1B 1D BK



NorGranite 78.50 1B 1D WH



NorGranite 78.50 1B 1D BG

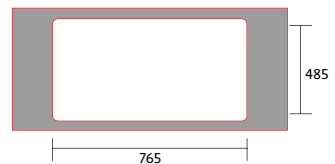
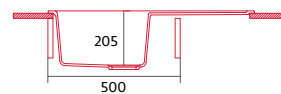
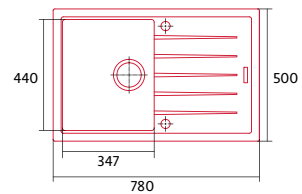
Models

NorGranite 78.50 1B 1D BK Code: 4058 EAN: 8435025740587

NorGranite 78.50 1B 1D WH Code: 4060 EAN: 8435025740600

NorGranite 78.50 1B 1D BG Code: 4059 EAN: 8435025740594

Dimensions Diagrams





GRANITE SINK

NorGranite 78.50 1B

- Granite top-mount sink
- 1 rectangular basin
- Sink with mark for tap orifice
- Drain with round basket valve 3 1/2"
- Accessories included: round valves, tap plugs, siphon and overflow tube

Models

NorGranite 78.50 1B BK Code: 4079 EAN: 8435025740792

NorGranite 78.50 1B WH Code: 4081 EAN: 8435025740815

NorGranite 78.50 1B BG Code: 4080 EAN: 8435025740808



TOP-MOUNT
INSTALLATION



BASIN DEPTH



FOR UNIT
OF 80 CM

Finishes



NorGranite 78.50 1B BK

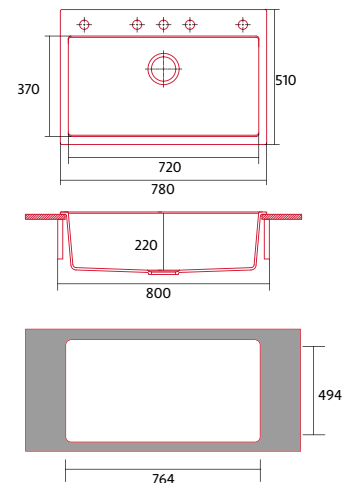


NorGranite 78.50 1B WH



NorGranite 78.50 1B BG

Dimensions Diagrams





GRANITE SINK

NorGranite 55.40 1B

- Granite top-mount/undermount sink
- 1 rectangular basin
- Drain with square basket valve 3 1/2"
- Accessories included: round valves, tap plugs, siphon and overflow tube

Models

NorGranite 55.40 1B BK Code: 4085 EAN: 8435025740853

NorGranite 55.40 1B WH Code: 4087 EAN: 8435025740877

NorGranite 55.40 1B BG Code: 4086 EAN: 8435025740860



TOP-MOUNT
INSTALLATION



UNDERMOUNT
INSTALLATION



BASIN DEPTH



FOR UNIT
OF 70 CM

Finishes



NorGranite 55.40 1B BK

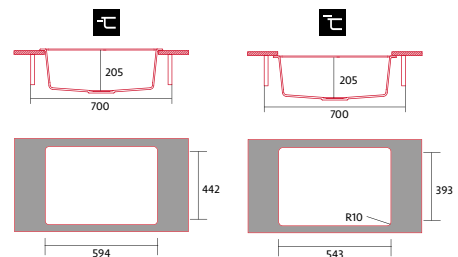
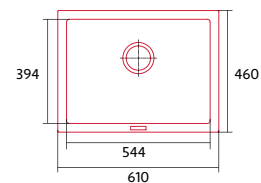


NorGranite 55.40 1B WH



NorGranite 55.40 1B BG

Dimensions Diagrams





GRANITE SINK

NorGranite 45 40 1B

- Granite top-mount/undermount sink
- 1 rectangular basin
- Drain with square basket valve 3 1/2"
- Accessories included: round valves, tap plugs, siphon and overflow tube

Models

NorGranite 45 40 1B BK Code: 4082 EAN: 8435025740822

NorGranite 45 40 1B WH Code: 4084 EAN: 8435025740846

NorGranite 45 40 1B BG Code: 4083 EAN: 8435025740839



TOP-MOUNT
INSTALLATION



UNDERMOUNT
INSTALLATION



BASIN DEPTH



FOR UNIT
OF 60 CM

Finishes



NorGranite 45 40 1B BK

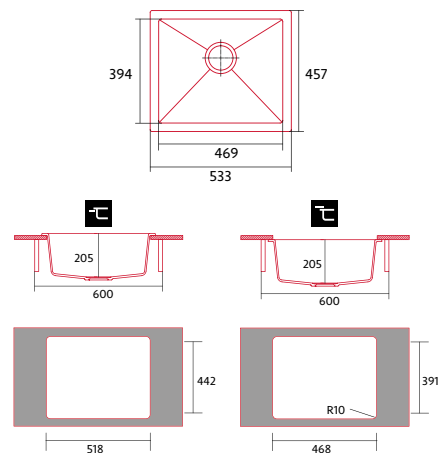


NorGranite 45 40 1B WH



NorGranite 45 40 1B BG

Dimensions Diagrams





GRANITE SINK

NorGranite 40.40 1B

- Granite top-mount/undermount sink
- 1 rectangular basin
- Drain with square basket valve 3 1/2"
- Accessories included: round valves, tap plugs, siphon and overflow tube

Models

NorGranite 40.40 1B BK Code: 4088 EAN: 8435025740884

NorGranite 40.40 1B WH Code: 4090 EAN: 8435025740907

NorGranite 40.40 1B BG Code: 4089 EAN: 8435025740891



TOP-MOUNT
INSTALLATION



UNDERMOUNT
INSTALLATION



BASIN DEPTH



FOR UNIT
OF 50 CM

Finishes



NorGranite 40.40 1B BK

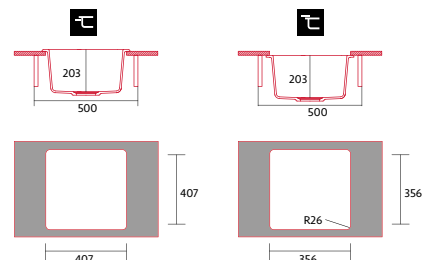
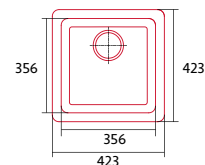


NorGranite 40.40 1B WH



NorGranite 40.40 1B BG

Dimensions Diagrams





STAINLESS STEEL SINK

NorAce 70.40 1C R10 CP

- Top-mount/undermount sink
- 1 rectangular basin
- Hidden round valve of 3 1/2"
- Accessories included: square valve, siphon and overflow tube

Models

NorAce 70.40 1C R10 CP Code: 4093 EAN: 8435025740938

Accessories

Norace HIDDEN WASTE BK Code: 1318 EAN: 8435025713185

Norace HIDDEN WASTE SS Code: 1319 EAN: 8435025713192

Norace HIDDEN WASTE CU Code: 1320 EAN: 8435025713208



TOP-MOUNT
INSTALLATION



UNDERMOUNT
INSTALLATION



BASIN DEPTH



FOR UNIT
OF 80 CM



RADIUS



Norace HIDDEN WASTE BK

Norace HIDDEN WASTE SS

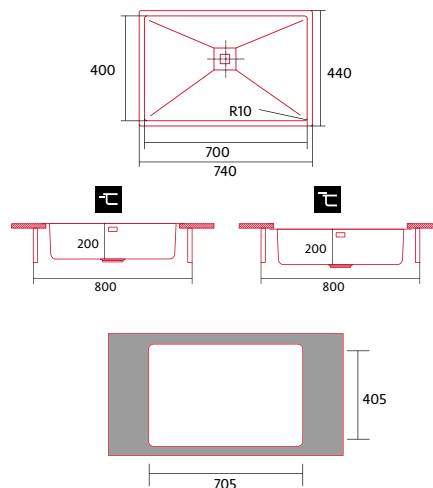
Norace HIDDEN WASTE CU

Finishes



NorAce 70.40 1C R10 CP

Dimensions Diagrams





STAINLESS STEEL SINK

NorAce 50.40 1C R10 CP

- Top-mount/undermount sink
- 1 rectangular basin
- Hidden round valve of 3 1/2"
- Accessories included: square valve, siphon and overflow tube

Models

NorAce 50.40 1C R10 CP Code: 4091 EAN: 8435025740914

Accessories

Norace HIDDEN WASTE BK Code: 1318 EAN: 8435025713185

Norace HIDDEN WASTE SS Code: 1319 EAN: 8435025713192

Norace HIDDEN WASTE CU Code: 1320 EAN: 8435025713208



TOP-MOUNT
INSTALLATION



UNDERMOUNT
INSTALLATION



BASIN DEPTH
20
cm



FOR UNIT
OF 60 CM



RADIUS
R10
mm



Norace HIDDEN WASTE BK

Norace HIDDEN WASTE SS

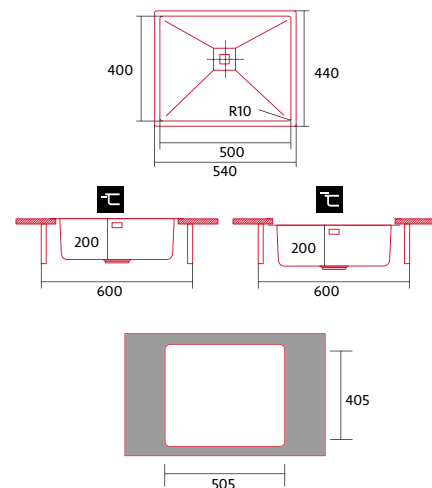
Norace HIDDEN WASTE CU

Finishes



NorAce 50.40 1C R10 CP

Dimensions Diagrams





STAINLESS STEEL SINK

NorAce 45.40 1C R10 CP

- Top-mount/undermount sink
- 1 rectangular basin
- Hidden round valve of 3 1/2"
- Accessories included: square valve, siphon and overflow tube

Models

NorAce 45.40 1C R10 CP Code: 4092 EAN: 8435025740921

Accessories

Norace HIDDEN WASTE BK Code: 1318 EAN: 8435025713185

Norace HIDDEN WASTE SS Code: 1319 EAN: 8435025713192

Norace HIDDEN WASTE CU Code: 1320 EAN: 8435025713208



TOP-MOUNT
INSTALLATION



UNDERMOUNT
INSTALLATION



BASIN DEPTH



FOR UNIT
OF 60 CM



RADIUS



Norace HIDDEN WASTE BK

Norace HIDDEN WASTE SS

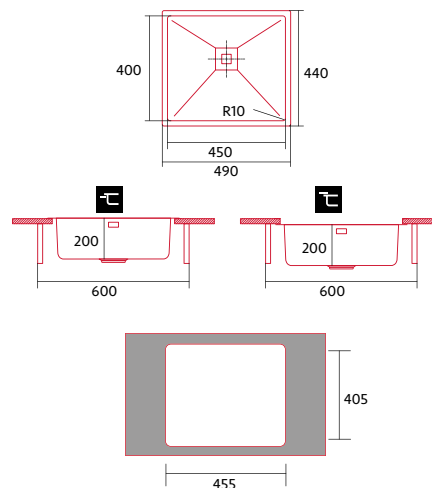
Norace HIDDEN WASTE CU

Finishes



NorAce 45.40 1C R10 CP

Dimensions Diagrams





STAINLESS STEEL SINK

NorAce 40.40 1C R10 CP

- Top-mount/undermount sink
- 1 rectangular basin
- Hidden round valve of 3 1/2"
- Accessories included: square valve, siphon and overflow tube

Models

NorAce 40.40 1C R10 CP Code: 4094 EAN: 8435025740945

Accessories

Norace HIDDEN WASTE BK Code: 1318 EAN: 8435025713185

Norace HIDDEN WASTE SS Code: 1319 EAN: 8435025713192

Norace HIDDEN WASTE CU Code: 1320 EAN: 8435025713208



TOP-MOUNT
INSTALLATION



UNDERMOUNT
INSTALLATION



BASIN DEPTH



FOR UNIT
OF 50 CM



RADIUS



Norace HIDDEN WASTE BK

Norace HIDDEN WASTE SS

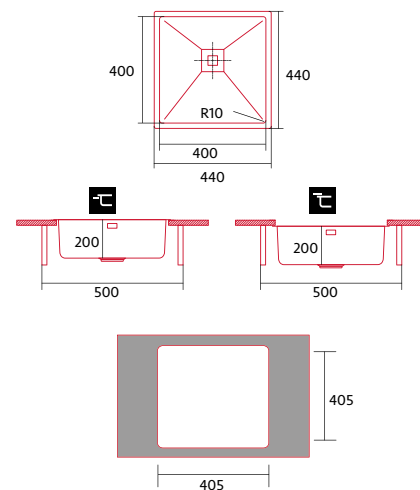
Norace HIDDEN WASTE CU

Finishes



NorAce 40.40 1C R10 CP

Dimensions Diagrams





TECHNICAL INFORMATION

| Code | 2137 | 2153 | 2190 | 2144 |
|--|------------------------------|------------------------------|------------------------------|------------------------------|
| EAN | 8422248348348 | 8422248348423 | 8422248348164 | 8422248348263 |
| Model | NorChef PO 6601 MB | NorChef PO 6601 SS | NorChef PO 6601 DB | NorChef PO 6601 SW |
| Type | Pyrolytic multifunction | Pyrolytic multifunction | Pyrolytic multifunction | Pyrolytic multifunction |
| Product card | | | | |
| Energy efficiency index (conventional/multifunction EEI) | | | | |
| Energy efficiency class | A+ | A+ | A+ | A+ |
| Energy consumption in conventional mode (according to Standard EN 50304:2009) [kWh] | | | | |
| Energy consumption in multifunction mode (according to Standard EN 50304:2009) [kWh] | | | | |
| Number of cavities | 1 | 1 | 1 | 1 |
| Cavity volume [l] | 65 | 65 | 65 | 65 |
| Dimensions | | | | |
| Int. dimensions: height [mm] | 596 | 596 | 596 | 596 |
| Int. dimensions: width [mm] | 595 | 595 | 595 | 595 |
| Int. dimensions: depth [mm] | 560 | 560 | 560 | 560 |
| Int. dimensions: height [mm] | | | | |
| Int. dimensions: width [mm] | | | | |
| Int. dimensions: depth [mm] | | | | |
| Characteristics | | | | |
| Finish | Matte black / black | Black / stainless steel | Black / black | White / stainless steel |
| Soft-close door | Yes | Yes | Yes | Yes |
| Levels for trays | 5 | 5 | 5 | 5 |
| Fan | Yes | Yes | Yes | Yes |
| Number of lamps | 2 | 2 | 2 | 2 |
| Controls | | | | |
| Control type | Mechanical | Mechanical | Mechanical | Mechanical |
| Screen technology | White LCD | White LCD | White LCD | White LCD |
| Operation indicator | Yes | Yes | Yes | Yes |
| Thermostat indicator | Yes | Yes | Yes | Yes |
| Minimum temperature [°C] | 50 | 50 | 50 | 50 |
| Maximum temperature turboheat [°C] | 250 | 250 | 250 | 250 |
| Minimum temperature steam [°C] | No | No | No | No |
| Maximum temperature steam [°C] | No | No | No | No |
| Cleaning | | | | |
| Enamel | Easy-clean PyroNclean enamel | Easy-clean PyroNclean enamel | Easy-clean PyroNclean enamel | Easy-clean PyroNclean enamel |
| Type of cavity / lateral guides | Chrome, removable | Chrome, removable | Chrome, removable | Chrome, removable |
| Door glass interior | Removable | Removable | Removable | Removable |
| Safety lock | | | | |
| Internal light | Yes | Yes | Yes | Yes |
| Fast preheat | | | | |
| Safety | | | | |
| Safety thermostat | Yes | Yes | Yes | Yes |
| Number of glass panels in door | 4 | 4 | 4 | 4 |
| Cooling fan | Yes | Yes | Yes | Yes |
| Electrical connection | | | | |
| Grill power [W] | | | | |
| Microwave power [W] | | | | |
| Upper resistor power [W] | | | | |
| Lower resistor power [W] | | | | |
| Rear resistor power [W] | | | | |
| Total mains power [W] | 3350 | 3350 | 3350 | 3350 |
| Nominal voltage [V] / Mains frequency [Hz] | 220-240 / 50-60 | 220-240 / 50-60 | 220-240 / 50-60 | 220-240 / 50-60 |
| Oven light power [W] | 40 | 40 | 40 | 40 |
| Plug | No | No | No | No |
| Accessories | | | | |
| Flat tray | - | - | - | - |
| Deep tray | 1 | 1 | 1 | 1 |
| Perforated tray | - | - | - | - |
| Rack | 1 | 1 | 1 | 1 |
| Internal grill | - | - | - | - |
| Telescopic runners | 1 | 1 | 1 | 1 |
| Telescopic guides | 60% | 60% | 60% | 60% |
| Tray handle | - | - | - | - |
| Water tank [l] | No | No | No | No |

| 2114 | 2118 | 2124 | 2138 | 2154 | 2131 | 2145 |
|--------------------------|--------------------------|--------------------------|------------------------------|------------------------------|------------------------------|------------------------------|
| 8435025721142 | 8435025721180 | 8435025721241 | 8422248348355 | 8422248348430 | 8422248348171 | 8422248348270 |
| NorChef MO 6800 DB | NorChef MO 6800 SW | NorChef MO 6800 CU | NorChef MO 6600 MB | NorChef MO 6600 SS | NorChef MO 6600 DB | NorChef MO 6600 SW |
| Multifunction | Multifunction | Multifunction | Multifunction | Multifunction | Multifunction | Multifunction |
| 95 | 95 | 95 | | | | |
| A | A | A | A | A | A | A |
| 0.86 | 0.86 | 0.86 | | | | |
| 0.79 | 0.79 | 0.79 | | | | |
| 1 | 1 | 1 | 1 | 1 | 1 | 1 |
| 67 | 67 | 67 | 65 | 65 | 65 | 65 |
| 595 | 595 | 595 | 596 | 596 | 596 | 596 |
| 595 | 595 | 595 | 595 | 595 | 595 | 595 |
| 550 | 550 | 550 | 560 | 560 | 560 | 560 |
| 488 | 488 | 488 | | | | |
| 415 | 415 | 415 | | | | |
| 330 | 330 | 330 | | | | |
| Black / chrome | White / chrome | Black / copper | Matte black / black | Black / stainless steel | Black / black | White / stainless steel |
| Yes | Yes | Yes | Yes | Yes | Yes | Yes |
| 5 | 5 | 5 | 5 | 5 | 5 | 5 |
| Yes | Yes | Yes | Yes | Yes | Yes | Yes |
| 1 | 1 | 1 | 1 | 1 | 1 | 1 |
| Touch | Touch | Touch | Mechanical | Mechanical | Mechanical | Mechanical |
| White LCD | White LCD | White LCD | White LCD | White LCD | White LCD | White LCD |
| Yes | Yes | Yes | Yes | Yes | Yes | Yes |
| Yes | Yes | Yes | Yes | Yes | Yes | Yes |
| 50 | 50 | 50 | 50 | 50 | 50 | 50 |
| 250 | 250 | 250 | 250 | 250 | 250 | 250 |
| No | No | No | No | No | No | No |
| No | No | No | No | No | No | No |
| Easy-clean Nclean enamel | Easy-clean Nclean enamel | Easy-clean Nclean enamel | Easy-clean PyroNclean enamel | Easy-clean PyroNclean enamel | Easy-clean PyroNclean enamel | Easy-clean PyroNclean enamel |
| Chrome, removable | Chrome, removable | Chrome, removable | Chrome, removable | Chrome, removable | Chrome, removable | Chrome, removable |
| Removable | Removable | Removable | Removable | Removable | Removable | Removable |
| Nchild | Nchild | Nchild | | | | |
| Yes | Yes | Yes | Yes | Yes | Yes | Yes |
| Yes | Yes | Yes | | | | |
| Yes | Yes | Yes | Yes | Yes | Yes | Yes |
| 2 | 2 | 2 | 3 | 4 | 5 | 6 |
| Yes | Yes | Yes | Yes | Yes | Yes | Yes |
| 1900 | 1900 | 1900 | | | | |
| 1000 | 1000 | 1000 | | | | |
| 1200 | 1200 | 1200 | | | | |
| 2100 | 2100 | 2100 | | | | |
| 3650 | 3650 | 3650 | 3500 | 3500 | 3500 | 3500 |
| 220-240 / 50 | 220-240 / 50 | 220-240 / 50 | 220-240 / 50-60 | 220-240 / 50-60 | 220-240 / 50-60 | 220-240 / 50-60 |
| 15 | 15 | 15 | 20 | 20 | 20 | 20 |
| No | No | No | No | No | No | No |
| 1 | 1 | 1 | - | - | - | - |
| 1 | 1 | 1 | 1 | 1 | 1 | 1 |
| 1 | 1 | 1 | - | - | - | - |
| 1 | 1 | 1 | 1 | 1 | 1 | 1 |
| 100% | 100% | 100% | 60% | 60% | 60% | 60% |
| 1 | 1 | 1 | - | - | - | - |
| No | No | No | No | No | No | No |

| Code | 2115 | 2127 | 2119 | 2140 |
|--|--------------------------|--------------------------|--------------------------|---------------------|
| EAN | 8435025721159 | 8435025721272 | 8435025721197 | 8422248348362 |
| Model | NorChef MO 4800 DB | NorChef MO 4800 CU | NorChef MO 4800 SW | NorChef SO 4600 MB |
| Type | Multifunction | Multifunction | Multifunction | Steam |
| Product card | | | | |
| Energy efficiency index (conventional/multifunction EEI) | 92.3 | 92.3 | 92.3 | |
| Energy efficiency class | A | A | A | |
| Energy consumption in conventional mode (according to Standard EN 50304:2009) [kWh] | 0.69 | 0.69 | 0.69 | |
| Energy consumption in multifunction mode (according to Standard EN 50304:2009) [kWh] | 0.67 | 0.67 | 0.67 | |
| Number of cavities | 1 | 1 | 1 | |
| Cavity volume [l] | 40 | 40 | 40 | |
| Dimensions | | | | |
| Int. dimensions: height [mm] | 455 | 455 | 455 | 453 |
| Int. dimensions: width [mm] | 595 | 595 | 595 | 594 |
| Int. dimensions: depth [mm] | 550 | 550 | 550 | 562 |
| Int. dimensions: height [mm] | 436 | 436 | 436 | |
| Int. dimensions: width [mm] | 215 | 215 | 215 | |
| Int. dimensions: depth [mm] | 410 | 410 | 410 | |
| Characteristics | | | | |
| Finish | Black / chrome | Black / copper | White / chrome | Matte black / black |
| Soft-close door | No | No | No | No |
| Levels for trays | 4 | 4 | 4 | 4 |
| Fan | Yes | Yes | Yes | No |
| Number of lamps | 1 | 1 | 1 | 1 |
| Controls | | | | |
| Control type | Touch | Touch | Touch | Mechanical |
| Screen technology | White LCD | White LCD | White LCD | White LCD |
| Operation indicator | Yes | Yes | Yes | Yes |
| Thermostat indicator | Yes | Yes | Yes | Yes |
| Minimum temperature [°C] | 50 | 50 | 50 | 30 |
| Maximum temperature turboheat [°C] | 225 | 225 | 225 | 230 |
| Minimum temperature steam [°C] | No | No | No | 40 |
| Maximum temperature steam [°C] | No | No | No | 100 |
| Cleaning | | | | |
| Enamel | Easy-clean Nclean enamel | Easy-clean Nclean enamel | Easy-clean Nclean enamel | No |
| Type of cavity / lateral guides | Chrome, removable | Chrome, removable | Chrome, removable | Stainless steel |
| Door glass interior | Removable | Removable | Removable | |
| Safety lock | Nchild | Nchild | Nchild | |
| Internal light | Yes | Yes | Yes | Yes |
| Fast preheat | Yes | Yes | Yes | |
| Safety | | | | |
| Safety thermostat | Yes | Yes | Yes | Yes |
| Number of glass panels in door | 2 | 2 | 2 | 3 |
| Cooling fan | Yes | Yes | Yes | Yes |
| Electrical connection | | | | |
| Grill power [W] | 1400 | 1400 | 1400 | 900 |
| Microwave power [W] | | | | |
| Upper resistor power [W] | | | | |
| Lower resistor power [W] | 1050 | 1050 | 1050 | |
| Rear resistor power [W] | 1600 | 1600 | 1600 | |
| Total mains power [W] | 3280 | 3280 | 3280 | 1200 |
| Nominal voltage [V] / Mains frequency [Hz] | 220-240 / 50 | 220-240 / 50 | 220-240 / 50 | 220-240 / 50-60 |
| Oven light power [W] | 15 | 15 | 15 | 20 |
| Plug | No | No | No | No |
| Accessories | | | | |
| Flat tray | | | | 1 |
| Deep tray | 1 | 1 | 1 | - |
| Perforated tray | | | | 1 |
| Rack | 1 | 1 | 1 | 1 |
| Internal grill | 1 | 1 | 1 | 1 |
| Telescopic runners | 1 | 1 | 1 | - |
| Telescopic guides | 75% | 75% | 75% | - |
| Tray handle | 1 | 1 | 1 | - |
| Water tank [l] | No | No | No | 1l |

| | | | | | | |
|-------------------------|--------------------|-------------------------|-------------------------|-------------------------|-------------------------|-------------------------|
| 2155 | 2133 | 2146 | 2116 | 2120 | 2125 | 4152 |
| 8422248348447 | 8422248348188 | 8422248348287 | 8435025721166 | 8435025721203 | 8435025721258 | 8422248348379 |
| NorChef SO 4600 SS | NorChef SO 4600 DB | NorChef SO 4600 SW | NorChef SO 4800 DB | NorChef SO 4800 SW | NorChef SO 4800 CU | NorChef MW 4600 MB |
| Steam | Steam | Steam | Steam | Steam | Steam | Microwave ovens |
| | | | 67.8 | 67.8 | 67.8 | |
| | | | A+ | A+ | A+ | |
| | | | 0.59 | 0.59 | 0.59 | |
| | | | 0.48 | 0.48 | 0.48 | |
| | | | 1 | 1 | 1 | |
| | | | 36 | 36 | 36 | 34 |
| 453 | 453 | 453 | 455 | 455 | 455 | 453 |
| 594 | 594 | 594 | 595 | 595 | 595 | 594 |
| 562 | 562 | 562 | 510 | 510 | 510 | 562 |
| | | | 406 | 406 | 406 | |
| | | | 215 | 215 | 215 | |
| | | | 410 | 410 | 410 | |
| Black / stainless steel | Black / black | White / stainless steel | Black / chrome | White / chrome | Black / copper | Matte black / black |
| No | No | No | No | No | No | No |
| 4 | 4 | 4 | 4 | 4 | 4 | 3 |
| No | No | No | Yes | Yes | Yes | Yes |
| 1 | 1 | 1 | 1 | 1 | 1 | 1 |
| Mechanical | Mechanical | Mechanical | Touch | Touch | Touch | Mechanical |
| White LCD | White LCD | White LCD | White LCD | White LCD | White LCD | White LCD |
| Yes | Yes | Yes | Yes | Yes | Yes | Yes |
| Yes | Yes | Yes | Yes | Yes | Yes | Yes |
| 30 | 30 | 30 | 30 | 30 | 30 | |
| 230 | 230 | 230 | 225 | 225 | 225 | 230 |
| 40 | 40 | 40 | 40 | 40 | 40 | No |
| 100 | 100 | 100 | 100 | 100 | 100 | No |
| No | No | No | No | No | No | No |
| Stainless steel | Stainless steel | Stainless steel | Pressed stainless steel | Pressed stainless steel | Pressed stainless steel | Pressed stainless steel |
| | | | Removable | Removable | Removable | |
| | | | Nchild | Nchild | Nchild | |
| Yes | Yes | Yes | Yes | Yes | Yes | Yes |
| | | | Yes | Yes | Yes | |
| Yes | Yes | Yes | Yes | Yes | Yes | Yes |
| 3 | 3 | 3 | 3 | 3 | 3 | 3 |
| Yes | Yes | Yes | Yes | Yes | Yes | Yes |
| 900 | 900 | 900 | 1400 | 1400 | 1400 | 1500 |
| | | | | | | 900 |
| | | | 1600 | 1600 | 1600 | |
| 1200 | 1200 | 1200 | 3050 | 3050 | 3050 | 3200 |
| 220-240 / 50-60 | 220-240 / 50-60 | 220-240 / 50-60 | 220-240 / 50 | 220-240 / 50 | 220-240 / 50 | 220-240 / 50 |
| 20 | 20 | 20 | 15 | 15 | 15 | 20 |
| No | No | No | No | No | No | No |
| 1 | 1 | 1 | | | | |
| - | - | - | 1 | 1 | 1 | |
| 1 | 1 | 1 | 1 | 1 | 1 | |
| 1 | 1 | 1 | 1 | 1 | 1 | 1 |
| 1 | 1 | 1 | | | | 1 |
| - | - | - | | | | |
| - | - | - | | | | |
| - | - | - | 1 | 1 | 1 | |
| 1l | 1l | 1l | 1.2l | 1.2l | 1.2l | |

| Code | 4156 | 4150 | 4154 | 2117 |
|--|-------------------------|-------------------------|-------------------------|-------------------------|
| EAN | 8422248348454 | 8422248348218 | 8422248348294 | 8435025721173 |
| Model | NorChef MW 4600 SS | NorChef MW 4600 DB | NorChef MW 4600 SW | NorChef MW 4800 DB |
| Type | Microwave ovens | Microwave ovens | Microwave ovens | Microwave ovens |
| Product card | | | | |
| Energy efficiency index (conventional/multifunction EEI) | | | | |
| Energy efficiency class | | | | |
| Energy consumption in conventional mode (according to Standard EN 50304:2009) [kWh] | | | | |
| Energy consumption in multifunction mode (according to Standard EN 50304:2009) [kWh] | | | | |
| Number of cavities | | | | |
| Cavity volume [l] | 34 | 34 | 34 | 40 |
| Dimensions | | | | |
| Int. dimensions: height [mm] | 453 | 453 | 453 | 455 |
| Int. dimensions: width [mm] | 594 | 594 | 594 | 595 |
| Int. dimensions: depth [mm] | 562 | 562 | 562 | 543 |
| Int. dimensions: height [mm] | | | | 420 |
| Int. dimensions: width [mm] | | | | 232 |
| Int. dimensions: depth [mm] | | | | 408 |
| Characteristics | | | | |
| Finish | Black / stainless steel | Black / black | White / stainless steel | Black |
| Soft-close door | No | No | No | No |
| Levels for trays | 3 | 3 | 3 | 3 |
| Fan | Yes | Yes | Yes | Yes |
| Number of lamps | 1 | 1 | 1 | 1 |
| Controls | | | | |
| Control type | | | | Touch |
| Screen technology | | | | White LCD |
| Operation indicator | | | | Yes |
| Thermostat indicator | | | | Yes |
| Minimum temperature [°C] | | | | 50 |
| Maximum temperature turboheat [°C] | | | | 225 |
| Minimum temperature steam [°C] | | | | No |
| Maximum temperature steam [°C] | | | | No |
| Cleaning | | | | |
| Enamel | No | No | No | No |
| Type of cavity / lateral guides | Pressed stainless steel | Pressed stainless steel | Pressed stainless steel | Pressed stainless steel |
| Door glass interior | | | | No |
| Safety lock | | | | Nchild |
| Internal light | Yes | Yes | Yes | Yes |
| Fast preheat | | | | No |
| Safety | | | | |
| Safety thermostat | Yes | Yes | Yes | Yes |
| Number of glass panels in door | 3 | 3 | 3 | 2 |
| Cooling fan | Yes | Yes | Yes | Yes |
| Electrical connection | | | | |
| Grill power [W] | 1500 | 1500 | 1500 | 1400 |
| Microwave power [W] | 900 | 900 | 900 | 1000 |
| Upper resistor power [W] | | | | |
| Lower resistor power [W] | | | | 1050 |
| Rear resistor power [W] | | | | 1600 |
| Total mains power [W] | 3200 | 3200 | 3200 | 2550 |
| Nominal voltage [V] / Mains frequency [Hz] | 220-240 / 50 | 220-240 / 50 | 220-240 / 50 | 220-240 / 50 |
| Oven light power [W] | 20 | 20 | 20 | 15 |
| Plug | No | No | No | No |
| Accessories | | | | |
| Flat tray | | | | |
| Deep tray | | | | 1 |
| Perforated tray | | | | |
| Rack | 1 | 1 | 1 | 1 |
| Internal grill | 1 | 1 | 1 | 1 |
| Telescopic runners | | | | |
| Telescopic guides | | | | |
| Tray handle | | | | 1 |
| Water tank [l] | | | | No |

| | |
|-------------------------|-------------------------|
| 2121 | 2126 |
| 8435025721210 | 8435025721265 |
| NorChef MW 4800 SW | NorChef MW 4800 CU |
| Microwave ovens | Microwave ovens |
| | |
| | |
| | |
| | |
| 40 | 40 |
| | |
| 455 | 455 |
| 595 | 595 |
| 543 | 543 |
| 420 | 420 |
| 232 | 232 |
| 408 | 408 |
| | |
| White | Black |
| No | No |
| 3 | 3 |
| Yes | Yes |
| 1 | 1 |
| | |
| Touch | Touch |
| White LCD | White LCD |
| Yes | Yes |
| Yes | Yes |
| 50 | 50 |
| 225 | 225 |
| No | No |
| No | No |
| | |
| No | No |
| Pressed stainless steel | Pressed stainless steel |
| No | No |
| Nchild | Nchild |
| Yes | Yes |
| No | No |
| | |
| Yes | Yes |
| 2 | 2 |
| Yes | Yes |
| | |
| 1400 | 1400 |
| 1000 | 1000 |
| | |
| 1050 | 1050 |
| 1600 | 1600 |
| 2550 | 2550 |
| 220-240 / 50 | 220-240 / 50 |
| 15 | 15 |
| No | No |
| | |
| | |
| 1 | 1 |
| | |
| 1 | 1 |
| 1 | 1 |
| | |
| | |
| 1 | 1 |
| No | No |

| | | | |
|-------------------------------------|---------------------------|---------------------------|---------------------------|
| Code | 4053 | 2130 | 4057 |
| EAN | 8435025740532 | 8422248343169 | 8435025740570 |
| Model | NorChef MW 25 DG DB | NorChef MW 25 DG SS | NorChef MW 25 DG CU |
| Type (Built-in / free standing) | Built-in | Built-in | Built-in |
| Dimensions | | | |
| Int. dimensions: height [mm] | 208 | 208 | 208 |
| Int. dimensions: width [mm] | 328 | 328 | 328 |
| Int. dimensions: depth [mm] | 369 | 369 | 369 |
| Ext. dimensions: height [mm] | 388 | 388 | 388 |
| Ext. dimensions: width [mm] | 595 | 595 | 595 |
| Ext. dimensions: depth [mm] | 380 | 380 | 380 |
| Characteristics | | | |
| Finish | Black | Stainless steel | Black / copper |
| Door opening | Lateral with touch button | Lateral with touch button | Lateral with touch button |
| Volume [l] | 25 | 25 | 25 |
| Automatic menus | 8 | 8 | 8 |
| No. heat cooking programmes | 5 | 5 | 5 |
| No. grill cooking programmes | 3 | 3 | 3 |
| Noise level [dBA] | 63 | 63 | 63 |
| Timer programming | Yes | Yes | Yes |
| Control | | | |
| Screen technology | White electronic display | White electronic display | White electronic display |
| Electronic programmer | Yes | Yes | Yes |
| Manual programmer | No | No | No |
| Start / Stop button | Yes | Yes | Yes |
| Door open button | Push button | Push button | Push button |
| Time selector [min] | 95 | 95 | 95 |
| Power selector | Yes | Yes | Yes |
| Functions and temperature selector | Functions dial | Functions dial | Functions dial |
| Operation indicator | LED display | LED display | LED display |
| Control type | Electronic | Electronic | Electronic |
| Weight selector | Yes | Yes | Yes |
| Equipment | | | |
| Internal light | Yes | Yes | Yes |
| Cavity type | Stainless steel | Stainless steel | Stainless steel |
| Door opening angle [degrees] | 90 | 90 | 90 |
| Programmes | | | |
| Grill | Yes | Yes | Yes |
| Grill + Microwave | Yes | Yes | Yes |
| Defrost, heat and cook by food type | Yes | Yes | Yes |
| Memory | No | No | No |
| Quick start | Yes | Yes | Yes |
| Safety | | | |
| Safety thermostat | Yes | Yes | Yes |
| Automatic safety disconnection | Yes | Yes | Yes |
| Function lock | Yes | Yes | Yes |
| Door temperature | 65 | 65 | 65 |
| No. glass panels in door | 1 | 1 | 1 |
| Connection | | | |
| Grill power [kW] | 1 | 1 | 1 |
| Microwave power [W] | 900 | 900 | 900 |
| Maximum power [kW] | 1.45 | 1.45 | 1.45 |
| Voltage / Frequency [V~Hz] | 230 / 50 | 230 / 50 | 230 / 50 |
| Plug | Schuko | Schuko | Schuko |
| Accessories | | | |
| Removable turntable | Yes | Yes | Yes |
| Glass turntable diameter [mm] | 315 | 315 | 315 |
| Inset installation trim | Built-in | Built-in | Built-in |
| Ventilation kit | No | No | No |

PLATE WARMERS

| Code | 2141 | 2150 | 2134 | 2147 | 2122 | 2123 |
|------------------------------|----------------------|-------------------------|----------------------|-------------------------|----------------------|----------------------|
| EAN | 8422248348393 | 8422248348478 | 8422248348225 | 8422248348317 | 8435025721227 | 8435025721234 |
| Model | NorChef WP 1501 MB | NorChef WP 1501 SS | NorChef WP 1501 DB | NorChef WP 1501 SW | NorChef WP 1500 DB | NorChef WP 1500 SW |
| Type | Plate warmer | Plate warmer | Plate warmer | Plate warmer | Plate warmer | Plate warmer |
| Dimensions | | | | | | |
| Ext. dimensions: height [mm] | | | | | 140 | 140 |
| Ext. dimensions: width [mm] | | | | | 595 | 595 |
| Ext. dimensions: depth [mm] | | | | | 525 | 525 |
| Characteristics | | | | | | |
| Finish | Matte black / black | Black / stainless steel | Black / black | White / stainless steel | Black | White |
| Control type | On/Off button | On/Off button | On/Off button | On/Off button | On/Off button | On/Off button |
| Thermostat | Yes | Yes | Yes | Yes | Yes | Yes |
| Ventilation | | | | | | |
| On indicator | Yes | Yes | Yes | Yes | Yes | Yes |
| Maximum temperature | 70 | 70 | 70 | 70 | 70 | 70 |
| Low-temperature cooking | Yes | Yes | Yes | Yes | Yes | Yes |
| Yeast riser | Yes | Yes | Yes | Yes | Yes | Yes |
| Plate warmer | Yes | Yes | Yes | Yes | Yes | Yes |
| Keep hot | Yes | Yes | Yes | Yes | Yes | Yes |
| Useful volume [litres] | | | | | 20 | 20 |
| Cavity height | | | | | 120 | 120 |
| Cold door | Yes | Yes | Yes | Yes | Yes | Yes |
| Tempered glass | Yes | Yes | Yes | Yes | Yes | Yes |
| Connection | | | | | | |
| Maximum power [W] | 400 | 400 | 400 | 400 | 380-460 | 380-460 |
| Voltage / Frequency [V~Hz] | 220-240 V / 50-60 Hz | 220-240 V / 50-60 Hz | 220-240 V / 50-60 Hz | 220-240 V / 50-60 Hz | 220-240 V / 50-60 Hz | 220-240 V / 50-60 Hz |
| Plug | No | No | No | No | No | No |

VACUUM SEALER

| Code | 2143 | 2152 | 2136 | 2149 |
|------------------------------|---------------------|-------------------------|--------------------|-------------------------|
| EAN | 8422248348416 | 8422248348492 | 8422248348256 | 8422248348331 |
| Model | NorChef DP 1501 MB | NorChef DP 1501 SS | NorChef DP 1501 DB | NorChef DP 1501 SW |
| Type | Storage drawer | Storage drawer | Storage drawer | Storage drawer |
| Dimensions | | | | |
| Ext. dimensions: height [mm] | | | | |
| Ext. dimensions: width [mm] | | | | |
| Ext. dimensions: depth [mm] | | | | |
| Characteristics | | | | |
| Finish | Matte black / black | Black / stainless steel | Black / black | White / stainless steel |
| Control type | - | - | - | - |
| Thermostat | - | - | - | - |
| Ventilation | - | - | - | - |
| On indicator | - | - | - | - |
| Maximum temperature | - | - | - | - |
| Low-temperature cooking | - | - | - | - |
| Yeast riser | - | - | - | - |
| Plate warmer | - | - | - | - |
| Keep hot | - | - | - | - |
| Useful volume [litres] | - | - | - | - |
| Cavity height | - | - | - | - |
| Cold door | - | - | - | - |
| Tempered glass | - | - | - | - |
| Connection | | | | |
| Maximum power [W] | - | - | - | - |
| Voltage / Frequency [V~Hz] | - | - | - | - |
| Plug | - | - | - | - |

| 2142 | 2151 | 2135 | 2148 |
|----------------------|-------------------------|----------------------|-------------------------|
| 8422248348409 | 8422248348485 | 8422248348249 | 8422248348324 |
| NorChef VS 1501 MB | NorChef VS 1501 SS | NorChef VS 1501 DB | NorChef VS 1501 SW |
| Vacuum sealer | Vacuum sealer | Vacuum sealer | Vacuum sealer |
| 140 | | | |
| Matte black / black | Black / stainless steel | Black / black | White / stainless steel |
| Touch | Touch | Touch | Touch |
| - | - | - | - |
| - | - | - | - |
| - | - | - | - |
| - | - | - | - |
| - | - | - | - |
| - | - | - | - |
| - | - | - | - |
| - | - | - | - |
| - | - | - | - |
| Yes | Yes | Yes | Yes |
| Yes | Yes | Yes | Yes |
| 240 | 240 | 240 | 240 |
| 220-240 V / 50-60 Hz | 220-240 V / 50-60 Hz | 220-240 V / 50-60 Hz | 220-240 V / 50-60 Hz |
| Yes | Yes | Yes | Yes |

EXTRACTOR HOODS

| Code | 8525 | 8526 | 8527 | 8362 |
|--|--------------------------|------------------------|------------------------|--------------------|
| EAN | 8435025785250 | 8435025785267 | 8435025785274 | 8435025783621 |
| Model | ISLA DEIMOS 1400 TWIN RF | ISLA DEIMOS X 1200 RF | ISLA DEIMOS 1000 RF | ISLA SLIMOS 900 /A |
| Type | Ceiling | Ceiling | Ceiling | Ceiling |
| Product card according to directives EU65/2014 - EN61591, EN60704-2-13, EN50564 | | | | |
| AEC (annual energy consumption) (kWh/year) | 44 | 26.9 | 26.9 | 35.2 |
| EEl class (energy efficiency index class) | A+ | A+ | A+ | A |
| FDE (fluid dynamic efficiency) | 39.3 | 37.5 | 37.5 | 31.3 |
| FDE class (fluid dynamic rating) | A | A | A | A |
| LE (lighting efficiency) (lux/W) | 16.7 | 34 | 34 | 30 |
| LE class (lighting efficiency class) | D | B | B | A |
| GFE (grease filtering efficiency) | 58.6 | 62.7 | 62.7 | 91.2 |
| GFE class (grease filtering efficiency class) | E | E | E | B |
| Air flow at minimum speed (m³/h) | 400 | 245 | 245 | 221.3 |
| Air flow at maximum speed (m³/h) | 645 | 509.4 | 509.4 | 565 |
| Air flow at intensive speed (TURBO) (m³/h) | 1100 / 1600 | 765.3 | 765.3 | 662 |
| Sound power at minimum speed (dB) | 47 | 46 | 46 | 42 |
| Sound power at maximum speed (dB) | 66 | 63 | 63 | 63 |
| Sound power at intensive speed (TURBO) (dB) | 75 / 77 | 67 | 67 | 67 |
| Po (electricity consumption in off mode) (W) | 0.46 | 0.46 | 0.46 | 0.46 |
| Ps (electricity consumption in standby mode) (W) | - | - | - | - |
| Integration Directive according to EU 66/2014 | | | | |
| f (increase factor over time) | 0.6 | 0.7 | 0.7 | 0.9 |
| EEl (energy efficiency index) | 39.8 | 42.8 | 42.8 | 53.2 |
| QBEP (air flow at best efficiency point) (m³/h) | 738.8 | 346.6 | 346.6 | 288.9 |
| PBEP (difference in static pressure at best efficiency point) (Pa) | 308 | 298 | 298 | 314 |
| WBEP (input electrical power at best efficiency point) (W) | 161 | 76.6 | 76.6 | 80.5 |
| WL (nominal electricity consumption of the cooking surface's lighting system) (W) | 12 | 10 | 10 | 12 |
| EMIDDLE (average illuminance of the cooking surface's lighting system) (lux) | 200 | 340 | 340 | 360 |
| External dimensions | | | | |
| Width (mm) | 1400 | 1200 | 1000 | 900 |
| Depth (mm) | 700 | 600 | 600 | 500 |
| Maximum total height (mm) | 500 | 500 | 500 | - |
| Minimum total height (mm) | 285 | 285 | 285 | 155 |
| Outlet diameter (mm) | 2 x 150 | 150 | 150 | 220X90 |
| Characteristics | | | | |
| Motor | BT4DC | BT4DC | BT4DC | BT4DC |
| Extraction levels | 4+1+1 | 5+1 | 5+1 | 5+1 |
| Maximum motor consumption (W) | 2 x 135 | 135 | 135 | 135 |
| Maximum pressure (Pa) | 310 | 357 | 357 | 357 |
| Turbo pressure (Pa) | 357 / 365 | 365 | 365 | 365 |
| Control type | TCD6i + Remote control | TCD6i + Remote control | TCD6i + Remote control | TCD6i |
| Automatic disconnection | √ | √ | √ | √ |
| Filter saturation electronic indicator | √ | √ | √ | √ |
| Filter type | Metal aluminium | Metal aluminium | Metal aluminium | Metal aluminium |
| Number of anti-grease filters | 4 | 3 | 3 | 2 |
| Armoured interior | - | - | - | - |
| Lighting | | | | |
| Class of lamps | SSLED | SSLED | SSLED | SSLED |
| Lighting with adjustable intensity | √ | √ | √ | √ |
| No. lights | 4 | 2 | 2 | 4 |
| Installation | | | | |
| Minimum distance to an electric hob (mm) | 550 | 550 | 550 | 549 |
| Minimum distance to a gas hob (mm) | 700 | 700 | 700 | 660 |
| Installation with air outlet to exterior / recirculation | √ / √ | √ / √ | √ / √ | √ / √ |
| Easy-install system | √ | √ | √ | √ |
| Electrical connection | | | | |
| Total supply power (W) | 282 | 145 | 145 | 147 |
| Nominal voltage (V) | 220-240 | 220-240 | 220-240 | 220-240 |
| Mains frequency (Hz) | 50/60 | 50/60 | 50/60 | 50/60 |
| Electrical insulation | CLASS I | CLASS I | CLASS I | CLASS I |
| Plug | - | - | - | - |
| Accessories | | | | |
| Upper tube extension | - | - | - | - |
| Island trim | - | - | - | - |
| Check valve | √ | √ | √ | - |
| MAX PRO metal filter | - | - | - | - |
| Metal filter | 02800920 | 02800200 | 02800200 | 02800920 |
| DUAL filter (metal + active carbon) | 02800922 | 02800918 | 02800918 | 02800922 |
| Active carbon filters | 2859318 | 2859318 | 2859318 | - |
| Flexible tube silencer | 2 x 02893002 | 02893002 | 02893002 | - |
| Recirculating kit (kit with tubes + active carbon filters) | - | - | - | - |
| Aluminium decorative cover | - | - | - | - |
| Glass decorative cover | - | - | - | - |

| 8568 | 8569 | 8350 | 8351 | 8564 | 8565 | 8346 |
|------------------------|------------------------|------------------------|------------------------|------------------------------------|------------------------------------|-----------------|
| 8422248343695 | 8422248343688 | 8435025783508 | 8435025783515 | 8435025785649 | 8435025785656 | 8435025783461 |
| ISLA BESTLA X 960 RF | ISLA BESTLA WH 960 RF | ISLA JANO X 960 RF | ISLA JANO WH 960 RF | ISLA CUBE GLASS ECO 60 BK | ISLA CUBE GLASS ECO 60 WH | ALIZE 80 DB |
| Ceiling | Ceiling | Ceiling | Ceiling | Decorative Island | Decorative Island | Decorative |
| 43.9 | 43.9 | 26.2 | 26.2 | 24.5 | 24.5 | 48 |
| A+ | A+ | A+ | A+ | A+ | A+ | A |
| 36.7 | 36.7 | 35.2 | 35.2 | 37 | 37 | 31.5 |
| A | A | A | A | A | A | A |
| 26.3 | 26.3 | 26.3 | 26.3 | 18.7 | 18.7 | 46.7 |
| B | B | B | B | C | C | A |
| 58.6 | 58.6 | 58.6 | 58.6 | 78.1 | 78.1 | 78.9 |
| E | E | E | E | C | C | C |
| 300 | 300 | 266 | 266 | 278.6 | 278.6 | 215 |
| 640 | 640 | 535 | 535 | 572.8 | 572.8 | 485 |
| 800 | 800 | 570 | 570 | 760.9 | 760.9 | 610 |
| 47 | 47 | 50 | 50 | 52 | 52 | 54 |
| 62 | 62 | 65 | 65 | 64 | 64 | 64 |
| 64 | 64 | 67 | 67 | 70 | 70 | 64 |
| 0.46 | 0.46 | 0.32 | 0.32 | 0.46 | 0.46 | 0.49 |
| - | - | - | - | - | - | - |
| 0.7 | 0.7 | 0.7 | 0.7 | 0.7 | 0.7 | 0.9 |
| 42.3 | 42.3 | 40 | 40 | 39.6 | 39.6 | 51.5 |
| 393.7 | 393.7 | 288.9 | 288.9 | 316.9 | 316.9 | 360.9 |
| 519 | 519 | 375 | 375 | 330 | 330 | 430 |
| 154.7 | 154.7 | 85.3 | 85.3 | 78.6 | 78.6 | 137.8 |
| 6 | 6 | 6 | 6 | 6 | 6 | 3.8 |
| 166 | 166 | 166 | 166 | 112 | 112 | 175 |
| 960 | 960 | 960 | 960 | 620 | 620 | 800 |
| 665 | 665 | 665 | 665 | 480 | 480 | 235 |
| 210 | 210 | 170 | 170 | 1140 | 1140 | 1270 |
| 210 | 210 | 170 | 170 | 815 | 815 | 920 |
| 180X90 | 180X90 | 220X90 | 220X90 | 150/125 | 150/125 | 150 |
| EBM 225 | EBM 225 | S6 | S6 | BTD4DC | BTD4DC | M230 |
| 5+1 | 5+1 | 5+1 | 5+1 | 5+1 | 5+1 | 3+1 |
| 170 | 170 | 90 | 90 | 135 | 135 | 230 |
| | | 640 | 640 | 357 | 357 | 490 |
| | | 670 | 670 | 365 | 365 | 512 |
| TCD6i + Remote control | TCD6i + Remote control | TCD6i + Remote control | TCD6i + Remote control | TCD6i | TCD6i | TC3I |
| √ | √ | √ | √ | √ | √ | √ |
| √ | √ | √ | √ | √ | √ | √ |
| Metal aluminium | Metal aluminium | Metal aluminium | Metal aluminium | Decorative premium stainless steel | Decorative premium stainless steel | Metal aluminium |
| 2 | 2 | 2 | 2 | 2 | 2 | 1 |
| - | - | - | - | - | - | - |
| SSLED | SSLED | SSLED | SSLED | SSLED | SSLED | Ambient + SSLED |
| √ | √ | √ | √ | √ | √ | √ |
| 2 | 2 | 2 | 2 | 2 | 2 | 1 |
| 550 | 550 | 550 | 550 | 650 | 650 | 500 |
| 660 | 660 | 660 | 660 | 650 | 650 | |
| √ / √ | √ / √ | √ / √ | √ / √ | √ / √ | √ / √ | √ / √ |
| √ | √ | √ | √ | √ | √ | √ |
| 176 | 176 | 96 | 96 | 141 | 141 | 234 |
| 220-240 | 220-240 | 220-240 | 220-240 | 220-240 | 220-240 | 220-240 |
| 50 | 50 | 50 | 50 | 50 | 50 | 50-60 |
| CLASS I | CLASS I | CLASS I | CLASS I | CLASS I | CLASS I | |
| - | - | - | - | - | - | SCHUKO |
| - | - | - | - | - | - | |
| - | - | - | - | - | - | |
| - | - | - | - | 02832004 | 02832004 | |
| - | - | - | - | 02800917 | 02800917 | |
| 02800920 | 02800920 | 02800930 | 02800930 | 02800210 | 02800210 | |
| 02800922 | 02800922 | 02800922 | 02800922 | 02800918 | 02800918 | |
| - | - | - | - | 02859392 | 02859392 | |
| - | - | - | - | 02893002 | 02893002 | |
| - | - | - | - | - | - | |
| - | - | - | - | - | - | |
| - | - | - | - | - | - | |

EXTRACTOR HOODS

| Code | 8347 | 8532 | 8533 | 8513 |
|---|-----------------|----------------------------|----------------------------|----------------------|
| EAN | 8435025783478 | 8435025785328 | 8435025785335 | 8435025785137 |
| Model | ALIZE 80 SW | CUBE GLASS ECO 90 BK | CUBE GLASS ECO 90 WH | CIRCUM 90 DB NMOTION |
| Type | Decorative | Decorative | Decorative | Decorative vertical |
| Product card according to dir. EU65/2014 - EN61591, EN60704-2-13, EN50564 | | | | |
| AEC (annual energy consumption) (kWh/year) | 48 | 53.6 | 53.6 | 23.4 |
| EEl class (energy efficiency index class) | A | A | A | A++ |
| FDE (fluid dynamic efficiency) | 31.5 | 30.6 | 30.6 | 39.3 |
| FDE class (fluid dynamic rating) | A | A | A | A |
| LE (lighting efficiency) (lux/W) | 46.7 | 41.2 | 41.2 | 9.2 |
| LE class (lighting efficiency class) | A | A | A | E |
| GFE (grease filtering efficiency) | 78.9 | 91.2 | 91.2 | 58.6 |
| GFE class (grease filtering efficiency class) | C | B | B | E |
| Air flow at minimum speed (m ³ /h) | 215 | 340 | 340 | 270.8 |
| Air flow at maximum speed (m ³ /h) | 485 | 600 | 600 | 608.5 |
| Air flow at intensive speed (TURBO) (m ³ /h) | 610 | 820 | 820 | 851.6 |
| Sound power at minimum speed (dB) | 54 | 50 | 50 | 46 |
| Sound power at maximum speed (dB) | 64 | 65 | 65 | 65 |
| Sound power at intensive speed (TURBO) (dB) | 64 | 67 | 67 | 70 |
| Po (electricity consumption in off mode) (W) | 0.49 | 0.32 | 0.32 | 0.46 |
| Ps (electricity consumption in standby mode) (W) | - | - | - | - |
| Integration Directive according to EU 66/2014 | | | | |
| f (increase factor over time) | 0.9 | 0.9 | 0.9 | 0.6 |
| EEl (energy efficiency index) | 51.5 | 52.1 | 52.1 | 36.5 |
| QBEP (air flow at best efficiency point) (m ³ /h) | 360.9 | 416.9 | 416.9 | 369.4 |
| PBEP (difference in static pressure at best efficiency point) (Pa) | 430 | 411 | 411 | 308 |
| WBEP (input electrical power at best efficiency point) (W) | 137.8 | 155.7 | 155.7 | 80.5 |
| WL (nominal electricity consumption of the cooking surface's lighting system) (W) | 3.8 | 3.5 | 3.5 | 8 |
| EMIDDLE (average illuminance of the cooking surface's lighting system) (lux) | 175 | 144.2 | 144.2 | 74 |
| External dimensions | | | | |
| Width (mm) | 800 | 900 | 900 | 898 |
| Depth (mm) | 235 | 420 | 420 | 380 |
| Maximum total height (mm) | 1270 | 1000 | 1000 | 1130 |
| Minimum total height (mm) | 920 | 650 | 650 | 900 |
| Outlet diameter (mm) | 150 | 150/125 | 150/125 | 150 |
| Characteristics | | | | |
| Motor | M230 | BT3 | BT3 | BT4DC |
| Extraction levels | 3+1 | 3+1 | 3+1 | 5+1 |
| Maximum motor consumption (W) | 230 | 280 | 280 | 135 |
| Maximum pressure (Pa) | 490 | 450 | 450 | 357 |
| Turbo pressure (Pa) | 512 | 470 | 470 | 365 |
| Control type | TC3i | TC4i | TC4i | TCMD6i |
| Automatic disconnection | √ | √ | √ | √ |
| Filter saturation electronic indicator | √ | √ | √ | √ |
| Filter type | Metal aluminium | Decorative stainless steel | Decorative stainless steel | Metal aluminium |
| Number of anti-grease filters | 1 | 3 | 3 | 1+1 |
| Armoured interior | - | - | - | - |
| Lighting | | | | |
| Class of lamps | Ambient + SSLED | Eco LED Strip | Eco LED Strip | Ambient + SSLED |
| Lighting with adjustable intensity | √ | √ | √ | √ |
| No. lights | 1 | 1 | 1 | 1+1 |
| Installation | | | | |
| Minimum distance to an electric hob (mm) | 500 | 650 | 650 | 550 |
| Minimum distance to a gas hob (mm) | | 650 | 650 | 650 |
| Installation with air outlet to exterior / recirculation | √ / √ | √ / √ | √ / √ | √ / √ |
| Easy-install system | √ | √ | √ | √ |
| Electrical connection | | | | |
| Total supply power (W) | 234 | 285 | 285 | 149 |
| Nominal voltage (V) | 220-240 | 220-240 | 220-240 | 220-240 |
| Mains frequency (Hz) | 50-60 | 50 | 50 | 50/60 |
| Electrical insulation | | CLASS II | CLASS II | CLASS I |
| Plug | SCHUKO | EU | EU | - |
| Accessories | | | | |
| Upper tube extension | | - | - | - |
| Island trim | | - | - | - |
| Check valve | | 02832004 | 02832004 | 02832008 |
| MAX PRO metal filter | | 02800917 | 02800917 | - |
| Metal filter | | 02800206 | 02800206 | 02800954 / 02800949 |
| DUAL filter (metal + active carbon) | | 02800918 | 02800918 | - |
| Active carbon filters | | 02859392 | 02859392 | 2859318 |
| Flexible tube silencer | | 02893002 | 02893002 | 02893002 |
| Recirculating kit (kit with tubes + active carbon filters) | | - | - | - |
| Aluminium decorative cover | | - | - | - |
| Glass decorative cover | | - | - | - |

| 8516 | 8519 | 8604 | 8594 | 8549 | 8518 | 8536 |
|---------------------|---------------------|---------------------|---------------------|------------------------------------|------------------------------------|------------------------------------|
| 8435025785168 | 8435025785199 | 8435025786042 | 8435025785946 | 8435025785496 | 8435025785182 | 8435025785366 |
| MISTRAL 90 DB | MISTRAL 90 SW | MISTRAL 70 DB | MISTRAL 70 SW | SLIM 110 BK | SLIM 90 CU | SLIM 90 BK |
| Decorative vertical | Decorative vertical | Decorative vertical | Decorative vertical | Decorative horizontal | Decorative horizontal | Decorative horizontal |
| 22.4 | 22.4 | 22.4 | 22.4 | 21.3 | 21.3 | 21.3 |
| A++ | A++ | A++ | A++ | A++ | A++ | A++ |
| 36.7 | 36.7 | 36.7 | 36.7 | 39.3 | 39.3 | 39.3 |
| A | A | A | A | A | A | A |
| 23.4 | 23.4 | 23.4 | 23.4 | 14.8 | 14.8 | 14.8 |
| B | B | B | B | D | D | D |
| 75.5 | 75.5 | 75.5 | 75.5 | 58.6 | 58.6 | 58.6 |
| C | C | C | C | E | E | E |
| 255.3 | 255.3 | 255.3 | 255.3 | 270.8 | 270.8 | 270.8 |
| 585.4 | 585.4 | 585.4 | 585.4 | 608.5 | 608.5 | 608.5 |
| 800 | 800 | 800 | 800 | 851.6 | 851.6 | 851.6 |
| 46 | 46 | 46 | 46 | 46 | 46 | 46 |
| 64 | 64 | 64 | 64 | 65 | 65 | 65 |
| 69 | 69 | 69 | 69 | 70 | 70 | 70 |
| 0.49 | 0.49 | 0.49 | 0.49 | 0.46 | 0.46 | 0.46 |
| - | - | - | - | - | - | - |
| 0.7 | 0.7 | 0.7 | 0.7 | 0.6 | 0.6 | 0.6 |
| 35.3 | 35.3 | 35.3 | 35.3 | 34.2 | 34.2 | 34.2 |
| 398.7 | 398.7 | 398.7 | 398.7 | 369.4 | 369.4 | 369.4 |
| 290 | 290 | 290 | 290 | 308 | 308 | 308 |
| 87.6 | 87.6 | 87.6 | 87.6 | 80.5 | 80.5 | 80.5 |
| 5 | 5 | 5 | 5 | 5 | 5 | 5 |
| 117 | 117 | 117 | 117 | 74 | 74 | 74 |
| 895 | 895 | 695 | 695 | 1100 | 900 | 900 |
| 403 | 403 | 403 | 403 | 480 | 480 | 480 |
| 1196 | 1196 | 1196 | 1196 | 1030 | 1030 | 1030 |
| 856 | 856 | 856 | 856 | 632 | 632 | 632 |
| 150 | 150 | 150 | 150 | 150 | 150 | 150 |
| BT4DC | BT4DC | BT4DC | BT4DC | BT4DC | BT4DC | BT4DC |
| 5+1 | 5+1 | 5+1 | 5+1 | 5+1 | 5+1 | 5+1 |
| 135 | 135 | 135 | 135 | 135 | 135 | 135 |
| 357 | 357 | 357 | 357 | 357 | 357 | 357 |
| 345 | 345 | 345 | 345 | 365 | 365 | 365 |
| TCD6i | TCD6i | TCD6i | TCD6i | TCD6i | TCD6i | TCD6i |
| √ | √ | √ | √ | √ | √ | √ |
| √ | √ | √ | √ | √ | √ | √ |
| Metal aluminium | Metal aluminium | Metal aluminium | Metal aluminium | Decorative premium stainless steel | Decorative premium stainless steel | Decorative premium stainless steel |
| 3 | 3 | 2 | 2 | 4 | 3 | 3 |
| - | - | - | - | √ | √ | √ |
| SSLED | SSLED | SSLED | SSLED | SSLED | SSLED | SSLED |
| √ | √ | √ | √ | √ | √ | √ |
| 1 | 1 | 1 | 1 | 1 | 1 | 1 |
| 400 | 400 | 400 | 400 | 650 | 650 | 650 |
| 650 | 650 | 650 | 650 | 650 | 650 | 650 |
| √ / √ | √ / √ | √ / √ | √ / √ | √ / √ | √ / √ | √ / √ |
| √ | √ | √ | √ | √ | √ | √ |
| 140 | 140 | 141 | 142 | 140 | 140 | 140 |
| 220-240 | 220-240 | 220-241 | 220-242 | 220-240 | 220-240 | 220-240 |
| 50/60 | 50/60 | 50/60 | 50/60 | 50/60 | 50/60 | 50/60 |
| CLASS I | CLASS I | CLASS I | CLASS I | CLASS I | CLASS I | CLASS I |
| - | - | - | - | - | - | - |
| - | - | - | - | 02861300 | - | 02861300 |
| - | - | - | - | - | - | - |
| 02832008 | 02832008 | 02832009 | 02832010 | 02832008 | 02832008 | 02832008 |
| - | - | - | - | - | - | - |
| 2811002 | 2811002 | 2811003 | 2811004 | 02800205 | 02800204 | 02800204 |
| - | - | - | - | - | 02800922 | 02800922 |
| 2859318 | 2859318 | 2859319 | 2859320 | 2859318 | 2859318 | 2859318 |
| 02893002 | 02893002 | 02893003 | 02893004 | 02893002 | 02893002 | 02893002 |
| - | - | - | - | - | - | - |
| - | - | - | - | - | - | - |
| - | - | - | - | - | - | - |

EXTRACTOR HOODS

| Code | 8537 | 8520 | 8563 | 8540 |
|---|------------------------------------|------------------------------------|------------------------------------|----------------------|
| EAN | 8435025785373 | 8435025785205 | 8435025785632 | 8435025785403 |
| Model | SLIM 90 WH | SLIM 70 BK | SLIM 70 WH | GRECAL 90 WH NMOTION |
| Type | Decorative horizontal | Decorative horizontal | Decorative horizontal | Integrated |
| Product card according to dir. EU65/2014 - EN61591, EN60704-2-13, EN50564 | | | | |
| AEC (annual energy consumption) (kWh/year) | 21.3 | 19.8 | 19.8 | 24.7 |
| EEl class (energy efficiency index class) | A++ | A++ | A++ | A+ |
| FDE (fluid dynamic efficiency) | 39.3 | 39.3 | 39.3 | 37.5 |
| FDE class (fluid dynamic rating) | A | A | A | A |
| LE (lighting efficiency) (lux/W) | 14.8 | 22.3 | 22.3 | 23.7 |
| LE class (lighting efficiency class) | D | B | B | B |
| GFE (grease filtering efficiency) | 58.6 | 58.6 | 58.6 | 62.7 |
| GFE class (grease filtering efficiency class) | E | E | E | E |
| Air flow at minimum speed (m ³ /h) | 270.8 | 270.8 | 270.8 | 245 |
| Air flow at maximum speed (m ³ /h) | 608.5 | 608.5 | 608.5 | 536.6 |
| Air flow at intensive speed (TURBO) (m ³ /h) | 851.6 | 851.6 | 851.6 | 765.3 |
| Sound power at minimum speed (dB) | 46 | 46 | 46 | 46 |
| Sound power at maximum speed (dB) | 65 | 65 | 65 | 63 |
| Sound power at intensive speed (TURBO) (dB) | 70 | 70 | 70 | 67 |
| Po (electricity consumption in off mode) (W) | 0.46 | 0.46 | 0.46 | 0.49 |
| Ps (electricity consumption in standby mode) (W) | - | - | - | - |
| Integration Directive according to EU 66/2014 | | | | |
| f (increase factor over time) | 0.6 | 0.6 | 0.6 | 0.7 |
| EEl (energy efficiency index) | 34.2 | 32.4 | 32.4 | 40.3 |
| QBEP (air flow at best efficiency point) (m ³ /h) | 369.4 | 369.4 | 369.4 | 346.6 |
| PBEP (difference in static pressure at best efficiency point) (Pa) | 308 | 308 | 308 | 298 |
| WBEP (input electrical power at best efficiency point) (W) | 80.5 | 80.5 | 80.5 | 76.6 |
| WL (nominal electricity consumption of the cooking surface's lighting system) (W) | 5 | 3 | 3 | 7 |
| EMIDDLE (average illuminance of the cooking surface's lighting system) (lux) | 74 | 67 | 67 | 166 |
| External dimensions | | | | |
| Width (mm) | 900 | 700 | 700 | 900 |
| Depth (mm) | 480 | 480 | 480 | 310-350 |
| Maximum total height (mm) | 1030 | 1030 | 1030 | 332 |
| Minimum total height (mm) | 632 | 632 | 632 | 332 |
| Outlet diameter (mm) | 150 | 150 | 150 | 150 |
| Characteristics | | | | |
| Motor | BT4DC | BT4DC | BT4DC | BT4DC |
| Extraction levels | 5+1 | 5+1 | 5+1 | 5+1 |
| Maximum motor consumption (W) | 135 | 135 | 135 | 135 |
| Maximum pressure (Pa) | 357 | 357 | 357 | 357 |
| Turbo pressure (Pa) | 365 | 365 | 365 | 365 |
| Control type | TCD6i | TCD6i | TCD6i | TCMD6i |
| Automatic disconnection | √ | √ | √ | √ |
| Filter saturation electronic indicator | √ | √ | √ | √ |
| Filter type | Decorative premium stainless steel | Decorative premium stainless steel | Decorative premium stainless steel | Metal aluminium |
| Number of anti-grease filters | 3 | 2 | 2 | 3 |
| Armoured interior | √ | √ | √ | - |
| Lighting | | | | |
| Class of lamps | SSLED | SSLED | SSLED | SSLED |
| Lighting with adjustable intensity | √ | √ | √ | √ |
| No. lights | 1 | 1 | 1 | 1 |
| Installation | | | | |
| Minimum distance to an electric hob (mm) | 650 | 650 | 650 | 550 |
| Minimum distance to a gas hob (mm) | 650 | 650 | 650 | 650 |
| Installation with air outlet to exterior / recirculation | √ / √ | √ / √ | √ / √ | √ / √ |
| Easy-install system | √ | √ | √ | √ |
| Electrical connection | | | | |
| Total supply power (W) | 140 | 138 | 138 | 146 |
| Nominal voltage (V) | 220-240 | 220-240 | 220-240 | 220-240 |
| Mains frequency (Hz) | 50/60 | 50/60 | 50/60 | 50/60 |
| Electrical insulation | CLASS I | CLASS I | CLASS I | CLASS I |
| Plug | - | - | - | - |
| Accessories | | | | |
| Upper tube extension | 02861300 | 02861300 | 02861300 | - |
| Island trim | - | - | - | - |
| Check valve | 02832008 | 02832008 | 02832008 | 02832008 |
| MAX PRO metal filter | - | - | - | - |
| Metal filter | 02800204 | 02800204 | 02800204 | 02811000 |
| DUAL filter (metal + active carbon) | 02800922 | 02800922 | 02800922 | 2811003 |
| Active carbon filters | 2859318 | 2859318 | 2859318 | 2859318 |
| Flexible tube silencer | 02893002 | 02893002 | 02893002 | 02893002 |
| Recirculating kit (kit with tubes + active carbon filters) | - | - | - | - |
| Aluminium decorative cover | - | - | - | - |
| Glass decorative cover | - | - | - | - |

| 8550 | 8353 | 8354 | 8355 | 8356 | 8551 | 8552 |
|----------------------|---------------|---------------|---------------|---------------|-----------------|-----------------|
| 8435025785502 | 8435025783539 | 8435025783546 | 8435025783553 | 8435025783560 | 8435025785519 | 8435025785526 |
| GREGAL 60 WH NMOTION | BISE 900 SS | BISE 600 SS | CUDO 850 SS | CUDO 520 SS | ECLIPSE 90 BK | ECLIPSE 60 BK |
| Integrated | Integrated | Integrated | Integrated | Integrated | Filter group | Filter group |
| 21.8 | 42.9 | 40.4 | 37.7 | 44 | 56.1 | 55 |
| A++ | A | A | A+ | A | A | A |
| 37.5 | 34.5 | 32.3 | 35.1 | 31.9 | 30.2 | 30.2 |
| A | A | A | A | A | A | A |
| 22.3 | 28.7 | 31.6 | 28.7 | 32 | 26 | 31 |
| B | A | A | A | A | B | A |
| 62.7 | 91.8 | 97.1 | 97.8 | 97.1 | 91.2 | 91.2 |
| E | B | A | A | A | B | B |
| 245 | 265 | 240 | 240 | 235 | 340 | 340 |
| 536.6 | 610 | 605 | 425 | 433 | 600 | 600 |
| 765.3 | 735 | 690 | 725 | 655 | 750 | 750 |
| 46 | 44 | 45 | 60 | 59 | 50 | 50 |
| 63 | 63 | 62 | 63 | 65 | 65 | 65 |
| 67 | 71 | 70 | 69 | 70 | 67 | 67 |
| 0.49 | 0.49 | 0.49 | 0.49 | 0.49 | 0.3 | 0.3 |
| - | - | - | - | - | - | - |
| 0.7 | 0.8 | 0.8 | 0.7 | 0.9 | 0.9 | 0.9 |
| 36.9 | 47 | 45.8 | 41.7 | 50.9 | 53 | 53 |
| 346.6 | 346.5 | 320.5 | 356.4 | 315.3 | 429.4 | 429.4 |
| 298 | 474 | 467 | 463 | 457 | 405 | 405 |
| 76.6 | 132 | 128.8 | 130.5 | 125.5 | 159.8 | 159.8 |
| 3 | 6 | 3.8 | 6 | 3.8 | 5 | 3.5 |
| 67 | 172 | 120 | 172 | 120 | 130 | 109 |
| 600 | 898 | 598 | 850 | 520 | 830 | 530 |
| 310-350 | 310-350 | 310-350 | 290 | 290 | 280 | 280 |
| 332 | 730 | 730 | 350 | 350 | 316 | 316 |
| 332 | 400 | 400 | 350 | 350 | 316 | 316 |
| 150 | 150 | 150 | 150 | 150 | 150 | 150 |
| BT4DC | M275 | M275 | M270 | M270 | BT3 | BT3 |
| 5+1 | 3+1 | 3+1 | 4 | 4 | 3+1 | 3+1 |
| 135 | 275 | 275 | 270 | 270 | 280 | 280 |
| 357 | 541 | 541 | 503 | 510 | 450 | 450 |
| 365 | 570 | 558 | 573 | 571 | 470 | 470 |
| TCMD6i | TC3i | TC3i | M3 | M3 | TC4i | TC4i |
| √ | √ | √ | √ | √ | √ | √ |
| √ | √ | √ | √ | √ | √ | √ |
| Metal aluminium | Professional | Professional | Professional | Professional | Metal aluminium | Metal aluminium |
| 2 | 2 | 1 | 1 | 1 | 3 | 2 |
| - | - | - | - | - | - | - |
| SSLED | SSLED | SSLED | SSLED | SSLED | SSLED | SSLED |
| √ | √ | √ | √ | √ | √ | √ |
| 1 | 1 | 1 | 1 | 1 | 1 | 1 |
| 550 | 550 | 550 | 550 | 550 | 550 | 550 |
| 650 | 650 | 650 | 650 | 650 | 650 | 650 |
| √ / √ | √ / √ | √ / √ | √ / √ | √ / √ | √ / √ | √ / √ |
| √ | √ | √ | √ | √ | √ | √ |
| 144 | 281 | 279 | 276 | 273 | 285 | 283.5 |
| 220-240 | 220-240 | 220-240 | 220-240 | 220-240 | 220-240 | 220-240 |
| 50/60 | 50/60 | 50/60 | 50/60 | 50/60 | 50 | 50 |
| CLASS I | | | | | CLASS II | CLASS II |
| - | SCHUKO | SCHUKO | SCHUKO | SCHUKO | EU | EU |
| - | | | | | - | - |
| - | | | | | - | - |
| 02832008 | | | | | 02832004 | 02832004 |
| - | | | | | - | - |
| 02811000 | | | | | 02800955 | 02800955 |
| 02811003 | | | | | - | - |
| 2859318 | | | | | 02859398 | 02859398 |
| 02893002 | | | | | 02893002 | 02893002 |
| - | | | | | - | - |
| - | | | | | - | - |
| - | | | | | - | - |

| Code | 4139 | 4103 | 4104 | 4146 | 4149 | 4158 | 4132 |
|---|------------------------------------|---------------------------|---------------------------|---------------------|---------------------|---------------------|---------------------|
| EAN | 8435025741393 | 8435025741034 | 8435025741041 | 8435025741461 | 8422248350082 | 8422248350129 | 8422248350099 |
| Model | NorCook IS N7220 BK | NorCook IH N9205 BK | NorCook IH N8205 BK | NorCook IH N9323 BK | NorCook IH N8106 BK | NorCook IH N6406 BK | NorCook IH N6326 BK |
| Type | Induction hob with surface suction | Induction | Induction | Induction | Induction | Induction | Induction |
| Product card | | | | | | | |
| Cooking areas | 4 | Total cooking surface | Total cooking surface | 5 | 4 | 4 | 3 |
| Front right area: Diameter (mm) | 190x190 | - | - | 210x200 | 180 | 210x190 | |
| Front right area: Power (kW) | 2 | - | - | 2 | 1.2 | 2 | |
| Front right area: Booster (kW) | 2.8 | - | - | 2,8 | 1.5 | 3 | |
| Front right area: Consumption (Wh/kg) | 206.8 | - | - | 182,7 | 179.5 | 182,7 | |
| Rear right area: Diameter (mm) | 190x190 | - | - | 210x200 | | 210x190 | 320/185 |
| Rear right area: Power (kW) | 1.5 | - | - | 1,5 | | 2 | 3/1.5 |
| Rear right area: Booster (kW) | 2 | - | - | 2 | | 2,6 | 3.6/1.8 |
| Rear right area: Consumption (Wh/kg) | 181.5 | - | - | 182,9 | | 182,7 | 175.4 |
| Front central area: Diameter (mm) | - | - | - | - | | | - |
| Front central area: Power (kW) | - | - | - | - | | | - |
| Front central area: Booster (kW) | - | - | - | - | | | - |
| Front central area: Consumption (Wh/kg) | - | - | - | - | | | - |
| Rear central area: Diameter (mm) | - | - | - | 300 | 300 | | - |
| Rear central area: Power (kW) | - | - | - | 2,3 | 2.3 | | - |
| Rear central area: Booster (kW) | - | - | - | 3 | 3 | | - |
| Rear central area: Consumption (Wh/kg) | - | - | - | 216,3 | 216.3 | | - |
| Front left area: Diameter (mm) | 190x190 | - | - | 210x200 | 210x200 | 210x190 | 210 |
| Front left area: Power (kW) | 2 | - | - | 1,5 | 1.5 | 2 | 2.3 |
| Front left area: Booster (kW) | 2.8 | - | - | 2 | 2 | 3 | 2.6 |
| Front left area: Consumption (Wh/kg) | 194.2 | - | - | 182,9 | 182.9 | 182,7 | 186.6 |
| Rear left area: Diameter (mm) | 190x190 | - | - | 210x200 | 210x200 | 210x190 | 160 |
| Rear left area: Power (kW) | 1.5 | - | - | 2 | 2 | 2 | 1.2 |
| Rear left area: Booster (kW) | 2 | - | - | 2,8 | 2.8 | 2,6 | 1.5 |
| Rear left area: Consumption (Wh/kg) | 181.5 | - | - | 182,7 | 182.7 | 194,8 | 194.8 |
| Hob energy consumption (Wh/kg) | 194.2 | 190.7 | 191 | 189,5 | 190.4 | | 187.2 |
| Dimensions | | | | | | | |
| Appliance width (mm) | 770 | 930 | 810 | 900 | 800 | 590 | 630 |
| Appliance depth (mm) | 520 | 520 | 520 | 520 | 520 | 520 | 520 |
| Appliance height (mm) | 250 | 55 | 55 | 60 | 60 | 63 | 60 |
| Gap width (mm) | 750 | 908 | 795 | 875 | 745 | 560 | 565 |
| Gap depth (mm) | 490 | 503 | 503 | 495 | 495 | 490 | 495 |
| Ventilation groove (mm) | 5 | 5 | 5 | 5 | 5 | 5 | 5 |
| Fixing system | Quick-Fix System | Quick-Fix System | Quick-Fix System | Quick-Fix System | Quick-Fix System | Quick-Fix System | Quick-Fix System |
| Finish | | | | | | | |
| Colour | Black | Black | Black | Black | Black | Black | Black |
| Aesthetic | Front bevel | Front bevel | Front bevel | Front bevel | Front bevel | Rounded | Front bevel |
| Control | | | | | | | |
| Control type | Touch | Hidden Multi Slider Touch | Hidden Multi Slider Touch | Multi Slider Touch | Hidden slider | Hidden Slider | Hidden slider |
| Power selector (+/-) | Centralised | Individual per light | Individual per light | Individual per zone | Centralised | Centralized | Centralised |
| Power levels | 9 + Booster | 17 + 2xBooster | 17 + 2xBooster | 9 + Booster | 9 + 2xBooster | 9 + 2xBooster | 9 + 2xBooster |
| Cooking time programming | Yes | Yes | Yes | Yes | Yes | Yes | Yes |
| Countdown timer | Yes | Yes | Yes | Yes | Yes | Yes | Yes |
| Function to limit power | No | No | No | No | Yes | Yes | Yes |
| Safety | | | | | | | |
| Safety lock | Yes | Yes | Yes | Yes | Yes | Yes | Yes |
| Residual heat indicator | Yes | Yes | Yes | Yes | Yes | Yes | Yes |
| Automatic cookware detection | Yes | Yes | Yes | Yes | Yes | Yes | Yes |
| Automatic safety disconnection | Yes | Yes | Yes | Yes | Yes | Yes | Yes |
| Protection against liquid spillage | Yes | Yes | Yes | Yes | Yes | Yes | Yes |
| Electrical connection | | | | | | | |
| Nominal voltage (V) | 220-240 | 220-240 | 220-240 | 220-240 | 220-240 | 220-240 | 220-240 |
| Mains frequency (Hz) | 50-60 | 50-60 | 50-60 | 50-60 | 50-60 | 50-60 | 50-60 |
| Maximum power of the appliance (kW) | 7.53 | 11 | 11 | 9 | 7.2 | 7,2 | 7.1 |

| 4133 | 4131 | 4126 | 4110 | 4111 | 4112 | 4166 | 4160 | 4117 |
|---------------------|---------------------|---------------------|---------------------|---------------------|---------------------|---------------------|---------------------|------------------|
| 8422248350105 | 8422248350112 | 8435025741263 | 8435025741102 | 8435025741119 | 8435025741126 | 8435025741669 | 8435025741601 | 8435025741171 |
| NorCook IH N6286 BK | NorCook IH N6286 SW | NorCook IH N7003 BK | NorCook IH N3200 BK | NorCook IH N7703 BK | NorCook IH N7502 BK | NorCook VH N6400 BK | NorCook VH N3201 BK | NorCook VH N7502 |
| Induction | Induction | Induction | Induction | Induction | Induction | Radiant | Radiant | Radiant |
| 3 | 3 | 3 | 2 | 3 | 2 | 4 | 2 | 2 |
| | | 220 | 210x200 | - | - | 180 | - | - |
| | | 2,3 | 1.6 | - | - | 1,8 | - | - |
| | | 3 | 1.85 | - | - | - | - | - |
| | | 183 | 182.9 | - | - | 191,3 | - | - |
| 280/180 | 280/180 | - | 210x200 | 270 | 220 | 140 | - | 180 |
| 3/1.5 | 3/1.5 | - | 2.1 | 2,3 | 2,3 | 1,2 | - | 1,8 |
| 3.6/1.8 | 3.6/1.8 | - | 3 | 3 | 3 | - | - | - |
| 175.4 | 175.4 | - | 182.7 | 187,2 | 176,3 | 194,1 | - | 146,2 |
| | | - | - | - | - | - | 159 | - |
| | | - | - | - | - | - | 1,2 | - |
| | | - | - | - | - | - | - | - |
| | | - | - | - | - | - | 190,5 | - |
| | | 180 | - | 180 | - | - | 190/120 | - |
| | | 1,4 | - | 1,4 | - | - | 2,0/1,0 | - |
| | | - | - | - | - | - | - | - |
| | | 181 | - | 184,9 | - | - | 181,3 | - |
| 210 | 210 | 180 | - | 220 | - | 140 | - | - |
| 2.3 | 2.3 | 1,4 | - | 2,3 | - | 1,2 | - | - |
| 2.6 | 2.6 | - | - | 3 | - | - | - | - |
| 186.6 | 186.6 | 181 | - | 176,3 | - | 187,7 | - | - |
| 160 | 160 | - | - | - | 270 | 180 | - | 270/210 |
| 1.2 | 1.2 | - | - | - | 2,3 | 1,8 | - | 2,4/1,5 |
| 1.5 | 1.5 | - | - | - | 3 | - | - | - |
| 194.8 | 194.8 | - | - | - | 187,2 | 183,4 | - | 193,5 |
| 187.2 | 187.2 | 181,7 | 182.8 | 182,8 | 182,7 | 189,1 | 185,9 | 169,8 |
| | | | | | | | | |
| 590 | 590 | 700 | 298 | 770 | 750 | 590 | 290 | 750 |
| 520 | 520 | 350 | 520 | 390 | 450 | 520 | 520 | 450 |
| 60 | 60 | 74 | 76 | 68 | 68 | 67 | 65 | 67 |
| 565 | 565 | 680 | 275 | 750 | 710 | 560 | 265 | 710 |
| 495 | 495 | 330 | 500 | 370 | 410 | 490 | 495 | 410 |
| 5 | 5 | 5 | 5 | 5 | 5 | - | - | - |
| Quick-Fix System | Quick-Fix System | Quick-Fix System | Quick-Fix System | Quick-Fix System | Quick-Fix System | Quick-Fix System | Quick-Fix System | Quick-Fix System |
| | | | | | | | | |
| Black | Black | Black | Black | Black | Black | Black | Black | Black |
| Front bevel | Front bevel | Front bevel | Front bevel | Front bevel | Front bevel | Rounded | Rounded | Front bevel |
| | | | | | | | | |
| Hidden slider | Hidden slider | Mono Slider Touch | Touch | Touch | Mono Slider Touch | Touch | Touch | Touch |
| Centralised | Centralised | Centralized | Centralised | Centralized | Centralized | Centralized | Centralized | Centralized |
| 9 + 2xBooster | 9 + 2xBooster | 9 + Booster | 9 + Booster | 9 + Booster | 9 + Booster | 9 | 9 | 9 |
| Yes | Yes | Yes | Yes | Yes | Yes | Yes | Yes | - |
| Yes | Yes | Yes | Yes | Yes | Yes | Yes | Yes | - |
| Yes | Yes | No | No | No | No | No | No | No |
| | | | | | | | | |
| Yes | Yes | Yes | Yes | Yes | Yes | Yes | Yes | Yes |
| Yes | Yes | Yes | Yes | Yes | Yes | Yes | Yes | Yes |
| Yes | Yes | Yes | Yes | Yes | Yes | No | No | - |
| Yes | Yes | Yes | Yes | Yes | Yes | Yes | Yes | Yes |
| Yes | Yes | Yes | Yes | Yes | Yes | Yes | Yes | Yes |
| | | | | | | | | |
| 220-240 | 220-240 | 220-240 | 220-240 | 220-240 | 220-240 | 220-240 | 220-240 | 220-240 |
| 50-60 | 50-60 | 50/60 | 50/60 | 50/60 | 50/60 | 50-60 | 50-60 | 50/60 |
| 7.1 | 7.1 | 5,8 | 3.7 | 6,7 | 6 | 6 | 3,2 | 4,2 |

| Code | 4123 | 4124 | 4165 | 4164 | 4163 |
|---|---------------------|---------------------|---------------|---------------|---------------|
| EAN | 8435025741232 | 8435025741249 | 8422248360173 | 8422248360159 | 8422248360166 |
| Model | NorCook GH 7830 GBK | NorCook GH 7820 GBK | GH 8632 GBK | GH 6032 GBK | GH N3012 GBK |
| Type (Glass/Stainless Steel/Enamel) | Glass | Glass | Glass | Glass | Glass |
| Product card | | | | | |
| Prepared for natural gas | Yes | Yes | Yes | Yes | Yes |
| Prepared for butane gas | No | No | No | No | No |
| No. burners | 3 | 2 | 3 | 3 | 1 |
| Triple Crown Power [kW] | 5 | 5 | 3.5 | 3.5 | 3.5 |
| Fast Power [kW] | - | - | - | - | - |
| Semi-Fast Power 1 [kW] | - | - | 1.75 | 1.75 | - |
| Semi-Fast Power 2 [kW] | - | - | - | - | - |
| Auxiliary Power [kW] | 1,5 | - | - | 1 | - |
| Triple Crown Consumption [L/h] | 475 | 475 | - | 333 | - |
| Fast Consumption [L/h] | - | - | - | - | - |
| Semi-Fast Consumption 1 [L/h] | - | - | - | 166 | - |
| Semi-Fast Consumption 2 [L/h] | - | - | - | - | - |
| Auxiliary Consumption [L/h] | 143 | - | 143 | 95 | - |
| Hob consumption [L/h] | 1093 | 950 | 1093 | 594 | - |
| Burner energy efficiency (gas burner EE) | - | - | - | - | - |
| Hob energy efficiency (gas hob EE) | - | - | - | - | - |
| Dimensions | | | | | |
| Appliance width [mm] | 780 | 780 | 860 | 590 | 300 |
| Appliance depth [mm] | 450 | 450 | 450 | 520 | 520 |
| Appliance height [mm] | 70 | 70 | 70 | 70 | - |
| Gap width [mm] | 700 | 700 | 700 | 555 | - |
| Gap depth [mm] | 390 | 390 | 390 | 474 | - |
| Fixing system | clips | clips | clips | clips | clips |
| Characteristics | | | | | |
| Electrical switch-on built into control | Yes | Yes | Yes | Yes | Yes |
| Illuminated controls | No | No | Yes | No | No |
| Nselect flame regulation | No | No | Yes | No | No |
| Connectivity | Yes | Yes | Yes | Yes | No |
| Enamel burners / grills | No | No | No | No | No |
| Cast iron burners / grills | Yes | Yes | Yes | Yes | Yes |
| Safety | | | | | |
| Safety valve | Yes | Yes | Yes | Yes | Yes |
| Electrical connection | | | | | |
| Nominal voltage [V] | 220-240 | 220-240 | 220-240 | 220-240 | 220-240 |
| Mains frequency [Hz] | 50-60 | 50-60 | 50-60 | 50-60 | 50-60 |
| Power of the appliance [kW] | 11,5 | 10 | 8.75 | 6.25 | 3.5 |
| Accessories | | | | | |
| Natural-butane / butane-natural conversion kit (included) | Yes | Yes | Yes | Yes | Yes |

| Code | 8592 | 8602 | 4214 | 4205 | 4213 |
|--|---------------------|------------------|-----------------|-------------------|-------------------------|
| EAN | 8422248110822 | 8435025786028 | 8422248349857 | 8435025742055 | 8422248349741 |
| Model | INFINITY 178 TNF SS | TWIN 189 TNF GDB | HAIL 201 NF GDB | HAIL 201 TNF INOX | TUNDRA TNF 177 BI SL /B |
| Finish | Stainless steel | Black | Black | Stainless steel | Built-in |
| Product card according to EU Regulation 2019/2016 | | | | | |
| Category | | 7 | | | |
| Energy efficiency class | E | E | E | D | E |
| Energy consumption [kWh/year] | 330 | 314 | 247 | 192 | 137 |
| Refrigerator useful volume [l] | 379 | 347 | 238 | 246 | 280 |
| Freezer useful volume **** [l] | 213 | 187 | 98 | 83 | - |
| Star rating | 4 | 4 | 4 | 4 | - |
| Frost-free refrigerator | Yes | Yes | Yes | Yes | Yes |
| Frost-free freezer | Yes | Yes | Yes | Yes | - |
| Autonomy [h] | 12 | 14 | 10 | | - |
| Freezing capacity [kg/24h] | | 12 | 6 | 4 | - |
| Climate class (2) | SN-N-ST-T | SN-N-ST-T | SN-N-ST-T | N-ST | ST |
| Noise emission [dBA] | 41 | 41 | 39 | 41 | 41 |
| Installation type | Free standing | Free standing | Free standing | Free standing | Integrated |
| Dimensions | | | | | |
| Height [mm] | 1775 | 1898 | 2004 | 2010 | 1776 |
| Width [mm] | 910 | 833 | 595 | 595 | 540 |
| Depth [mm] | 698 | 685 | 590 | 630 | 550 |
| Direction of door opening | Left/Right | Left/Right | Right | Right | Right |
| Reversible doors | No | No | Yes | Yes | Yes |
| Wheels | Yes | Yes | Yes | Yes | - |
| External / built-in handle | External handle | Integrated | Integrated | External handle | - |
| Control | | | | | |
| Cold type | Norfröst | Norfröst | Norfröst | Norfröst | Norfröst |
| Control | Electronic | Electronic | Electronic | Electronic | Electronic |
| Display | Yes | Yes | Yes | Yes | Yes |
| Electronic regulation of refrigerator temperature | Yes | Yes | Yes | Yes | Nfreshzone |
| Electronic regulation of freezer temperature | Yes | Yes | Yes | Yes | |
| Super cooling - super freeze function | Nchilly/Nsubzero | Nchilly/Nsubzero | - / Nsubzero | Nchilly/Nsubzero | Nchilly/ - |
| Holiday function | Nsave | Nsave | Nsave | Nsave | - |
| Summer-winter function | - | - | - | - | - |
| Accessories in refrigerator | | | | | |
| Number of door shelves | 4 | 6 | 4 | 4 | 4 |
| Number of glass shelves | 3 | 3 | 3 | 3 | 4 |
| Bottle rack | - | - | Yes | | Yes |
| Drawer for fruit and vegetables | Ngreenbox | Ngreenbox | Ngreenbox | Ngreenbox | |
| Drawer for meat and fish | | Nlifebox | | Nlifebox | |
| Internal metal finishes | | Yes | | | Yes |
| Number of egg holders - Egg capacity | 1-8 | 1-6 | 2-6 | | 1-6 |
| Accessories in freezer | | | | | |
| Number of drawers - closed drawers | 2 | 2 | 3 | 3 | 3 |
| Ice cube holders - Ice capacity | 1-12 | 1-12 | 1-12 | | |
| Lighting | | | | | |
| Lighting in refrigerator - freezer | Yes / Yes | Yes / - | Yes / - | Yes / - | Yes |
| LED lighting | Yes | Yes / - | Yes / - | Yes | Yes |
| Electrical and water connection | | | | | |
| Nominal voltage [V] | 220-240 | 220-240 | 220-240 | 220-240 | 220-240 |
| Frequency [Hz] | 50 | 50 | 50 | 50 | 50 |
| Nominal power [W] | 218 | 190 | 150 | 190 | |
| Nominal current [A] | 1.9 | 0.7 | 0.6 | | 0.8 |
| Plug type | Schuko | Schuko | Schuko | Schuko | Schuko |
| Cable length [mm] | | 1700 | 2000 | | |

(1) According to results obtained in the standard 24-hour test set out in Standard EN 62552. Energy consumption depends on the appliance's conditions of use and its location. (2) Types of climate. SN: room temperature of +10°C up to +32°C. N: room temperature of +16°C up to +32°C. ST: room temperature of +16°C up to +38°C. T: room temperature of +16°C up to +43°C.

| 4212 | 4206 | 4210 | 8579 | 4211 | 4209 | 4207 | 4208 |
|---------------------|--------------------|--------------------|------------------|-----------------------|---------------|---------------|---------------|
| 8422248349734 | 8422248343176 | 8422248349703 | 8435025785793 | 8422248349727 | 8422248349697 | 8422248343954 | 8422248343961 |
| ICE TNF 177 BI SL/B | HAIL 193 TNF BI 70 | HAIL 193 TNF BI SL | HAIL TNF 177 BI | HAIL 177 TNF BI SL /B | HAIL 82 BI SL | TUNDRA 82 BI | ICE 82 BI |
| Built-in | Built-in | Built-in | Built-in | Built-in | Built-in | Built-in | Built-in |
| | | | 7 | | | | |
| E | E | E | E | E | E | E | E |
| 231 | 250 | 206 | 185 | 294 | 147 | 92 | 176 |
| - | 257 | 225 | 168 | 170 | 95 | 135 | - |
| 200 | 84 | 56 | 68 | 67 | 16 | - | 95 |
| 4 | 4 | 4 | 4 | 4 | 4 | - | 4 |
| - | Yes | Yes | Yes | Yes | - | - | - |
| Yes | Yes | Yes | Yes | Yes | - | - | - |
| | | | 15 | | | | |
| 9 | 3.8 | 2.6 | 3.5 | 3.2 | 2.6 | - | 4.5 |
| ST | ST | ST | SN/N/ST | ST | ST | ST | ST |
| 41 | 41 | 41 | 42 | 41 | 40 | 40 | 40 |
| Integrated | Integrated | Integrated | Integrated | Integrated | Integrated | Integrated | Integrated |
| | | | | | | | |
| 1776 | 1937 | 1937 | 1770 | 1776 | 820 | 820 | 820 |
| 540 | 690 | 540 | 540 | 540 | 596 | 596 | 596 |
| 545 | 550 | 545 | 545 | 550 | 550 | 550 | 550 |
| Right | Right | Right | Right | Right | Right | Right | Right |
| Yes | Yes | Yes | Yes | Yes | Yes | Yes | Yes |
| - | - | - | - | - | - | - | - |
| - | - | - | - | - | - | - | - |
| | | | | | | | |
| Norfrst | Norfrst | Norfrst | Norfrst | Norfrst | | Norfrst | |
| Electronic | Electronic | Electronic | Electronic | Electronic | Electronic | Electronic | Electronic |
| Yes | Yes | Yes | Yes | Yes | - | - | - |
| - | Nfreshzone | Nfreshzone | Nfreshzone | Nfreshzone | Nfreshzone | Nfreshzone | |
| Yes | Yes | Yes | Yes | Nfreshzone | Nfreshzone | | Nfreshzone |
| - / Nsubzero | Nchilly/Nsubzero | Nchilly/Nsubzero | Nchilly/Nsubzero | Nchilly/Nsubzero | - | - | - / Nsubzero |
| - | Nsave | Nsave | Nsave | Nsave | - | - | - |
| - | | | | | | | |
| | | | | | | | |
| | 4 | 4 | 3 | 3 | 2 | 2 | |
| | 5 | 4 | 3 | 4 | 1 | 2 | |
| | | Yes | Yes | Yes | | | |
| | Ngreenbox | Ngreenbox | Ngreenbox | Ngreenbox | Ngreenbox | Ngreenbox | |
| | Nlifebox | Nlifebox | | Nlifebox | | | |
| | Yes | Yes | | Yes | Yes | | Yes |
| | 1-6 | 1-6 | 1-7 | 1-6 | 1-6 | 1-6 | |
| | | | | | | | |
| 7 / 7 | 4 / 0 | 3 | 3 | 3 | 1 | | 3 |
| | | | 1-12 | | | | |
| | | | | | | | |
| | Yes / - | Yes / - | Yes / - | Yes / - | Yes / - | Yes / - | - |
| | Yes | Yes | Yes | Yes | Yes | Yes | - |
| | | | | | | | |
| 220-240 | 220-240 | 220-240 | 220-240 | 220-240 | 220-240 | 220-240 | 220-240 |
| 50 | 50 | 50 | 50 | 50 | 50 | 50 | 50 |
| | | | | | | | |
| 0.8 | 0.8 | 0.8 | 0.55 | 0.8 | 0.8 | 0.8 | 0.8 |
| Schuko | Schuko | Schuko | Schuko | Schuko | Schuko | Schuko | Schuko |

| Code | 8711 | 8709 | 8710 |
|---|-----------------------|---------------------|---------------------|
| EAN | 8422248110792 | 8435025787094 | 8435025787100 |
| Model | DW 6145 I PRO | DW6141 I SL | DW4611 I SL |
| Finish | Integrated | Integrated | Integrated |
| Product card according to EU Regulation 2019/ 2022 - 2019/2017 | | | |
| Model description | Norcare DW 6145 I PRO | NorCare DW6141 I SL | NorCare DW4611 I SL |
| Nominal capacity (ps) | 16 | 14 | 10 |
| Height (cm) | 81.5 | 81.5 | 81.5 |
| Width (cm) | 59.8 | 59.8 | 44.8 |
| Depth (cm) | 55 | 55 | 55 |
| Energy efficiency index | 37.9 | 49.9 | 49.9 |
| Energy efficiency class (1) | B | D | D |
| Cleaning performance index (IC) | 1.13 | 1.13 | 1.13 |
| Drying performance index (ID) | 1.07 | 1.07 | 1.07 |
| Energy consumption in kWh (per cycle) based on the ECO programme | 0.67 | 0.849 | 0.674 |
| Energy consumption in kWh (per 100 cycles) based on the ECO programme | 67 | 84 | 67 |
| Water consumption in litres (per cycle) based on the ECO programme | 9.3 | 11 | 9 |
| Duration of the ECO programme (tt) (h:min) | 3:35 | 3:18 | 3:58 |
| Type | Integrated | Integrated | Integrated |
| Noise emissions (dBA) | 42 | 47 | 42 |
| Noise emission class | B | D | B |
| Energy consumption in Off mode (Po) (W) | 0.49 | 0.49 | 0.49 |
| Energy consumption in Standby mode (Psm) (W) | - | - | - |
| Delay (W) (if applicable) | 1 | 1 | 1 |
| Waiting for mains (W) (if applicable) | - | - | - |
| Product dimensions | | | |
| Min/max height [mm] | 815-865 | 815-865 | 815-865 |
| Width [mm] | 598 | 598 | 448 |
| Depth [mm] | 550 | 550 | 550 |
| Adjustable feet | Yes | Yes | Yes |
| Unit and door dimensions | | | |
| Minimum gap height [mm] | 820 | 820 | 820 |
| Minimum gap width [mm] | 450 | 600 | 450 |
| Minimum gap depth [mm] | 580 | 580 | 580 |
| Max. door height (for integrated) [mm] | 800 | 800 | 800 |
| Sliding door | | Nmove | Nmove |
| Control panel | | | |
| Display / LED | Yes | Yes | Yes |
| Restock salt indicator | Yes | Yes | Yes |
| Restock polish indicator | Yes | Yes | Yes |
| Time remaining indicator | Yes | Yes | Yes |
| Deferred programming [h] | 1-24 h | 1-24 h | 1-24 h |
| Programmes and functions | | | |
| Number of programmes | 9 | 7 | 7 |
| Nhygiene [°C-min] | 72°C, 225 min | | |
| Nwhisper [°C-min] | 60°C, 230 min | | |
| Nquick&dry [°C-min] | 60°C, 55 min | | |
| Nself-cleaning [°C-min] | 70°C, 115 min | | |
| Nstorm [°C-min] | | 65°C / 205 min | 65°C / 205 min |
| Ndaily [°C-min] | | 55°C / 175 min | 55°C / 175 min |
| Nsave [°C-min] (2) | 49°C, 215 min | 45°C / 235 min | 50°C / 198 min |
| Nquick [°C-min] | 60°C / 90 min | 55°C / 90 min | 55°C / 90 min |
| Ncare [°C-min] | | 50°C / 120 min | 50°C / 120 min |
| Nquick+ [°C-min] | 55°C / 35 min | 40°C / 30 min | 40°C / 30 min |
| Nfresh [min] | 14 min | 15 min | - |
| Nclean [°C-min] | 55-65°C, 102-175 min | | 55-65°C, 85-150 min |
| Start/stop function | Yes | Yes | Yes |
| Half-load function | Nby2 | Nby2 | Nby2 |
| Extra drying function | Yes | | Yes |
| Accessories | | | |
| Third full tray | Yes | Yes | Yes |
| Height adjustable top tray | Npush | Npush | Npush |
| Top tray with foldable mug supports | Yes | Yes | Yes |
| Top/bottom tray with foldable rods | Yes | Yes | Yes |
| Type of detergent dispenser | Nslider | Nslider | Nslider |
| Other characteristics | | | |
| Motor | BLDC Inverter | Standard | Standard |
| Automatic door opening | Yes | Yes | |
| Suitable for all-in-one detergent | Yes | Yes | Yes |
| Type of interior | Stainless steel | Stainless steel | Stainless steel |
| Safety | | | |
| Child safety | - | - | - |
| Overflow protection | N3protect | N3protect | N3protect |
| Overheating protection | N3protect | N3protect | N3protect |
| Electrical and water connection | | | |
| Nominal voltage [V] | 220-240 | 220-240 | 220-240 |
| Mains frequency [Hz] | 50 | 50 | 50 |
| Nominal power [W] | 1828-2158 | 1760-2100 | 1760-2100 |
| Nominal current [A] | | 8-8.75 | 8-8.75 |
| Plug type | Schuko | Schuko | Schuko |
| Cable length [mm] | | 1500 | 1500 |
| Water inlet pipe length [mm] | 1500 | 1500 | 1500 |
| Drainage pipe length [mm] | 1750 | 1400 | 1400 |

(1) Classes range from A (most efficient) to G (least efficient).
(2) This programme is suitable for washing dishes with a normal level of dirtiness and is the most efficient in terms of energy and water consumption combined.

WASHING MACHINES

| | | |
|--|---------------------|---------------------|
| Code | 4198 | 4199 |
| EAN | 8435025741980 | 8,43503E+12 |
| Model | WD1480 I | WM1480 I |
| Finish | Integrated | Integrated |
| Product card according to EU Regulation 2019/2023 | | |
| Model description | NorCare WD1480 I | NorCare WM1480 I |
| Nominal capacity (kg) | 8-6 | 8 |
| Height (cm) | 83 | 83 |
| Width (cm) | 60 | 60 |
| Depth (cm) | 54 | 54 |
| Energy efficiency index | 60-78.4 | 60 |
| Energy efficiency class (1) | B-E | B |
| Cleaning performance index | 1.04 - 1.04 | 1.04 |
| Rinse efficiency | 5 - 5 | 5 |
| Energy consumption in kWh (per cycle) based on the ECO programme | 0.545 - 3.6 | 0.545 |
| Water consumption in litres (per cycle) based on the ECO programme | 48 - 90 | 48 |
| Maximum temperature inside fabric (°C) - Nominal capacity | 38 | 37 |
| Maximum temperature inside fabric (°C) - Half capacity | 38 | 33 |
| Maximum temperature inside fabric (°C) - Quarter capacity | 21 | 23 |
| Residual moisture content (%) - Nominal capacity | 53 | 53 |
| Residual moisture content (%) - Half capacity | 53 | 53 |
| Residual moisture content (%) - Quarter capacity | 53 | 53 |
| Spin speed (rpm) - Nominal capacity | 1400 | 1400 |
| Spin speed (rpm) - Half capacity | 1400 | 1400 |
| Spin speed (rpm) - Quarter capacity | 1400 | 1400 |
| Drying-centrifuging efficiency class (2) | B | B |
| Programme duration (h:m) - Nominal capacity | 3 : 38 - 9:30 | 3 : 38 |
| Programme duration (h:m) - Half capacity | 2 : 48 - 6:40 | 2 : 48 |
| Programme duration (h:m) - Quarter capacity | 2 : 48 | 2 : 48 |
| Type | Integrated | Integrated |
| Acoustic noise emission during centrifuging phase (dBA) | 76 | 76 |
| Noise emission class (spin phase) | B | B |
| Off mode (W) | 0.50 | 0.50 |
| Standby mode (W) | 1 | 1 |
| Delay start (W) | 4 | 4 |
| Product dimensions | | |
| Min/max height [mm] | 830/850 | 830/850 |
| Width [mm] | 590 | 590 |
| Depth [mm] | 540 | 540 |
| Adjustable feet | Yes | Yes |
| Unit and door dimensions | | |
| Minimum gap height [mm] | 840 | 840 |
| Minimum gap width [mm] | 600 | 600 |
| Minimum gap depth [mm] | 580 | 580 |
| General characteristics | | |
| Load type | Front | Front |
| Motor type | Silence Inverter | Silence Inverter |
| Hatch size [cm] | 31 | 31 |
| Drum type | Stainless steel | Stainless steel |
| Filter type | Accessible | Accessible |
| Foam reduction system | Accessible | Accessible |
| Load self-balancing | Yes | Yes |
| Control | | |
| Control type | LED digital display | LED digital display |
| Independent wash temperature selection | Yes | Yes |
| Independent centrifuging speed selection | Yes | Yes |
| Deferred programming [h] | Yes | Yes |
| Start/pause button | Yes | Yes |
| Time remaining indicator | Yes | Yes |
| Washing phases indicator | Yes | Yes |
| Programmes | | |
| No. washing programmes | 16 | 16 |
| Cotton | Yes | Yes |
| Synthetic | Yes | Yes |
| Delicate | Yes | Yes |
| ECO | Yes | Yes |
| Wool | Yes | Yes |
| Hand wash | Yes | Yes |
| Quick [min] | Yes | Yes |
| Mixed | Yes | Yes |
| Sports clothes | Yes | Yes |
| Baby clothes | Yes | Yes |
| Customised | Yes | Yes |
| Special functions | | |
| Pre-wash | Yes | Yes |
| Extra rinse | Yes | Yes |
| Safety | | |
| Child safety lock | Yes | Yes |
| Anti-overflow safety | Yes | Yes |
| Electrical and water connection | | |
| Nominal voltage [V] | 220-240 | 220-240 |
| Mains frequency [Hz] | 50 | 50 |
| Nominal power [W] | 1900 | 1950 |
| Nominal current [A] | 10 | 10 |
| Plug type | Schuko | Schuko |
| Cable length [mm] | 1.5 | 1.5 |
| Water inlet pipe length [mm] | 1 | 1 |
| Drainage pipe length [mm] | 1.6 | 1.6 |

(1) On a scale of A (most efficient) to G (least efficient).
(2) On a scale of A (most efficient) to G (least efficient).

WINE COOLERS

| | | | |
|--|------------------------------|------------------------------|------------------------------|
| Code | 4153 | 4157 | 4151 |
| EAN | 8422248348386 | 8422248348461 | 8422248348225 |
| Model | VC 4600 MB | VC 4600 SS | VC 4600 DB |
| Finish | Matte black | Stainless steel | Black |
| Product card according to EU Regulation 2019/2016 | | | |
| Category | Compressor wine cooler | Compressor wine cooler | Compressor wine cooler |
| Energy efficiency class | G | G | G |
| Energy consumption [kWh/year] | 118 | 118 | 118 |
| Refrigerator useful volume [bottles] | 24 | 24 | 24 |
| Climate class | | | |
| Noise emission [dBA] | 39 | 39 | 39 |
| Installation type | Integrated | Integrated | Integrated |
| Control and performance | | | |
| Refrigeration system | Compressor | Compressor | Compressor |
| Display | Touch display on front panel | Touch display on front panel | Touch display on front panel |
| Wine cooler lighting | LED | LED | LED |
| Temperature zones | 1 | 1 | 1 |
| Temperature range (°C) | 5-20 | 5-20 | 5-20 |
| Storage levels | 4 | 4 | 4 |
| Capacity (bottles) | 22 | 22 | 22 |
| Direction of door opening | Hinged door | Hinged door | Hinged door |
| Reversible doors | No | No | No |
| Adjustable feet | No | No | No |
| Dimensions | | | |
| Height [mm] | 455 | 455 | 455 |
| Width [mm] | 595 | 595 | 595 |
| Depth [mm] | 538 | 538 | 538 |
| Unit dimensions | | | |
| Minimum gap height [mm] | 450 | 450 | 450 |
| Minimum gap width [mm] | 561 | 561 | 561 |
| Minimum gap depth [mm] | 560 | 560 | 560 |
| Electrical connection | | | |
| Nominal voltage [V] | 220-240 | 220-240 | 220-240 |
| Frequency [Hz] | 50 | 50 | 50 |
| Nominal power [W] | | | |
| Plug type | Schuko | Schuko | Schuko |
| Cable length [mm] | 2000 | 2000 | 2000 |

Note (!) The ventilation channel must be created even if the wine cooler is installed between appliances and/or cupboards. Install the vents on the bottom and top of the entire column.

TAPS

| | | | | |
|--|---------------------|---------------------|---------------------|---------------------|
| Code | 4095 | 4096 | 4098 | 4099 |
| EAN | 8435025740952 | 8435025740969 | 8435025740983 | 8435025740990 |
| Model | BLACKBIRD BK | BLACKBIRD WH | ROBIN BK | ROBIN SS |
| Dimensions | | | | |
| Dimensions (diameter, length) of spout tubing [", mm] | M10*G3/8*500mm | M10*G3/8*500mm | M10*G3/8*500mm | M10*G3/8*500mm |
| Product dimensions (height x width x depth) [mm] | 535x100x265 | 535x100x265 | 280x265x100 | 280x265x100 |
| GENERAL CHARACTERISTICS | | | | |
| Type of mixer | Single-lever | Single-lever | Single-lever | Single-lever |
| Material | Stainless steel 304 | Stainless steel 304 | Stainless steel 304 | Stainless steel 304 |
| Lever material | Stainless steel 304 | Stainless steel 304 | Stainless steel 304 | Stainless steel 304 |
| Spout tube material | Plastic | Plastic | - | - |
| Finish style | Satin | Satin | Satin | Satin |
| Installation location | Sink, Worktop | Sink, Worktop | Sink, Worktop | Sink, Worktop |
| Details of spout and lever | | | | |
| Type of spout | High | High | High | High |
| Spout form | Semi-professional | Semi-professional | L-shape | L-shape |
| Detachable spout | Yes | Yes | No | No |
| Rotating lever | 360° | 360° | 360° | 360° |
| Tap aerator | Yes | Yes | Yes | Yes |
| Shower function | Yes | Yes | No | No |
| Type of lever | Handle | Handle | Handle | Handle |
| Lever position | Right side | Right side | Right side | Right side |
| Accessories | | | | |
| Type of cartridge | Ceramic | Ceramic | Ceramic | Ceramic |
| Stabiliser triangle | Yes | Yes | Yes | Yes |
| Coloured handle | No | No | Black | No |

| | 4155 | 4184 | 4185 | 4191 | 4190 |
|--|------------------------------|------------------------------|------------------------------|------------------------------|------------------------------|
| | 8422248348300 | 8435025741843 | 8422248111294 | 8422248101820 | 8422248101813 |
| | VC 4600 SW | VC 4800 DB /A | VC 4800 SW | V36 BK | V28BK |
| | White | Black | White | Black | Black |
| | Compressor wine cooler | Compressor wine cooler | Compressor wine cooler | Compressor wine cooler | Compressor wine cooler |
| | G | F | F | G | G |
| | 118 | 99 | 99 | 140 | 135 |
| | 24 | 24 | 24 | 36 | 28 |
| | | SN-N-ST | SN-N-ST | SN-N-ST | SN-N-ST |
| | 39 | 43 | 43 | 41 | 40 |
| | Integrated | Integrated | Integrated | Integrated | Integrated |
| | Compressor | Compressor | Compressor | Compressor | Compressor |
| | Touch display on front panel | Touch display on front panel | Touch display on front panel | Touch display on front panel | Touch display on front panel |
| | LED | LED | LED | LED | LED |
| | 1 | 1 | 1 | 2 | 1 |
| | 5-20 | 5-20 | 5-20 | 5-22 | 5-20 |
| | 4 | 4 | 4 | 4 | 3 |
| | 22 | 24 | 24 | 36 | 28 |
| | Hinged door | Hinged door | Hinged door | Right | Right |
| | No | No | No | Yes | Yes |
| | No | No | No | Yes | Yes |
| | 455 | 455 | 455 | 595 | 455 |
| | 595 | 595 | 595 | 590 | 590 |
| | 538 | 533 | 533 | 545 | 545 |
| | 450 | 450 | 450 | 590 | 450 |
| | 561 | 565 | 565 | 560 | 560 |
| | 560 | 555 | 555 | 550 | 550 |
| | 220-240 | 220-240 | 220-240 | 220-240 | 220-240 |
| | 50 | 50 | 50 | 50 | 50 |
| | | 80 | 80 | 65 | 65 |
| | Schuko | Schuko | Schuko | Schuko | Schuko |
| | 2000 | 1200 | 1200 | 1500 | 1500 |

| | 4100 | 4134 | 4135 | 4136 |
|--|---------------------|---------------------|---------------------|---------------------|
| | 8435025741003 | 8435025741348 | 8435025741355 | 8435025741362 |
| | ROBIN CU | HERON CROMO | HERON WHITE | HERON BLACK |
| | M10*G3/8*500mm | M10*G3/8*500mm | M10*G3/8*500mm | M10*G3/8*500mm |
| | 280x265x100 | 390 x 195 x 45 mm | 390 x 195 x 45 mm | 390 x 195 x 45 mm |
| | Single-lever | Single-lever | Single-lever | Single-lever |
| | Stainless steel 304 | Stainless steel 305 | Stainless steel 306 | Stainless steel 307 |
| | Stainless steel 304 | Stainless steel 305 | Stainless steel 306 | Stainless steel 307 |
| | - | | | |
| | Satin | Chrome | White paint | Black paint |
| | Sink, Worktop | Sink, Worktop | Sink, Worktop | Sink, Worktop |
| | High | High | High | High |
| | L-shape | L-shape | L-shape | L-shape |
| | No | No | No | No |
| | 360° | 360° | 360° | 360° |
| | Yes | Yes | Yes | Yes |
| | No | No | No | No |
| | Handle | Handle | Handle | Handle |
| | Right side | Right side | Right side | Right side |
| | Ceramic | Ceramic | Ceramic | Ceramic |
| | Yes | | | |
| | Copper | Chrome | White | Black |

| Code | 4058 | 4060 | 4059 | 4079 |
|--|------------------|------------------|------------------|------------------|
| EAN | 8435025740587 | 8435025740600 | 8435025740594 | 8435025740792 |
| Model | 78.50 1B 1D BK | 78.50 1B 1D WH | 78.50 1B 1D BG | 78.50 1B BK |
| Dimensions | | | | |
| Unit size (length x width) [mm] | 765 mm x 485 mm | 765 mm x 485 mm | 765 mm x 485 mm | 764 mm x 494 mm |
| Dimensions (height x width x depth) [mm] | 780 mm X 500 mm | 780 mm X 500 mm | 780 mm X 500 mm | 780 mm X 510 mm |
| General characteristics | | | | |
| Type | Top-mount | Top-mount | Top-mount | Top-mount |
| Material | Quartz composite | Quartz composite | Quartz composite | Quartz composite |
| Bowl thickness [mm] | 7 | 7 | 7 | 7 |
| Colour | Black | White | Beige | Black |
| Bowl and drainboard details | | | | |
| Number of bowls | 1 | 1 | 1 | 1 |
| Bowl shape | Square | Square | Square | Square |
| Drainboard | Yes | Yes | Yes | No |
| Orifice for tap | No, internal lip | No, internal lip | No, internal lip | No, internal lip |
| Accessories | | | | |
| Drain valve type | Round 3 1/2" | Round 3 1/2" | Round 3 1/2" | Round 3 1/2" |
| Number of drain valves | 1 | 1 | 1 | 1 |
| Overflow tube | Yes | Yes | Yes | Yes |

| Code | 4083 | 4088 | 4090 | 4089 |
|--|---|---|---|---|
| EAN | 8435025740839 | 8435025740884 | 8435025740907 | 8435025740891 |
| Model | 45.40 1B BG | 40.40 1B BK | 40.40 1B WH | 40.40 1B BG |
| Dimensions | | | | |
| Unit size (length x width) [mm] | 518x442 (top-mount) 468x390 (undermount) | 407x407 (top-mount) 362x362 (undermount) | 407x407 (top-mount) 362x362 (undermount) | 407x407 (top-mount) 362x362 (undermount) |
| Dimensions (height x width x depth) [mm] | 533x457 | 423x423 | 423x423 | 423x423 |
| General characteristics | | | | |
| Type | Top-mount/undermount | Top-mount/undermount | Top-mount/undermount | Top-mount/undermount |
| Material | Quartz composite | Quartz composite | Quartz composite | Quartz composite |
| Bowl thickness [mm] | 7 | 7 | 7 | 7 |
| Colour | Beige | Black | White | Beige |
| Bowl and drainboard details | | | | |
| Number of bowls | 1 | 1 | 1 | 1 |
| Bowl shape | Square | Square | Square | Square |
| Drainboard | No | No | No | No |
| Orifice for tap | No | No | No | No |
| Accessories | | | | |
| Drain valve type | Round 3 1/2" | Round 3 1/2" | Round 3 1/2" | Round 3 1/2" |
| Number of drain valves | 1 | 1 | 1 | 1 |
| Overflow tube | Yes | Yes | Yes | Yes |

| 4081 | 4080 | 4085 | 4087 | 4086 | 4082 | 4084 |
|------------------|------------------|---|---|---|---|---|
| 8435025740815 | 8435025740808 | 8435025740853 | 8435025740877 | 8435025740860 | 8435025740822 | 8435025740846 |
| 78.50 1B WH | 78.50 1B BG | NorGranite 55.40 1B BK | 55.40 1B WH | 55.40 1B BG | 45.40 1B BK | 45.40 1B WH |
| 764 mm x 494 mm | 764x494 | 594x442 (top-mount) 543x393 (undermount) | 594x442 (top-mount) 543x393 (undermount) | 594x442 (top-mount) 543x393 (undermount) | 518x442 (top-mount) 468x390 (undermount) | 518x442 (top-mount) 468x390 (undermount) |
| 780 mm X 510 mm | 780x510 | 610x460 | 610x460 | 610x460 | 533x457 | 533x457 |
| Top-mount | Top-mount | Top-mount/undermount | Top-mount/undermount | Top-mount/undermount | Top-mount/undermount | Top-mount/undermount |
| Quartz composite | Quartz composite | Quartz composite | Quartz composite | Quartz composite | Quartz composite | Quartz composite |
| 7 | 7 | 7 | 7 | 7 | 7 | 7 |
| White | Beige | Black | White | Beige | Black | White |
| 1 | 1 | 1 | 1 | 1 | 1 | 1 |
| Square | Square | Square | Square | Square | Square | Square |
| No | No | No | No | No | No | No |
| No, internal lip | No, internal lip | No | No | No | No | No |
| Round 3 1/2" | Round 3 1/2" | Round 3 1/2" | Round 3 1/2" | Round 3 1/2" | Round 3 1/2" | Round 3 1/2" |
| 1 | 1 | 1 | 1 | 1 | 1 | 1 |
| Yes | Yes | Yes | Yes | Yes | Yes | Yes |

| 4093 | 4091 | 4092 | 4094 |
|----------------------|----------------------|----------------------|----------------------|
| 8435025740938 | 8435025740914 | 8435025740921 | 8435025740945 |
| 70.40 1C R10 CP | 50.40 1C R10 CP | 45.40 1C R10 CP | 40.40 1C R10 CP |
| 705x405 | 505x405 | 455x405 | 405x405 |
| 740x440x200 | 540x440x200 | 490x440x200 | 440x440x200 |
| Top-mount/undermount | Top-mount/undermount | Top-mount/undermount | Top-mount/undermount |
| 1 | 1 | 1 | 1 |
| SS | SS | SS | SS |
| 1 | 1 | 1 | 1 |
| Square | Square | Square | Square |
| No | No | No | No |
| Round 3 1/2" | Round 3 1/2" | Round 3 1/2" | Round 3 1/2" |







CATA ELECTRODOMÉSTICOS S.L.

Tlf: +34 938 594 100.- Fax +34 938 594 101.

www.cata.es - www.cnagroup.es - cna@cnagroup.es

Headquarters: c/ Anabel Segura, 11, Edif. A, 3a pl. 28108. Alcobendas (Madrid. Spain)

Factory: c/ del Ter, 2, Apdo. 9. 08570. Torelló (Barcelona. Spain)

CNA
group

cata 

edesa

 NODOR

Apelson