



C GLASS



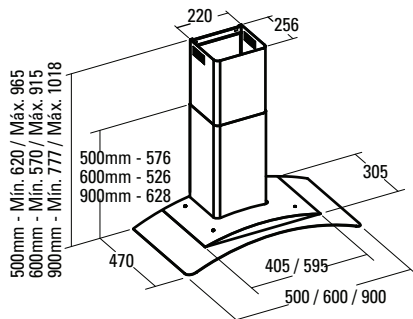
Lámparas
2 x 40W



Mechanical
Panel



- **Mechanical Control Panel**
- 3 extraction levels
- Extraction power (according to UNE/EN 61591)
maximum: **400m³/h** - minimum: 210m³/h
- Minimum sound power: **50dB(A)**, maximum: 62dB(A)
- Motor K7 PLUS. Extra silent. Maximum energy consumption **95W**
- **Lamps lighting**
- Easy-to-install system
- Dishwasher-washable filters
- Stainless steel finishing and glass
- Max. Pressure 200 Pa
- 150/125 mm Outlet diameter
- Energy Class: E



C GLASS 900

Code **02008206**

EAN Code **8422248048132**



C GLASS 700

Code **02006206**

EAN Code **8422248048125**



C GLASS 600

Code **02005208**

EAN Code **8422248054072**

