

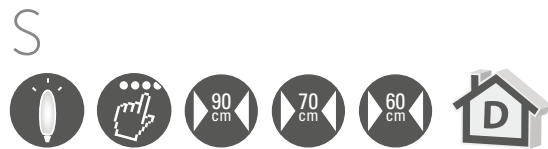
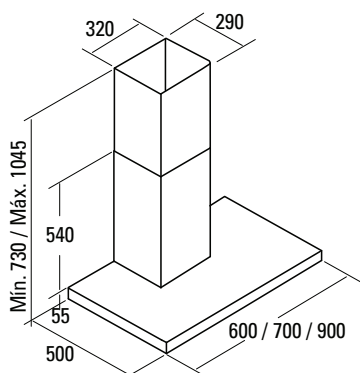


**S PLUS 900 X**  
Code **02029303**  
EAN Code **8422248068062**

**S PLUS 700 X**  
Code **02021305**  
EAN Code **8422248068116**

**S PLUS 600 X**  
Code **02060306**  
EAN Code **8422248068123**

- **Mechanical Control Panel**
- 3 extraction levels
- Extraction power (according to UNE/EN 61591)  
maximum: **645m³/h** - minimum: 385m³/h
- Minimum sound power: **57dB(A)**, maximum: 71dB(A)
- Motor M3R. Extra silent. Maximum energy consumption **270W**
- **Halogen lighting**
- Easy-to-install system
- Dishwasher-washable filters
- Finished in Stainless steel
- Max. Pressure 430 Pa
- 150/125 mm Outlet diameter
- Energy Class: D



**S 900**  
Code **02029302**  
EAN Code **8422248048170**

**S 700**  
Code **02021302**  
EAN Code **8422248048187**

**S 600**  
Code **02060302**  
EAN Code **8422248048194**

- **Mechanical Control Panel**
- 3 extraction levels
- Extraction power (according to UNE/EN 61591)  
maximum: **400m³/h** - minimum: 210m³/h
- Minimum sound power: **50dB(A)**, maximum: 62dB(A)
- Motor K7 PLUS. Extra silent. Maximum energy consumption **95W**
- **Halogen lighting E-14**
- Easy-to-install system
- Dishwasher-washable filters
- Finished in Stainless steel
- Max. Pressure 200 Pa
- 150/125 mm Outlet diameter
- Energy Class: D

