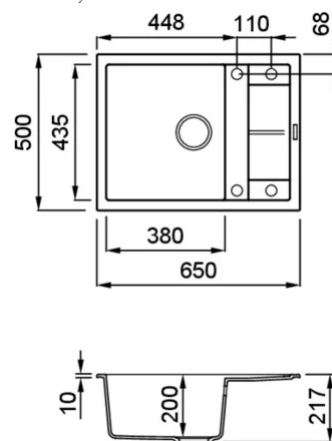


UNICO 125



Méretrajz



0

Jelleg	1 medence csepegtetővel
Modell	UNICO 125
Székrenyméret (mm)	500
Béépíthetőség	Munkalapra szerelhető
Méret (mm)	650 x 500
Kivágási méret (mm)	630 x 480
Number of Bowls	1
Medence mélység (mm)	200



KERATEK^{plus}
CERAMIC NANOTECHNOLOGY CN6



LKU12597 K97
8032557023982



LKU12596 K96
8031873028633



LKU12593 K93
8032557027249



LKU12586 K86
8031873028572

GRANITEK[®]
NATURAL GRANITE EFFECT

METAL



LMU12573 M73
8031873110437



LMU12579 M79
8031873110567

MATT



LGU12540 G40
8032557036371



LGU12543 G43
8032557036388



LGU12548 G48
8032557036395



LGU12568 G68
8032557036418



LGU12578 G78
8032557067276

CLASSIC



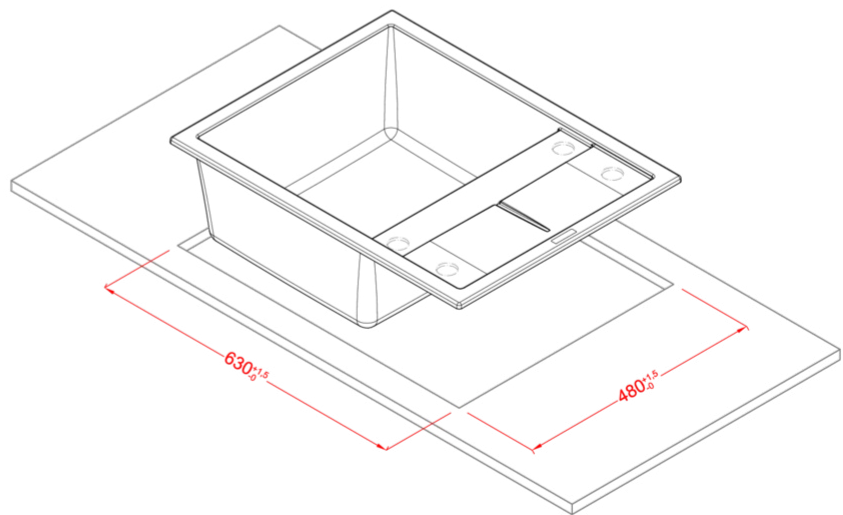
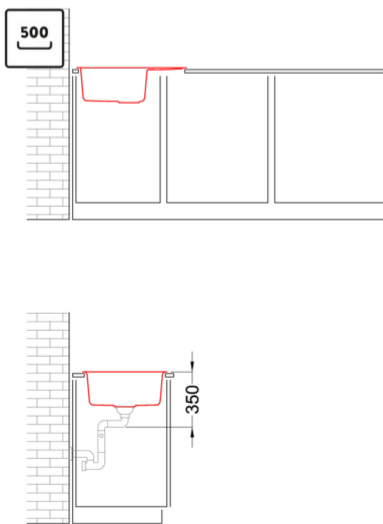
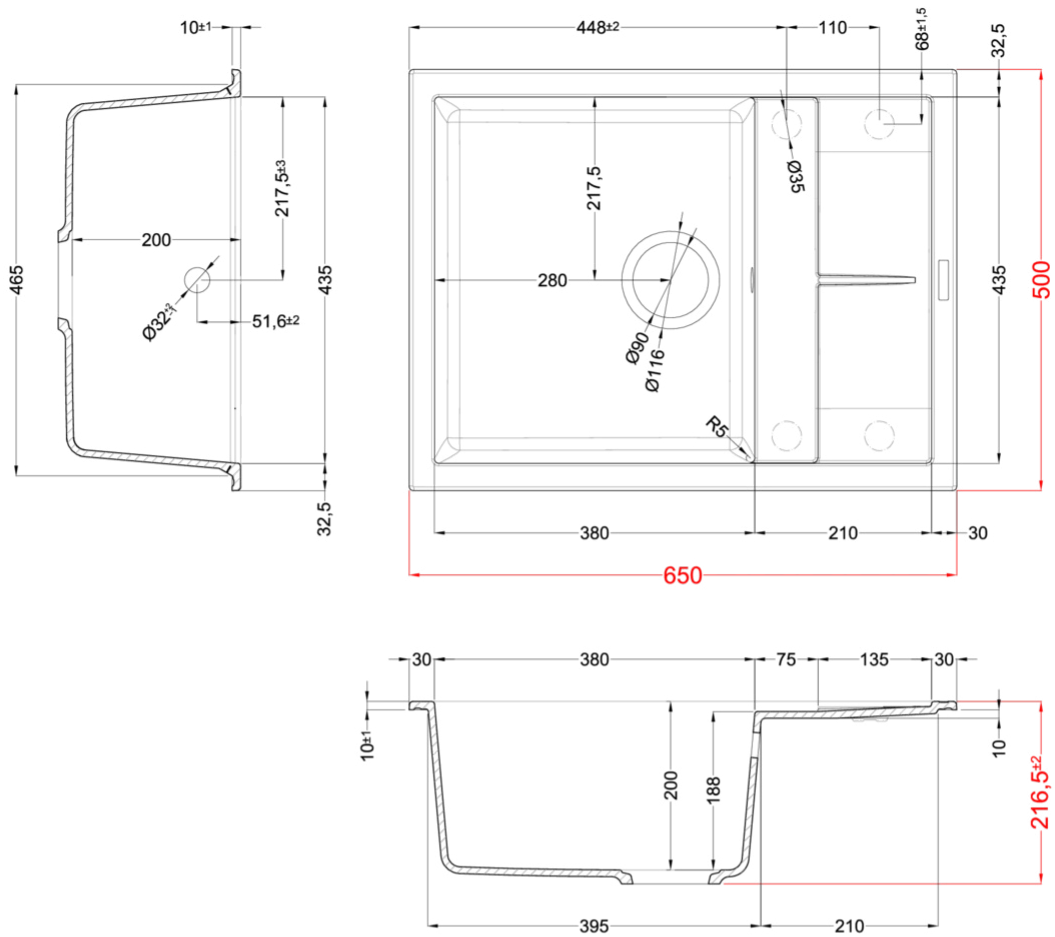
LGU12551 G51
8032557038153



LGU12559 G59
8032557038160



LGU12562 G62
8032557036401



UNICO 125

general tolerances where not expressly communicated $\pm 0.2\%$
connection dimensions according to UNI EN 695